

BOOSTER POWER SUPPLY OPTION ASSEMBLY 46S02371-0191 SCHEMATIC 45S02371-0191

DESCRIPTION

This option is one of a series available for Louis Allis Saber DC drives. It is intended for use to back up the power supply in the main drive when fully loaded.

The modification uses a 115 VAC 50/60HZ single phase input to produce:

A. Unregulated +24 VDC and -24 VDC (150mA max) with maximum ripple voltage of 1.0V peak-to-peak.

B. Regulated +15 VDC and -15 VDC (150mA max) with maximum ripple voltage of 100mV peak-to-peak.

Any options to the right of the Booster Power Supply (closer to the main drive) draw power from the main drive. Options to the left of the Booster Power Supply

(further from the main drive) draw power from this option via the 40 pin data bus (12CONN).

INSTALLATION

WARNING

REMOVE ALL INPUT POWER TO THE DRIVE BEFORE INSTALLING OPTION COMPONENTS.

See Figure 1. Install the option in the following manner:

1. Install PVC mounting track (L.A. part no. 43T1501-0000) to panel where option is to be mounted, using appropriate hardware.
2. Install option assembly by pressing firmly into mounting track.

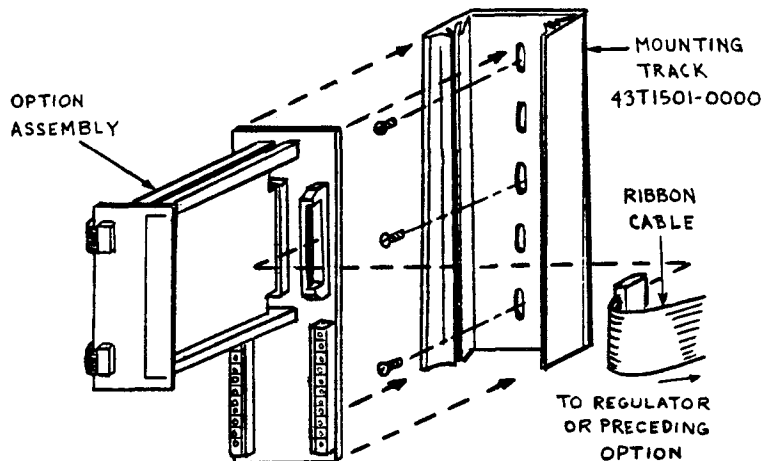


Figure 1.

CHANGE RECORD

1	STD-2718	5-17-83	

DWG. NO. 02Y00025-0136
SHEET 1 OF 2
EFF. 7/31/83 (N)

3. Using 40 conductor ribbon, fabricate and install a double-ended ribbon cable of sufficient length to fit from 12CONN on the right side of the option to 12CONN on the Main PCB in the regulator power cube, or to 12CONN on the left side of a previously installed option.

INTERCONNECTION

Connect 115 VAC input to 1TB (7) and (8) on this option.

The following outputs are available at 1TB:

VOLTAGE	TERMINAL
+24 VDC	1
-24 VDC	2
+15 VDC	3
-15 VDC	4
Common	5

ADJUSTMENTS

There are no adjustments for this option.

TROUBLESHOOTING

If the required voltages cannot be obtained, check fuse 1F on the Option I/O PCB.

OPTION RECORDS

After completing installation of this option, insert this instruction immediately behind the front cover of the Controller instruction manual.

DWG. NO. 02Y00025-0136
SHEET 2 OF 2
EFF. 7/31/83 (N)