

For use with Lancer JR. Type L1
General Purpose AC Inverter Drives,
rated 3/4-5HP/230 VAC and 1-5HP/
460 VAC.

DYNAMIC BRAKING RESISTOR MOD KIT

MODEL NO.: 02314 02315 02320 02321
HP/VOLTAGE: 3/4, 1, 2/230 3, 5/230 1/460 2, 3, 5/460

Before installing this kit, a **TECHNICALLY QUALIFIED INDIVIDUAL**, who is familiar with this type of equipment and hazards involved, should **READ** this **ENTIRE INSTRUCTION SHEET**.

DESCRIPTION

This Louis Allis kit includes all the material described in Table 1. The regenerative power discharge unit is an option that allows fast deceleration on high inertia loads.

Without the Dynamic Braking (DB) unit, a fast deceleration would cause the bus voltage to rise, absorbing regenerative energy from the motor. At 125% bus voltage, the inverter shuts down (to protect the transistor power circuit) and turns on the "OV" overvoltage display. The DB unit (see Figure 1) senses the voltage rise and turns on a GTR that puts low resistance on the bus to absorb the energy before overvoltage trip.

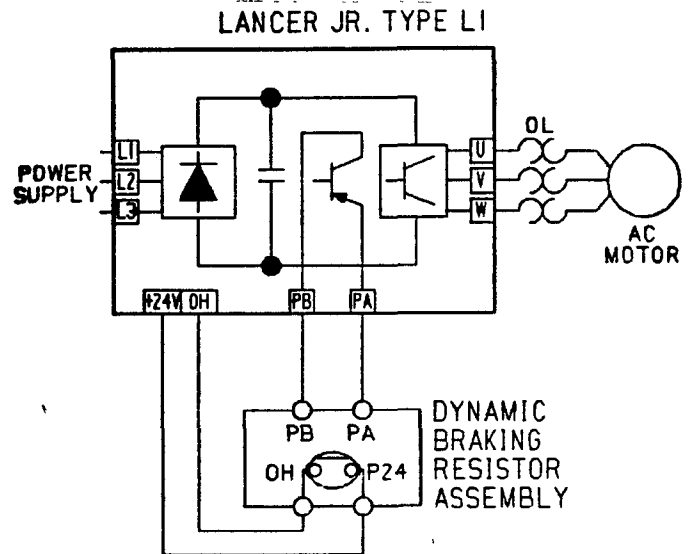


FIGURE 1. DB BLOCK DIAGRAM

TABLE 1. KIT CONTENTS

ITEM	QTY	DESCRIPTION
1	1	Dynamic Braking Resistor Assembly
2	2	Cable Tie
3	1	Outline Drawing

CHANGE RECORD

2	STD-2612	9/16/86
1	STD 2512	4/21/86 RD

DWG. NO. 02Y00025-0192
SHEET 1 OF 5
EFF. 4/16/86

If the thermostat for detecting overtemperature in the DB unit is activated and the inverter trips on overtemperature "OH", extend the deceleration time by turning the deceleration time potentiometer (8RH) counterclockwise. If the deceleration time cannot be extended for the application, the capacity of the DB resistor must be increased. Please contact the factory for assistance.

IMPORTANT

If the customer AC input voltage exceeds +10% of the nominal nameplate VAC value, the Dynamic Braking unit will be inadvertently turned on. To eliminate this possibility, the customer must either: A) reduce the AC input voltage to nominal VAC input +10%, or B) add a step-down transformer so that the AC input voltage equals the nominal VAC input +10%.

INSTALLATION

1. Disconnect all electrical power to drive.
2. Open or remove drive front cover.
3. Verify voltage has been disconnected by using a voltmeter to check for voltage at incoming power terminals.

WARNING

HAZARDOUS VOLTAGE CAN CAUSE SEVERE INJURY OR DEATH.

LOCK ALL POWER SOURCES FEEDING DRIVE IN "OFF" POSITION.

4. See Figure 2. Cut jumper J5 on the Main Control PCB.

5. Mount the Lancer JR. Type L1 chassis, if not already in place.

6. Remove top cover from the Lancer JR. Type L1; save hardware. Discard the cover.

7. Remove front louver panel from dynamic braking resistor assembly. Set aside panel and hardware for later reinstallation.

8. Mount dynamic braking resistor assembly to the top of the Lancer JR. Type L1 using existing hardware. See Figure 1.

9. See Figure 4. Route tagged lead wires from dynamic braking resistor assembly through the Lancer JR. Type L1 to terminal boards.

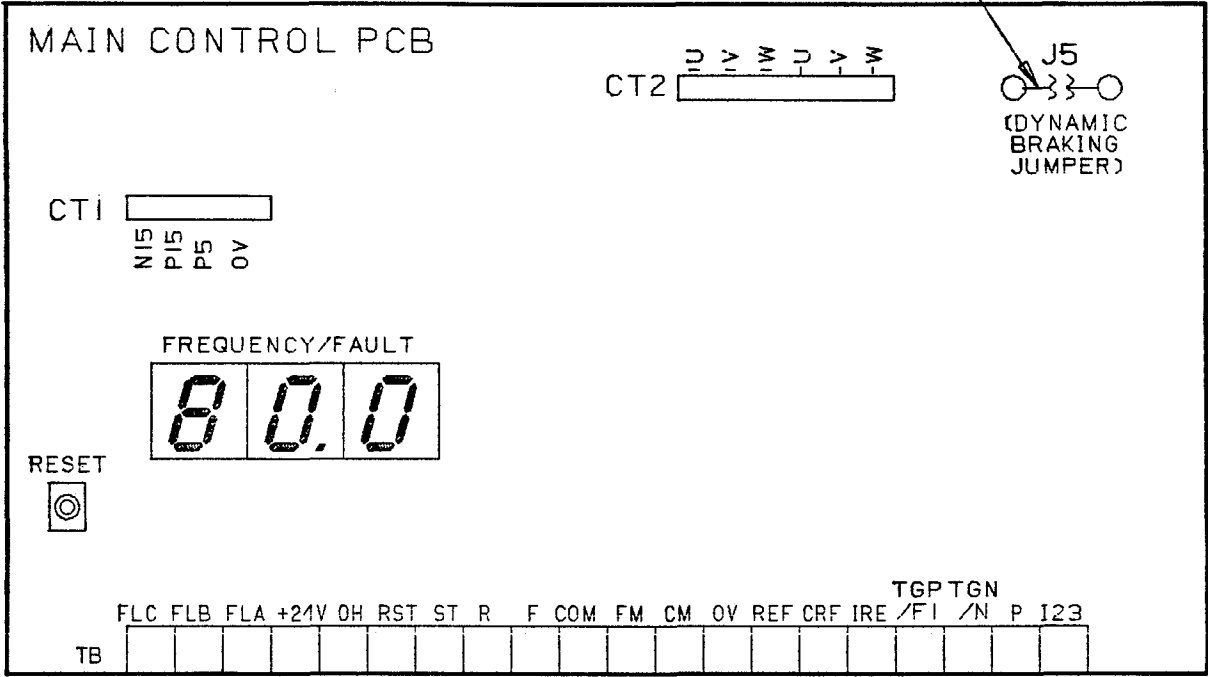
10. Check inverter instruction manual and other mod kit instruction sheets to ensure all wiring required for proper operation has been completed.

11. Close and secure inverter cover. Reinstall front louver panel on dynamic braking resistor assembly.

12. Insert the outline drawing provided in this mod kit in place of any outline drawing in the inverter instruction manual, then place this instruction sheet immediately behind the front cover of the inverter instruction manual.

This completes installation of this mod kit.

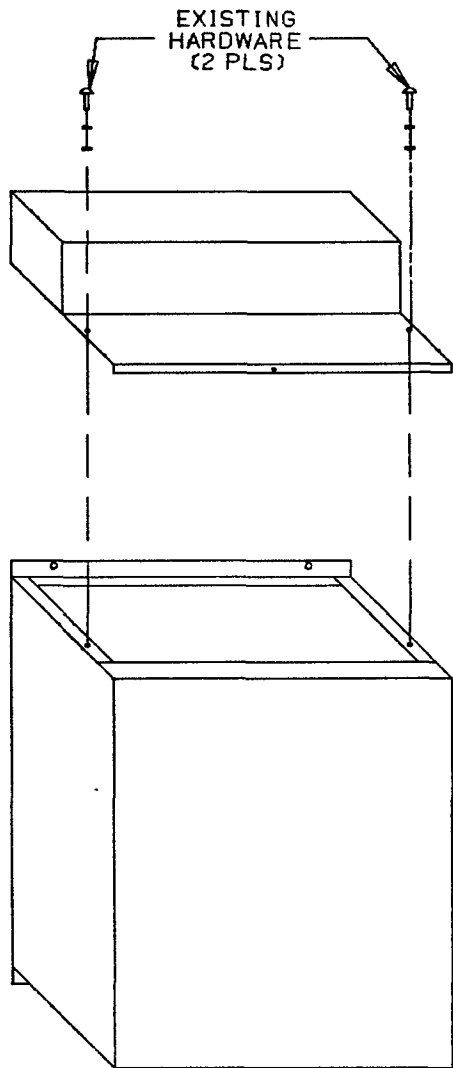
DWG. NO. 02Y00025-0192
SHEET 2 OF 5
EFF. 4/16/86



TD.1.2Y25.0192.FIG2

FIGURE 2.

DWG. NO. 02Y00025-0192
 SHEET 3 OF 5
 EFF. 4/16/86

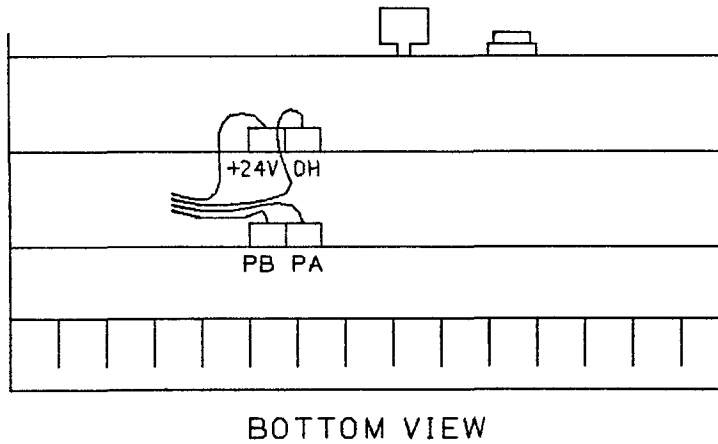
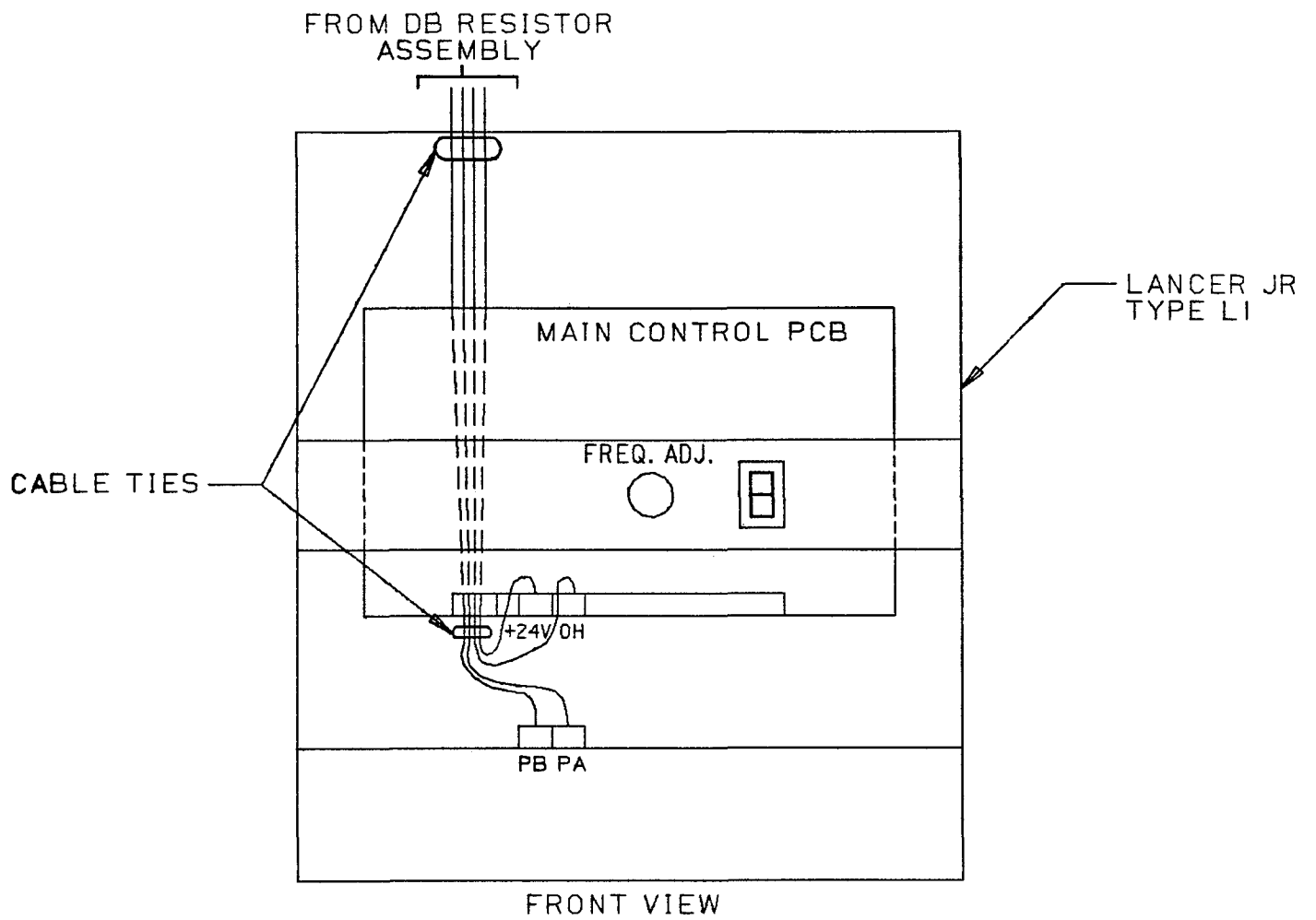


LANCER JR.
TYPE LI

TD.1.2Y25.0192.F163

FIGURE 3.

DWG. NO. 02Y00025-0192
SHEET 4 OF 5
EFF. 4/16/86



TD 1.2Y25 0192 FIG4

FIGURE 4.

DWG. NO. 02Y00025-0192
SHEET 5 OF 5
EFF. 4/16/86

