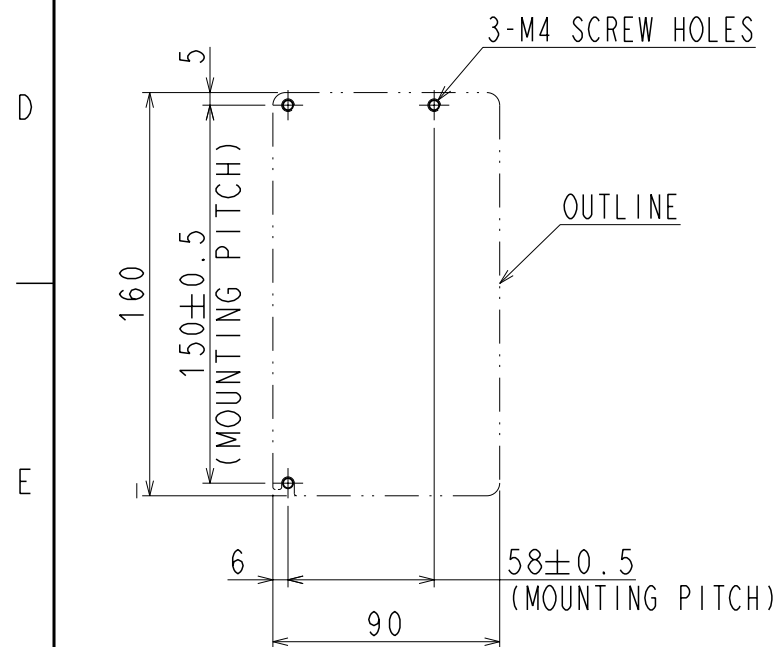
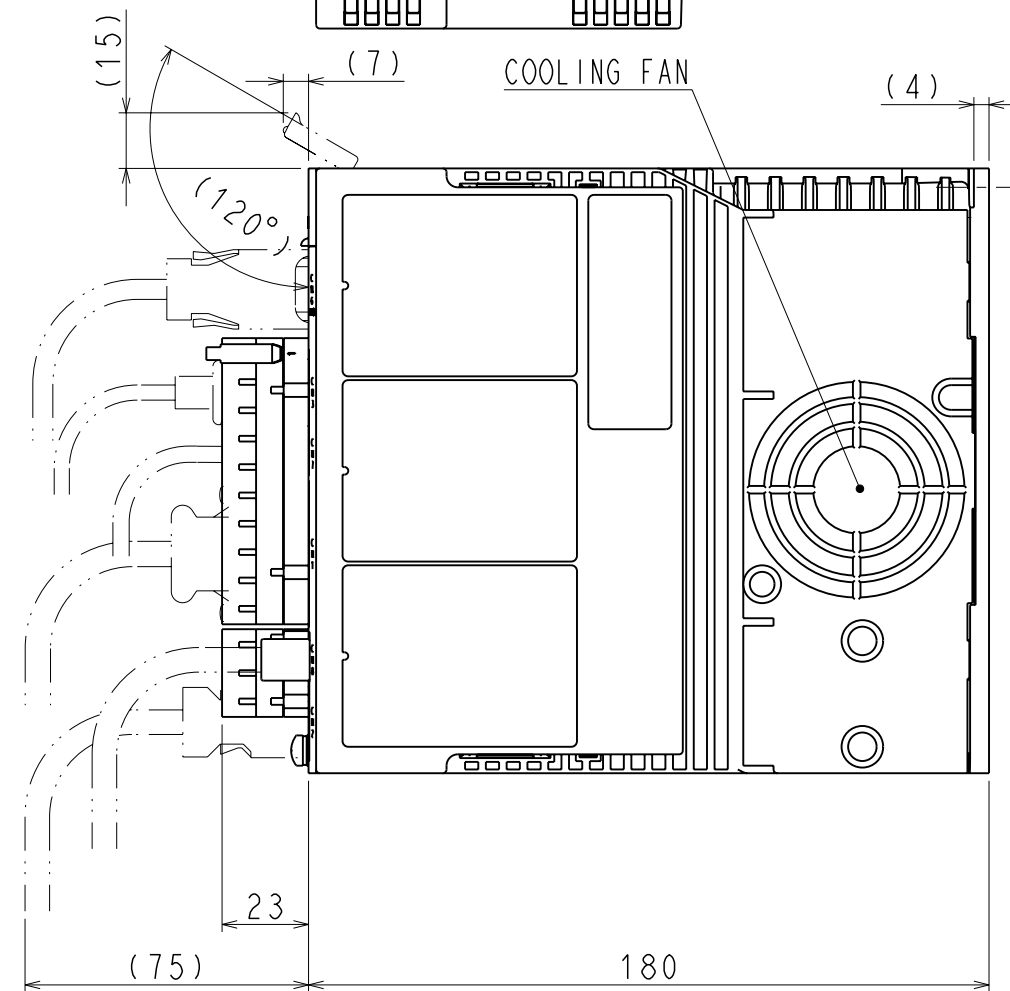
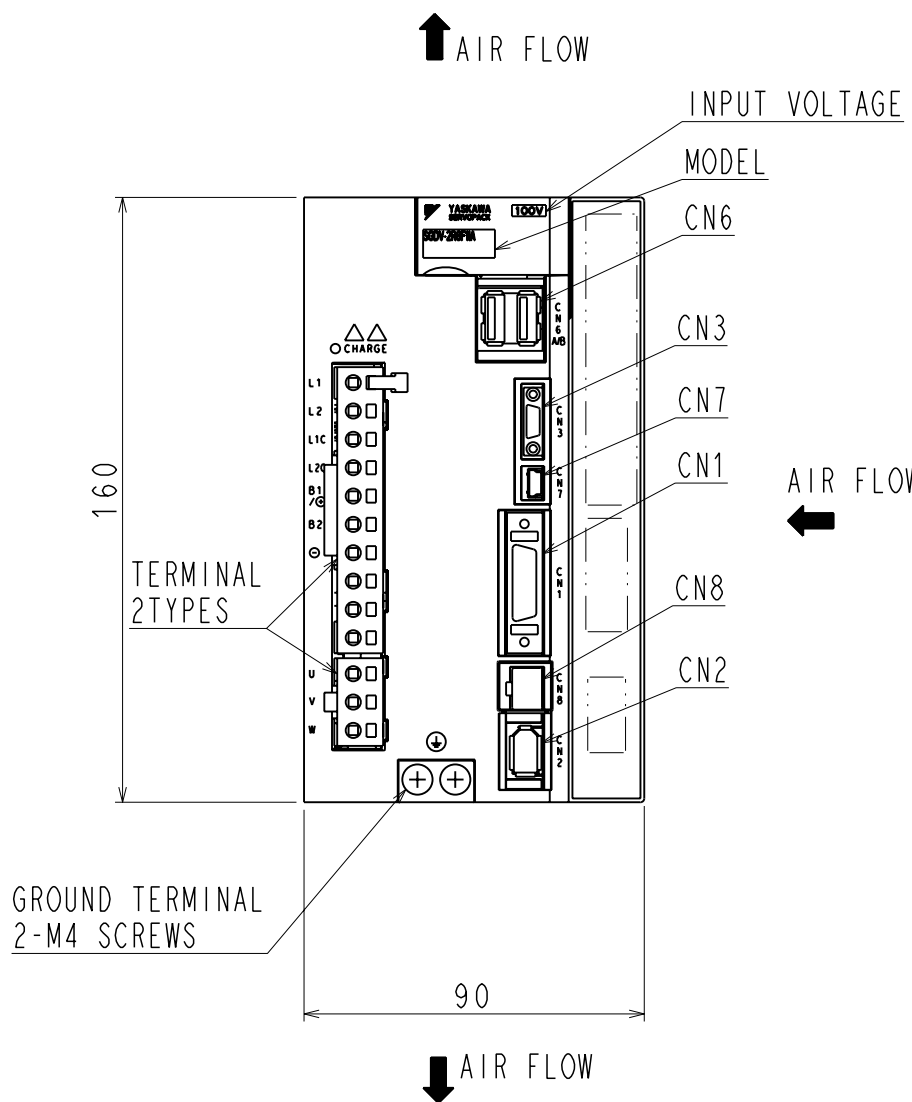
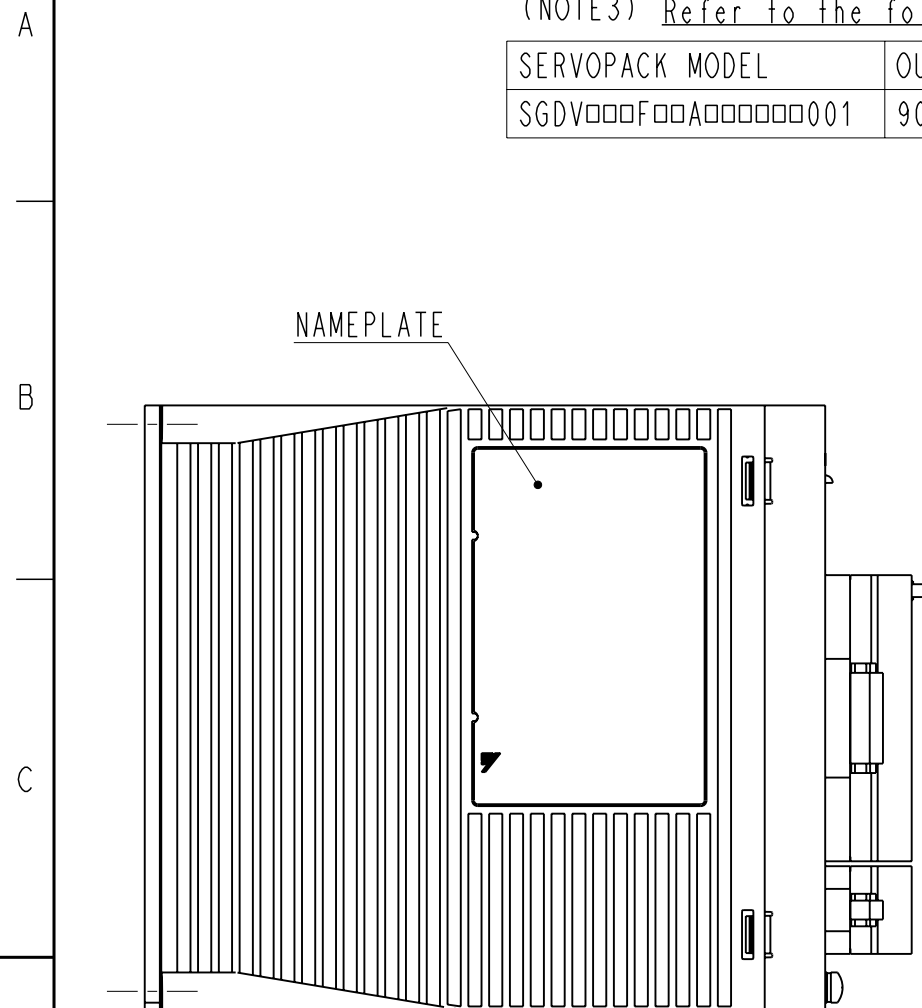


DWG.NO. 900-027-746-2/2

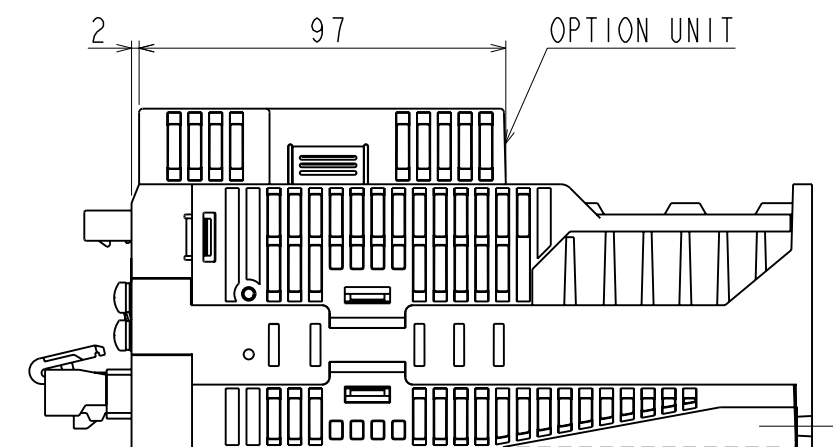
(NOTE1) This drawing is the base-mounted type.
 (NOTE2) Refer to the USER'S MANUAL for a standard for installation.
 (NOTE3) Refer to the following drawing for the connector of the option part.

SERVOPACK MODEL	OUTLINE DRAWING OF OPTION UNIT	OPTION CARD
SGDV□□□F□□A□□□□□□001	900-018-923	FULLY CLOSED I/F CARD



PART No.	MODEL	NUMBER OF CONTACTS	MANUFACTURER
CN1	10226-52A2PL	26	SUMITOMO 3M LIMITED
CN2	53984-0671	6	MOLEX JAPAN CO.,LTD.
CN3	HDR-EC14LFDTN-SLE-PLUS	14	HONDA TSUSHIN KOGYO CO.,LTD.
CN6	1903815-1	8	Tyco Electronics AMP K.K.
CN7	MNC23-5K5H00	5	ADVANCED-CONNECTEK INC.
CN8	1981080-1	8	Tyco Electronics AMP K.K.

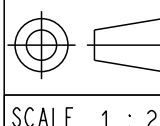
The above or the equivalent is used.



MOUNTING HOLE DIAGRAM

APPROX.MASS:1.6kg
 DIMENSION IN mm

REFERENCE ONLY



TITLE OUTLINE DRAWING OF SERVOPACK
 SGDV2R8F□□A*
 (□□:11,15)(* :OPTION CODE)

DWG. NO.

900-027-746

REV.

2/2

SIZE A3