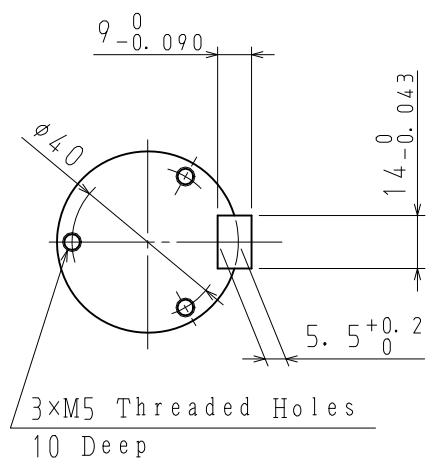
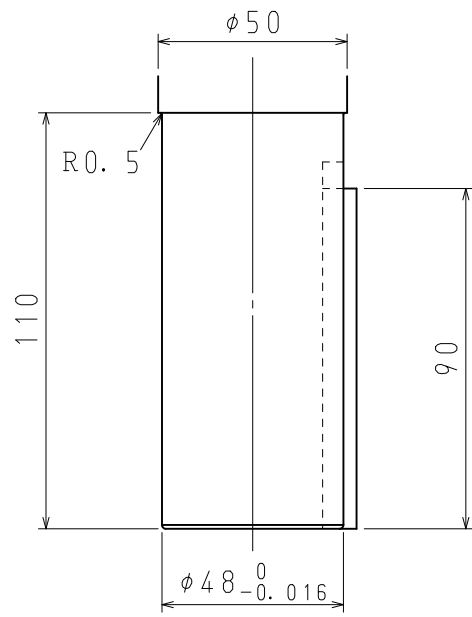
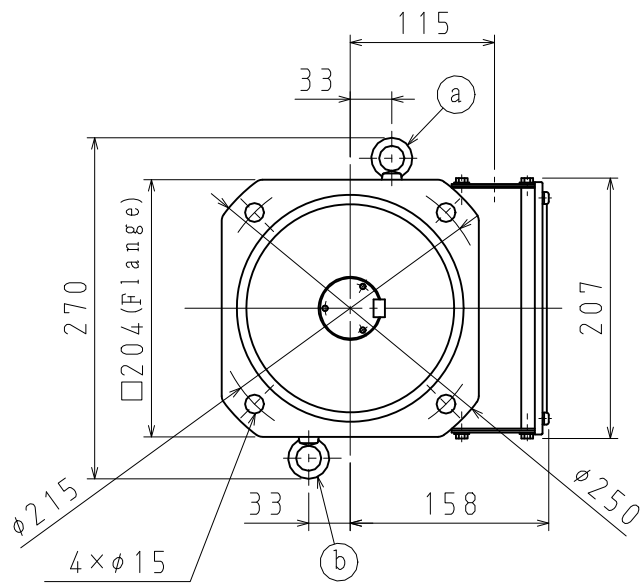
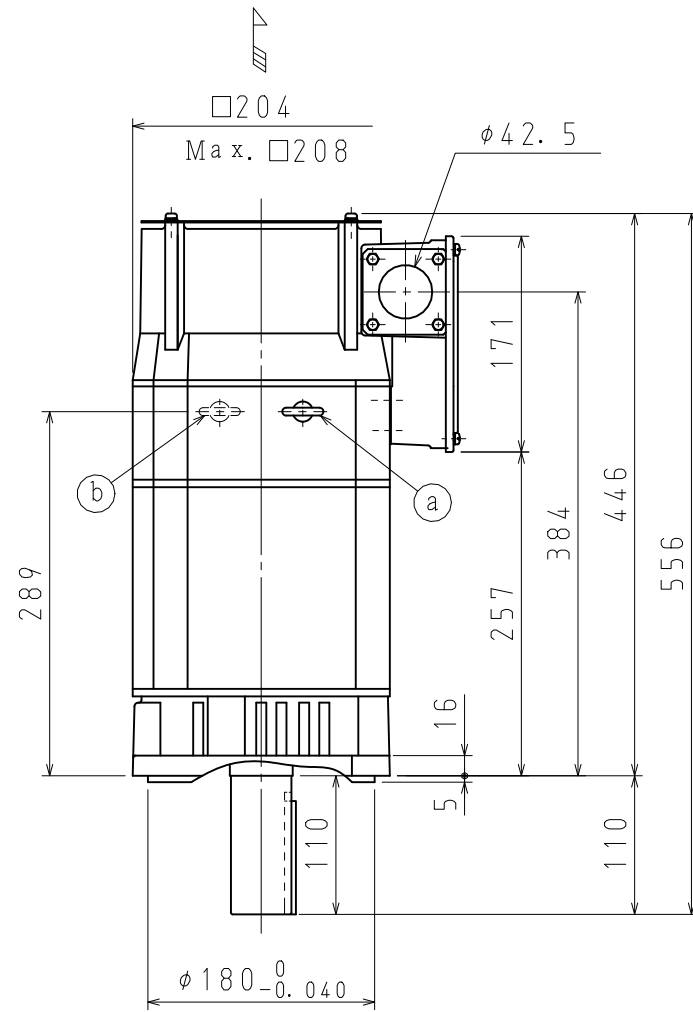


DWG. NO. 900-074-138

All dimensions are in mm.



Detail of Shaft Extension



NOTES.

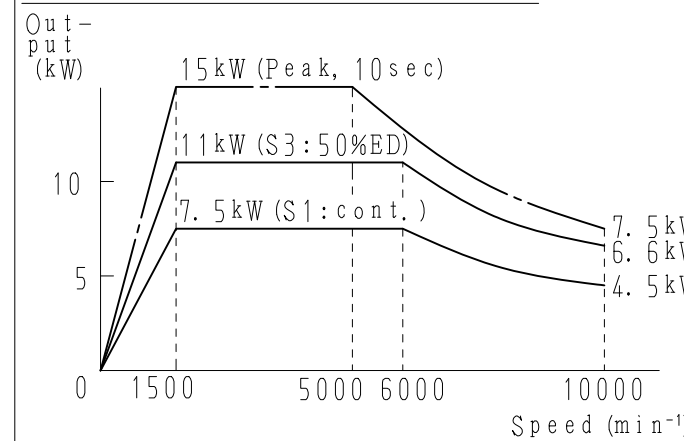
- Arrow (\swarrow) indicates the direction of cooling air.
- Without OIL SEAL.

Customer	
Estimate No.	
Order No.	
Item No.	
Application	

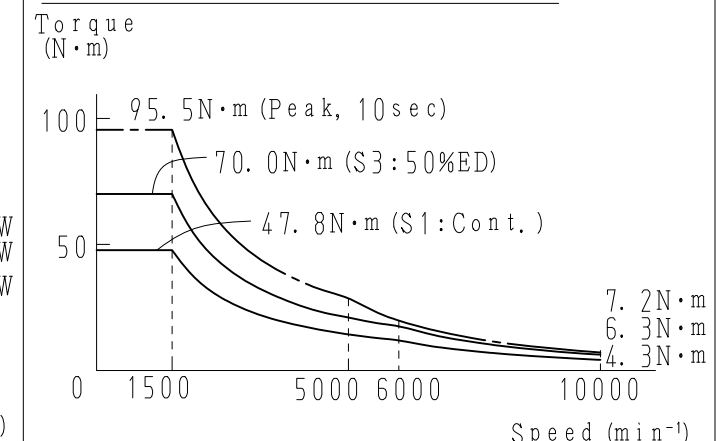
Specification of Motor

Type	UAKAJ-11CZ100E	Cooling Method	Externally Fan-cooled Type	
Voltage	400 V	Fan	Voltage 400/400 V	
Output	S3:50%ED 11 kW	Frequency	50/60 Hz	
	S1:Cont. 7.5 kW	Input	80/104 W	
Poles	4 P	Current	0.15/0.15 A	
Speed	Base 1500 min ⁻¹	Thermal Class	F	
	Maximum 10000 min ⁻¹	Ambient Temperature	0~40°C	
	Minimum 40 min ⁻¹	Vibration	V5 or Below	
Inertia ($\frac{GD^2}{4}$)	0.026 kg·m ²	Noise	75dB (A) or Below	
Over Load Capacity	Refer to the graph at the bottom.	Approx. Mass	59kg	
Allowable Radial Load	1470N at the shaft end	Painting	Munsell Notation N1.5	
Protective Enclosure	IP44	Inverter Type	Σ-V-SD, CACR-JU033D2A	
Vibration Resistance	24.5m/sec ² or Below	Output	11/7.5 kW	
Characteristics Tolerances (T. I. R)	Maximum Face Runout	0.04	Series	Standard
	Maximum Permissible Eccentricity of Mounting Rabbet	0.04	Encoder Type	UTMSI-10AAGAZA
	Shaft Runout at the End	0.022	Dimensions of terminal box	900-111-516

Output-Speed Characteristics



Torque-Speed Characteristics



Remarks

•Peak power is the reference characteristic to calculate acceleration time, not guaranteed characteristic.

F

Feb. 7, '17
Jun. 15, '11

K. Maruyama/M. Matsumoto
K. Maruyama/M. Matsumoto



SCALE 1 : 6

DRAW. T. Inoue
CHECK H. Shimono
APPR. A. Sato

TITLE Dimensions of AC Spindle motor

DATE Dec. 09, '09

DWG. NO.

900-074-138

REV.

2

1

2

3

6

7

SIZE A3