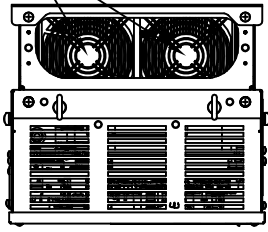
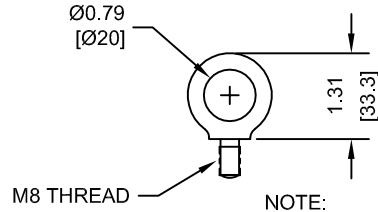


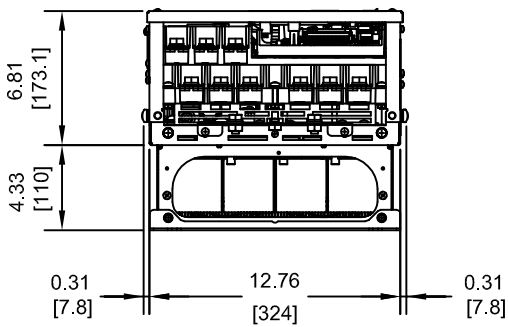
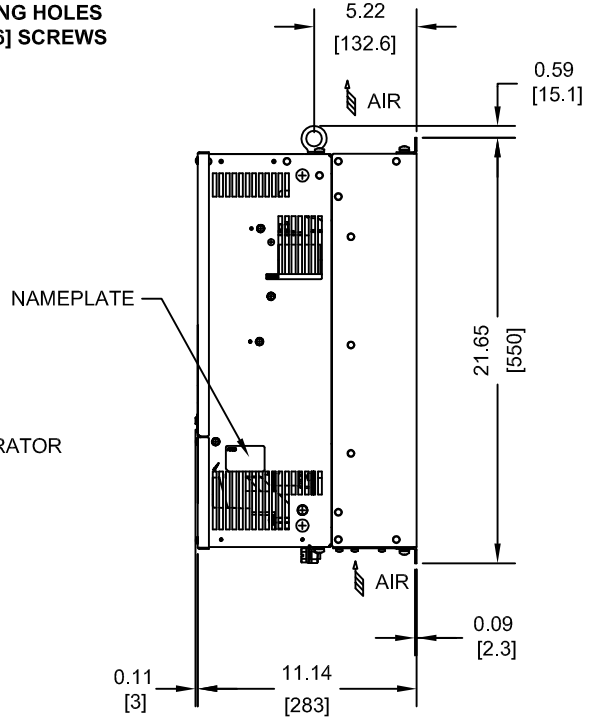
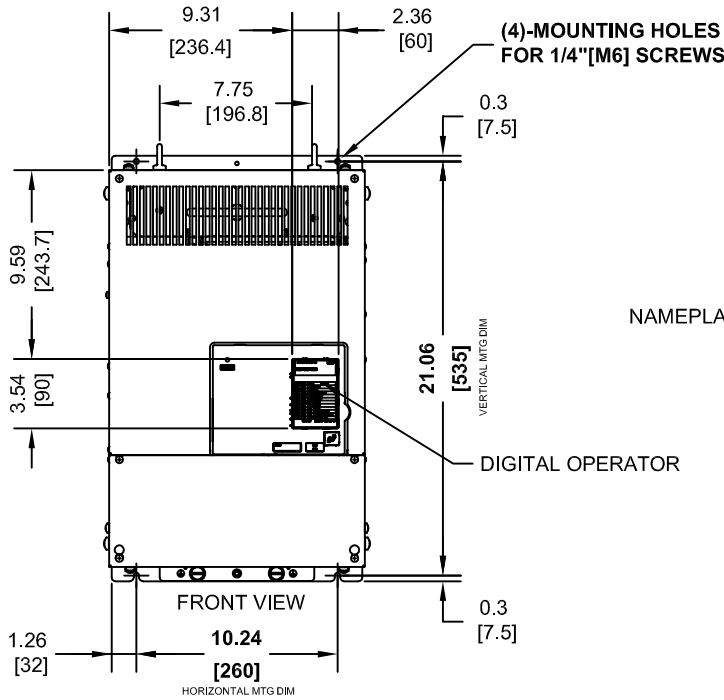
(2) EXTERNAL COOLING FANS



LIFTING AND EYEBOLT DETAILS



NOTE:  
SPREADER BAR REQUIRED TO AVOID DAMAGE DURING LIFTING



MODEL # CIMR-LE	VOLTAGE THREE-PHASE (VAC)	OUTPUT CURRENT (A) 3 MIN., 50% ED	WEIGHT LBS (Kg)	HEAT LOSS (W) Fc=5kHz		
				INT	EXT	TOT
2A0181DXX	200/240	181.3	81.4 (37)	306	816	1122
2A0225DXX	200/240	225.0	83.6 (38)	378	976	1354
4A0140DXX	380/480	140.0	90.2 (41)	416	908	1324
4A0188DXX	380/480	187.5	92.4 (42)	580	1340	1920

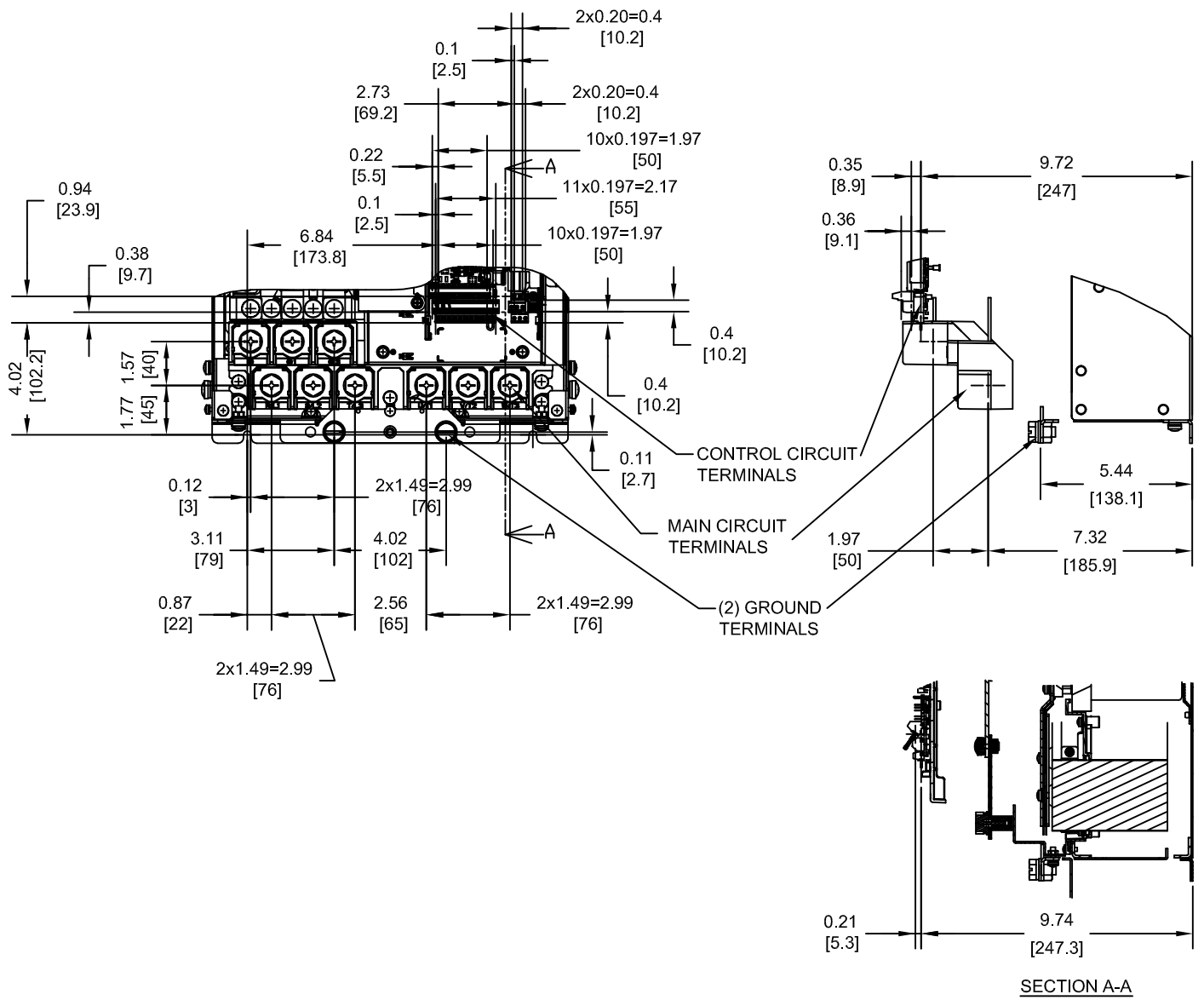
NOTE:  
XX DENOTES AA-ZZ

INT=INTERNAL COMPONENTS  
EXT=EXTERNAL HEATSINK  
TOT=TOTAL

FOR ADDITIONAL DETAILS AND SPECIFICATIONS, CONSULT MANUAL

TOLERANCES / REFERENCES:		<p>THIS DOCUMENT AND INFORMATION CONTAINED IN IT ARE CONFIDENTIAL, AND CANNOT BE COPIED OR DISCLOSED IN WHOLE OR IN PART WITHOUT THE EXPRESS WRITTEN CONSENT OF YASKAWA AMERICA, INC.</p>	DRAWN: J. MATTAS	DATE: 11-13-13	TITLE: L1000E DIMENSION DRAWING FRAME SIZE 10 IP00 ENCLOSURE 2A0181-0225 AND 4A0140-0188	
			CHECKED: J. PIOTROWSKI	DATE: 11-24-13		
			TECH: L. UDDIN	DATE: 12-2-13		
			APPROVED: J. CAIRO	DATE: 12-21-13		
UNITS: IN [mm]	SCALE: 1:10	ORIGINAL DESIGN: -	DATE: -	SIZE: A	REVISION: R00	PAGE: 1 of 3
				DRAWING #: <b>DD.L1KE.FR10.IP00</b>		

TERMINAL AND WIRING DETAILS (SCALE 1:6)



TERMINAL AND WIRE SPECIFICATIONS FOR  
MAIN CIRCUIT AND GROUND

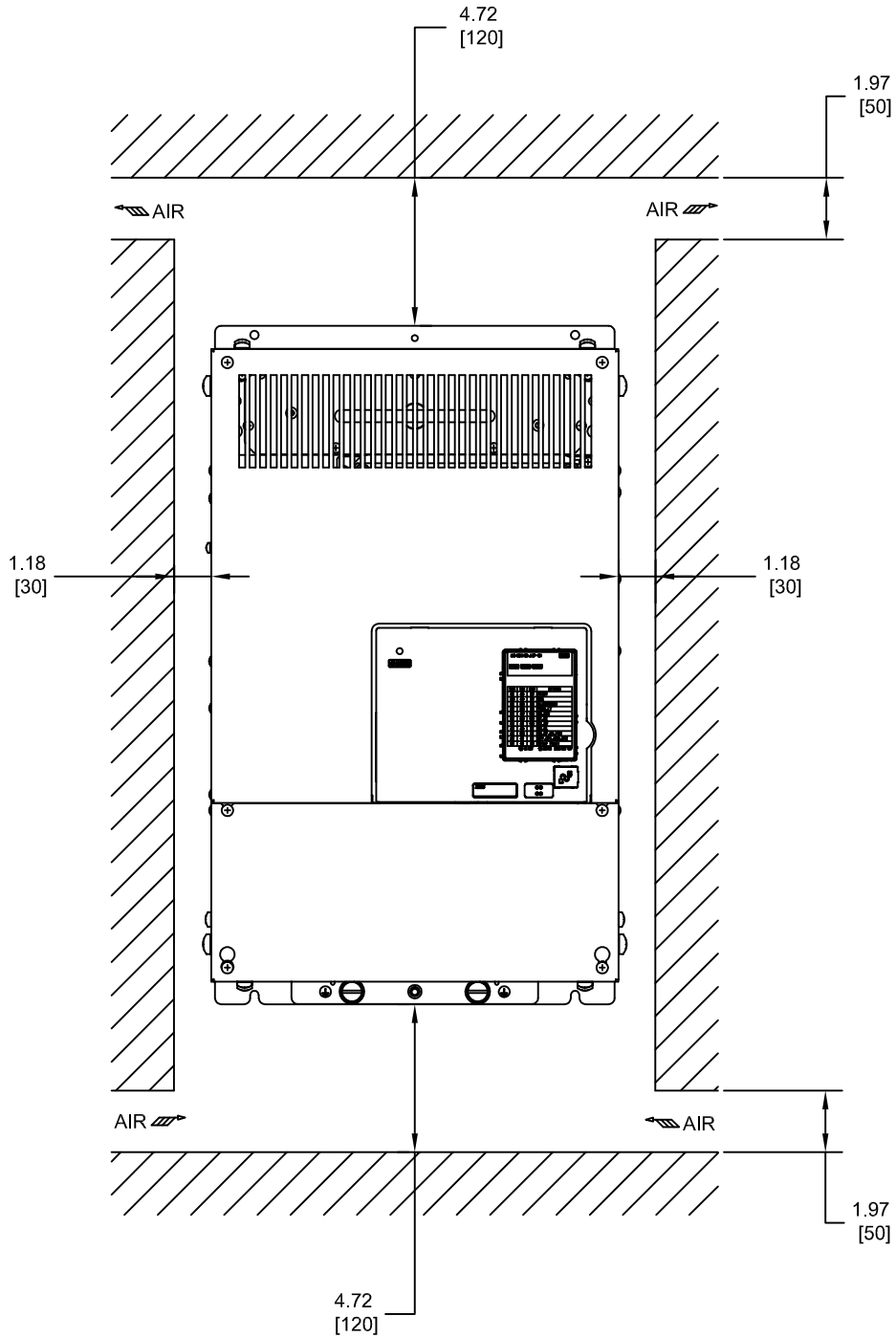
MODEL # CIMR-LE	TERMINAL SYMBOL	TERMINAL SCREW	CLAMPING TORQUE lb.in.(N.m.)	WIRE RANGE AWG(mm <sup>2</sup> )
2A0181 2A0225 4A0140 4A0188	R/L1, S/L2, T/L3	M10	159.3 TO 203.6 (18 TO 23)	1/0-4/0 (53.5-107.2)
	U/T1, V/T2, W/T3			
	⊖, ⊕1, ⊕3	M10	159.3 TO 203.6 (18 TO 23)	SEE NOTE
	⊕			

NOTE: REFER TO APPLICABLE CODES FOR PROPER WIRE TYPE AND SIZE


FOR ADDITIONAL DETAILS AND SPECIFICATIONS, CONSULT MANUAL

TOLERANCES / REFERENCES:			DRAWN: J. MATTAS CHECKED: J. PIOTROWSKI TECH: L. UDDIN APPROVED: J. CAIRO ORIGINAL DESIGN: -	DATE: 11-13-13 DATE: 11-24-13 DATE: 12-2-13 DATE: 12-21-13 DATE: -	TITLE: L1000E DIMENSION DRAWING FRAME SIZE 10 IP00 ENCLOSURE 2A0181-0225 AND 4A0140-0188 SIZE: A REVISION: R00 PAGE: 2 of 3
UNITS: IN [mm]	SCALE: BY VIEW		THIS DOCUMENT AND INFORMATION CONTAINED IN IT ARE CONFIDENTIAL, AND CANNOT BE COPIED OR DISCLOSED IN WHOLE OR IN PART WITHOUT THE EXPRESS WRITTEN CONSENT OF YASKAWA AMERICA, INC.	DRAWING #: <b>DD.L1KE.FR10.IP00</b>	

MINIMUM INSTALLATION CLEARANCES (SCALE 1:6)



FOR ADDITIONAL DETAILS AND SPECIFICATIONS, CONSULT MANUAL

TOLERANCES / REFERENCES:		 THIS DOCUMENT AND INFORMATION CONTAINED IN IT ARE CONFIDENTIAL, AND CANNOT BE COPIED OR DISCLOSED IN WHOLE OR IN PART WITHOUT THE EXPRESS WRITTEN CONSENT OF YASKAWA AMERICA, INC.	DRAWN: J. MATTAS	DATE: 11-13-13	TITLE: L1000E DIMENSION DRAWING FRAME SIZE 10 IP00 ENCLOSURE 2A0181-0225 AND 4A0140-0188		
			CHECKED: J. PIOTROWSKI	DATE: 11-24-13			
			TECH: L. UDDIN	DATE: 12-2-13			
			APPROVED: J. CAIRO	DATE: 12-21-13			
UNITS: IN [mm]	SCALE: BY VIEW	ORIGINAL DESIGN: -	DATE: -	DRAWING #: DD.L1KE.FR10.IP00	SIZE: A	REVISION: R00	PAGE: 3 of 3