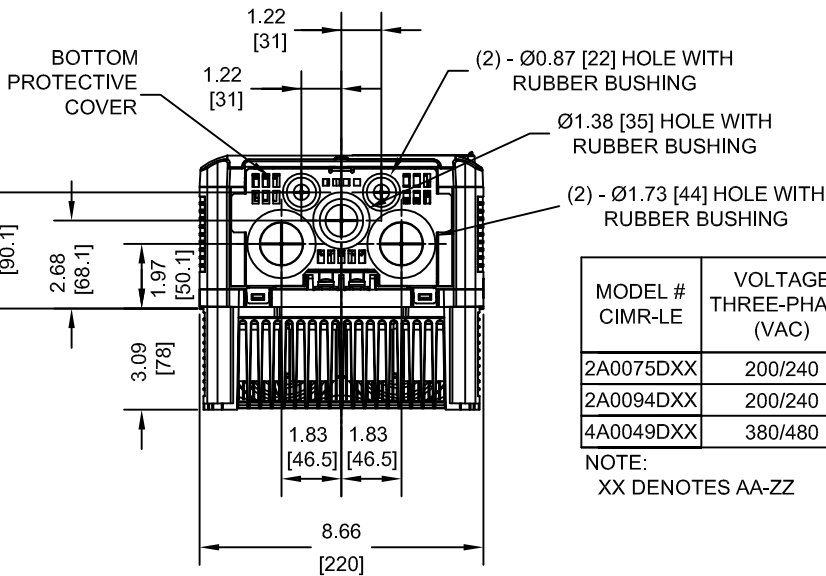
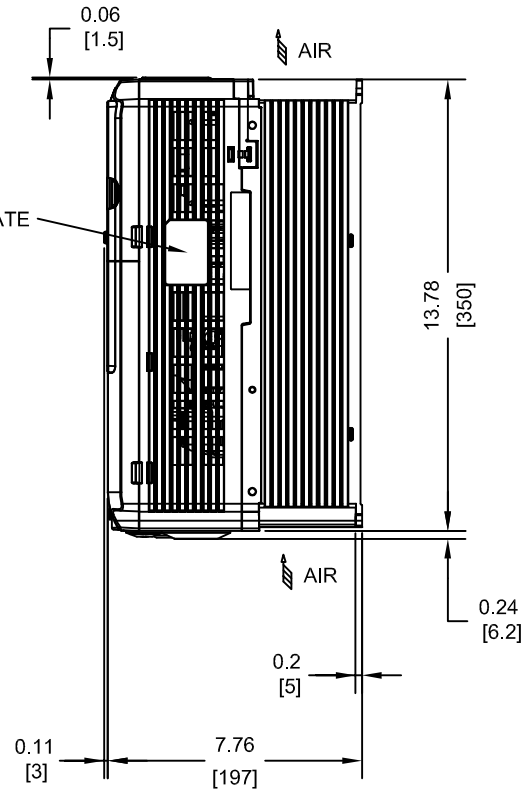
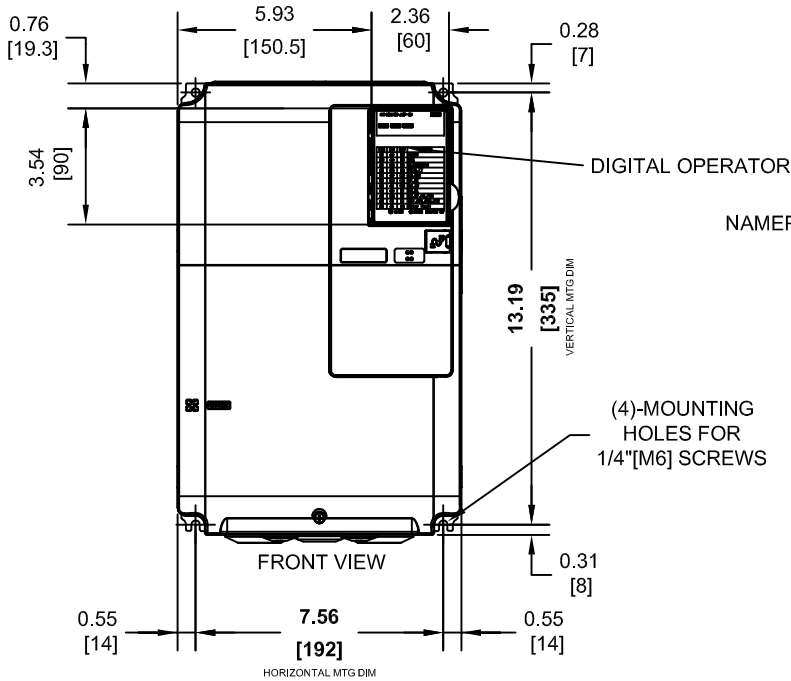


NOTE:
REMOVE THE TOP PROTECTIVE COVER TO OBTAIN THE
MAXIMUM SURROUNDING AIR TEMPERATURE RATING OF
122F(50C).



MODEL # CIMR-LE	VOLTAGE THREE-PHASE (VAC)	OUTPUT CURRENT (A) 3 MIN., 50% ED	WEIGHT LBS (Kg)	HEAT LOSS (W) Fc=8kHz		
				INT	EXT	TOT
2A0075DXX	200/240	75.0	19.2 (8.7)	162.8	394.9	557.7
2A0094DXX	200/240	93.8	21.4 (9.7)	220.9	459.8	680.7
4A0049DXX	380/480	48.8	18.3 (8.3)	179.4	329.8	509.2

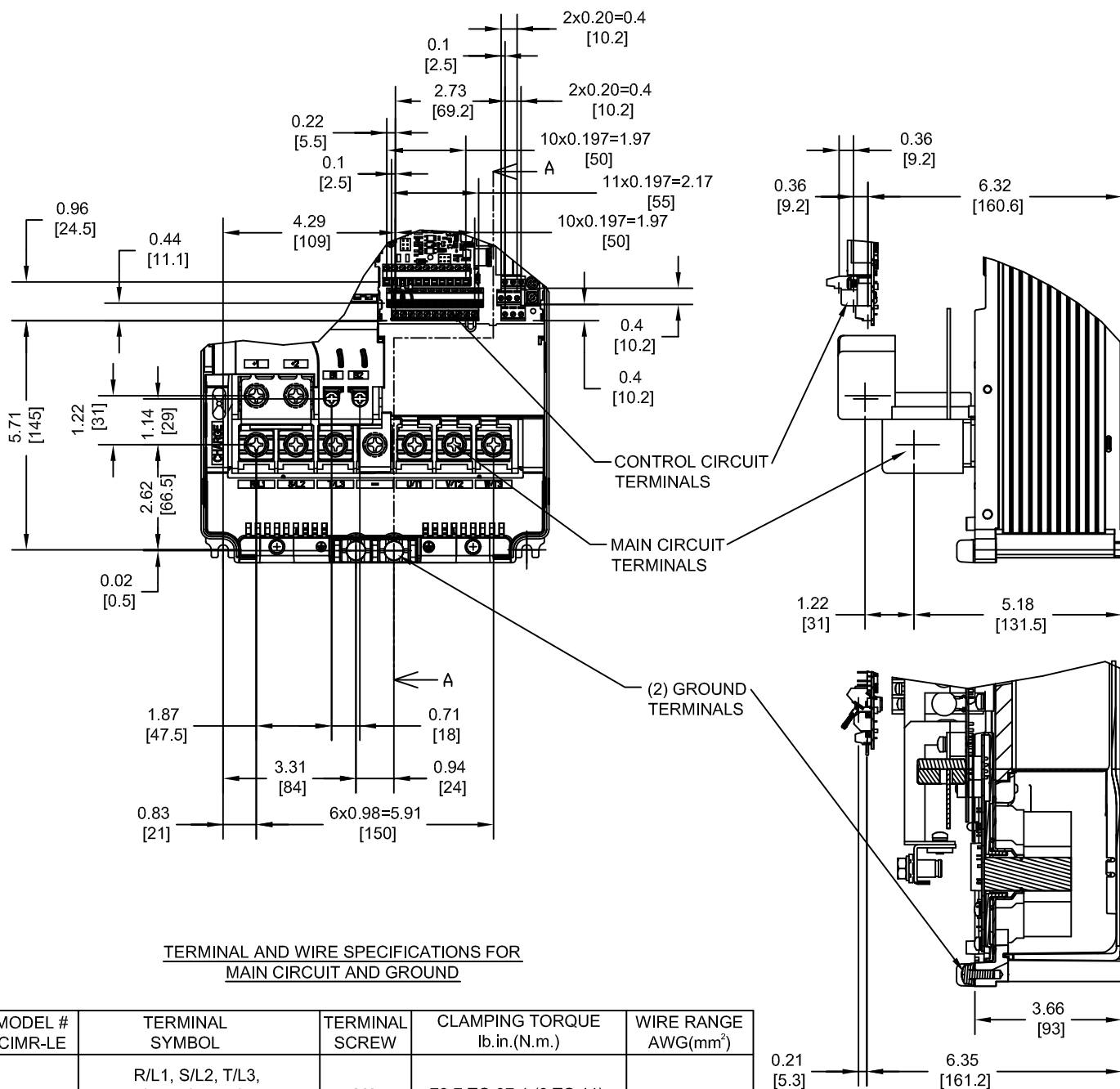
NOTE:
XX DENOTES AA-ZZ

INT=INTERNAL COMPONENTS
EXT=EXTERNAL HEATSINK
TOT=TOTAL

FOR ADDITIONAL DETAILS AND SPECIFICATIONS, CONSULT MANUAL

TOLERANCES / REFERENCES:		<p>THIS DOCUMENT AND INFORMATION CONTAINED IN IT ARE CONFIDENTIAL, AND CANNOT BE COPIED OR DISCLOSED IN WHOLE OR IN PART WITHOUT THE EXPRESS WRITTEN CONSENT OF YASKAWA AMERICA, INC.</p>	DRAWN: J. MATTAS DATE: 11-25-13	TITLE: L1000E DIMENSION DRAWING FRAME SIZE 6 IP00 ENCLOSURE 2A0075, 2A0094 AND 4A0049
			CHECKED: J. PIOTROWSKI DATE: 11-24-13	SIZE: A REVISION: R00 PAGE: 1 of 4
			TECH: L. UDDIN DATE: 12-2-13	DRAWING #: DD.L1KE.FR6.IP00
UNITS: IN [mm]	SCALE: 1:6		APPROVED: J. CAIRO DATE: 12-21-13	ORIGINAL DESIGN: -

MODELS LE2A0075 & 2A0094
 TERMINAL AND WIRING DETAILS (SCALE 1:4)



TERMINAL AND WIRE SPECIFICATIONS FOR
 MAIN CIRCUIT AND GROUND

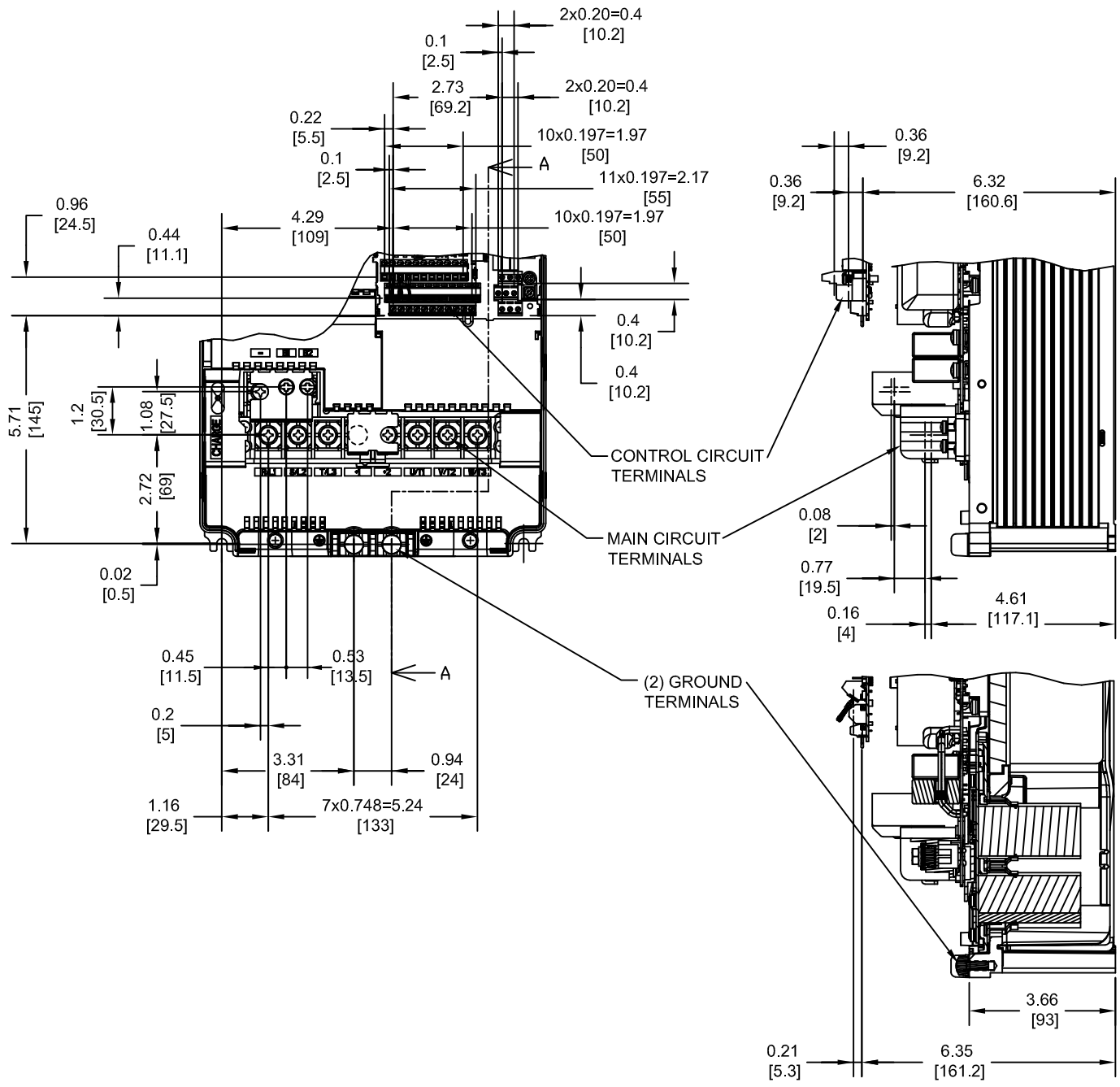
MODEL # CIMR-LE	TERMINAL SYMBOL	TERMINAL SCREW	CLAMPING TORQUE lb.in.(N.m.)	WIRE RANGE AWG(mm ²)
2A0075	R/L1, S/L2, T/L3, U/T1, V/T2, W/T3, ⊖, ⊕1, ⊕2,	M8	79.7 TO 97.4 (9 TO 11)	4-3 (25-30)
	B1, B2	M5	17.7 TO 22.1 (2 TO 2.5)	8-6 (10-16)
	⊕	M6	35.4 TO 53.1 (4 TO 6)	6-4 (16-25)
2A0094	R/L1, S/L2, T/L3, U/T1, V/T2, W/T3, ⊖, ⊕1, ⊕2,	M8	79.7 TO 97.4 (9 TO 11)	3-2 (30-35)
	B1, B2	M5	17.7 TO 22.1 (2 TO 2.5)	6 (16)
	⊕	M6	35.4 TO 53.1 (4 TO 6)	6-4 (16-25)

NOTE: REFER TO APPLICABLE CODES FOR PROPER WIRE TYPE AND SIZE

FOR ADDITIONAL DETAILS AND SPECIFICATIONS, CONSULT MANUAL

TOLERANCES / REFERENCES:			DRAWN: J. MATTAS CHECKED: J. PIOTROWSKI TECH: L. UDDIN APPROVED: J. CAIRO ORIGINAL DESIGN: -	DATE: 11-25-13 DATE: 11-24-13 DATE: 12-2-13 DATE: 12-21-13 DATE: -	TITLE: L1000E DIMENSION DRAWING FRAME SIZE 6 IP00 ENCLOSURE 2A0075, 2A0094 AND 4A0049
UNITS: IN [mm]	SCALE: BY VIEW		THIS DOCUMENT AND INFORMATION CONTAINED IN IT ARE CONFIDENTIAL, AND CANNOT BE COPIED OR DISCLOSED IN WHOLE OR IN PART WITHOUT THE EXPRESS WRITTEN CONSENT OF YASKAWA AMERICA, INC.	SIZE: A REVISION: R00 PAGE: 2 of 4	DRAWING #: DD.L1KE.FR6.IP00

MODEL LE4A0049
 TERMINAL AND WIRING DETAILS (SCALE 1:4)



TERMINAL AND WIRE SPECIFICATIONS FOR
 MAIN CIRCUIT AND GROUND

SECTION A-A

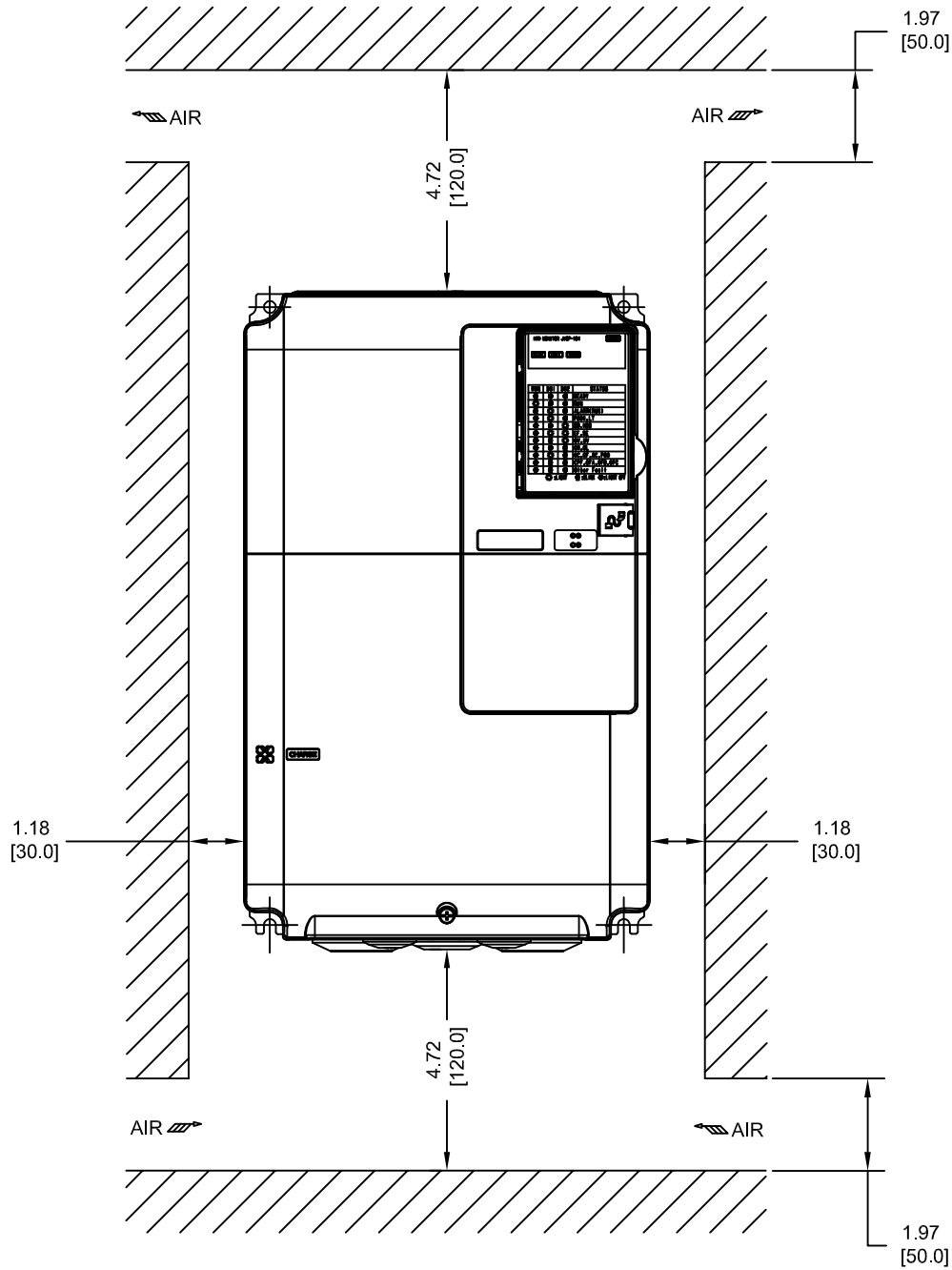
MODEL # CIMR-LE	TERMINAL SYMBOL	TERMINAL SCREW	CLAMPING TORQUE lb.in.(N.m.)	WIRE RANGE AWG(mm ²)
4A0049	R/L1, S/L2, T/L3, U/T1, V/T2, W/T3, ⊖, ⊕1, ⊕2,	M6	35.4 TO 53.1 (4 TO 6)	6-4 (16-25)
	B1, B2	M5	17.7 TO 22.1 (2 TO 2.5)	10-8 (6.0-10)
	⊙	M6	35.4 TO 53.1 (4 TO 6)	8-6 (10-16)

NOTE: REFER TO APPLICABLE CODES FOR PROPER WIRE TYPE AND SIZE


FOR ADDITIONAL DETAILS AND SPECIFICATIONS, CONSULT MANUAL

TOLERANCES / REFERENCES:			DRAWN: J. MATTAS	DATE: 11-25-13	TITLE: L1000E DIMENSION DRAWING FRAME SIZE 6 IP00 ENCLOSURE 2A0075, 2A0094 AND 4A0049
UNITS: IN [mm]	SCALE: BY VIEW		CHECKED: J. PIOTROWSKI	DATE: 11-24-13	
THIS DOCUMENT AND INFORMATION CONTAINED IN IT ARE CONFIDENTIAL, AND CANNOT BE COPIED OR DISCLOSED IN WHOLE OR IN PART WITHOUT THE EXPRESS WRITTEN CONSENT OF YASKAWA AMERICA, INC.		TECH: L. UDDIN	DATE: 12-2-13	SIZE: A	REVISION: R00
		APPROVED: J. CAIRO	DATE: 12-21-13	ORIGINAL DESIGN: -	DATE: -
		DRAWING #: DD.L1KE.FR6.IP00			

MINIMUM INSTALLATION CLEARANCES (SCALE 1:4)



FOR ADDITIONAL DETAILS AND SPECIFICATIONS, CONSULT MANUAL

TOLERANCES / REFERENCES:		 THIS DOCUMENT AND INFORMATION CONTAINED IN IT ARE CONFIDENTIAL, AND CANNOT BE COPIED OR DISCLOSED IN WHOLE OR IN PART WITHOUT THE EXPRESS WRITTEN CONSENT OF YASKAWA AMERICA, INC.	DRAWN: J. MATTAS	DATE: 11-12-13	TITLE: L1000E DIMENSION DRAWING FRAME SIZE 6 IP00 ENCLOSURE 2A0075, 2A0094 AND 4A0049		
			CHECKED: J. PIOTROWSKI	DATE: 11-24-13			
			TECH: L. UDDIN	DATE: 12-2-13			
			APPROVED: J. CAIRO	DATE: 12-21-13			
UNITS: IN [mm]	SCALE: BY VIEW	ORIGINAL DESIGN: -	DATE: -	DRAWING #: DD.L1KE.FR6.IP00	SIZE: A	REVISION: R00	PAGE: 4 of 4