

SigmaTrac XY Adapter Plate

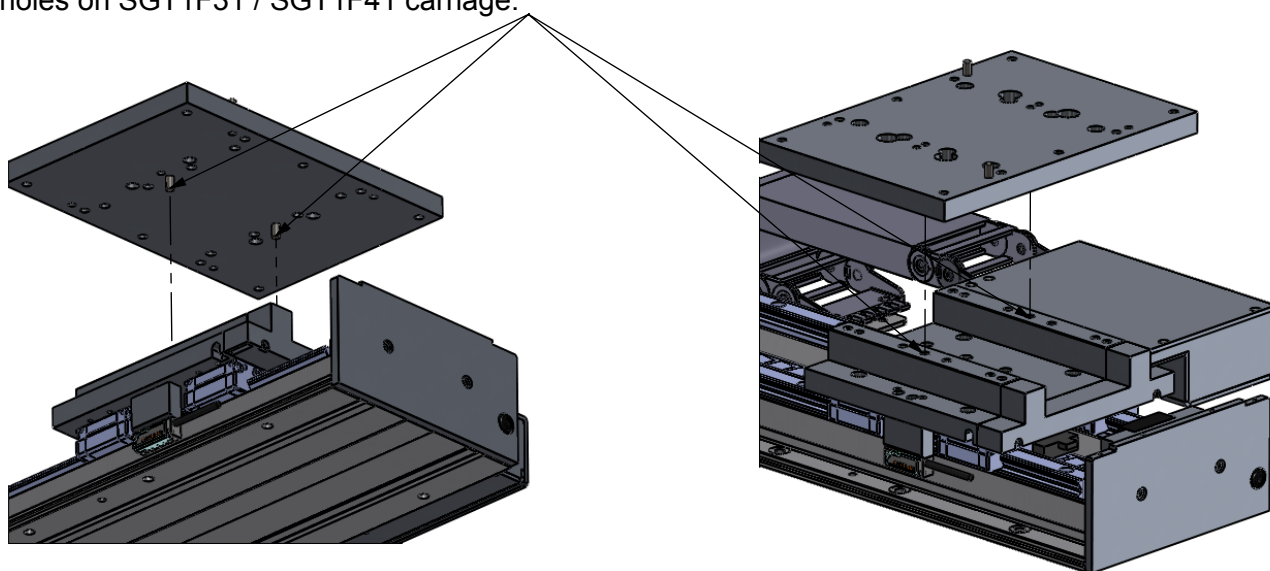
Part Numbers: SGTA-CC1, SGTA-CC2

1. SGTA-CC1: For mounting a SGT1F31 or SGT1F41 series SigmaTrac on a SGT1F31 or SGT1F41 series SigmaTrac, follow the instructions outlined below.

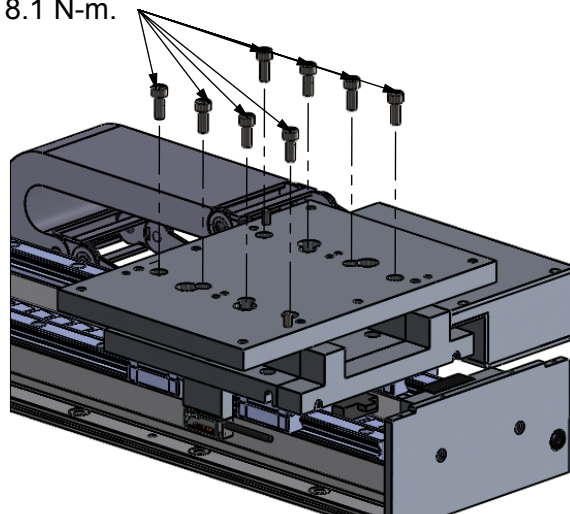
Kit includes the following parts:

- 1 - XY adapter plate with dowel pins
- 14 - M6x18 mm socket head cap screws

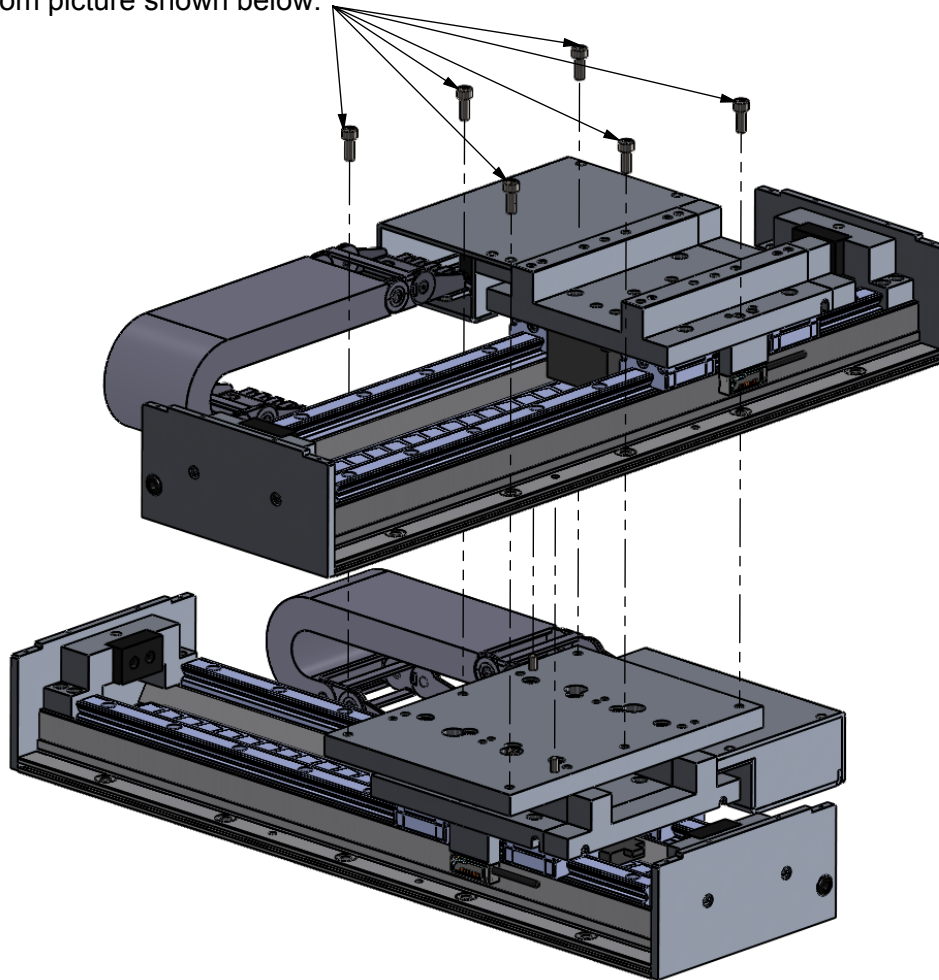
1.1. Align and insert dowel pins on XY adapter plate with center dowel holes on SGT1F31 / SGT1F41 carriage.



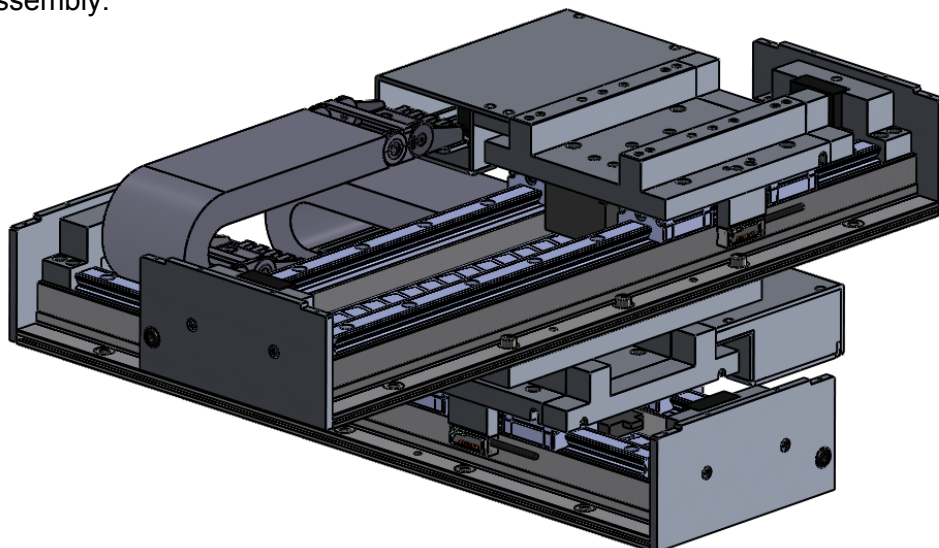
1.2. Secure XY adapter plate to carriage with 8 - M6x18 socket head cap screws. Recommend applying Loctite threadlocking adhesive to the threads. Tighten to the recommended tightening torque, 8.1 N-m.



1.3. Align dowel holes on base of SGT1F31 (or SGT1F41) with dowel pins on XY adapter plate and secure with 6 - M6x18 socket head cap screws. Recommend applying Loctite threadlocking adhesive to the threads. Tighten to the recommended tightening torque, 8.1 N-m. Upper axis can be rotated and mounted 180° from picture shown below.



1.4. Finished assembly.

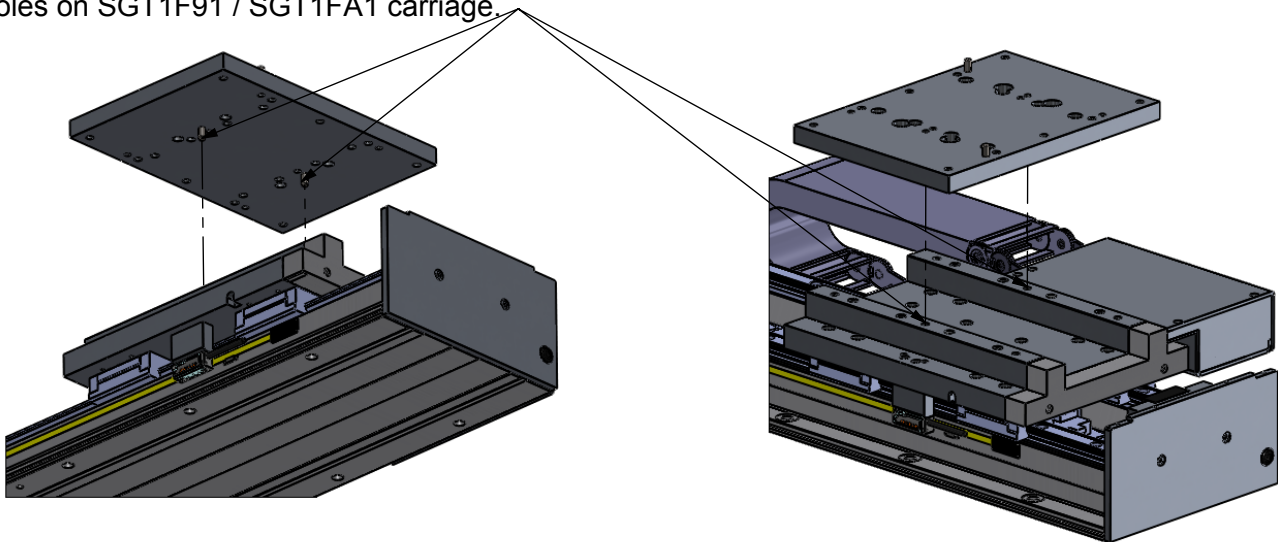


2. SGTA-CC2: For mounting a SGT1F31 or SGT1F41 series SigmaTrac on a SGT1F91 or SGT1FA1 series SigmaTrac, follow the instructions outlined below.

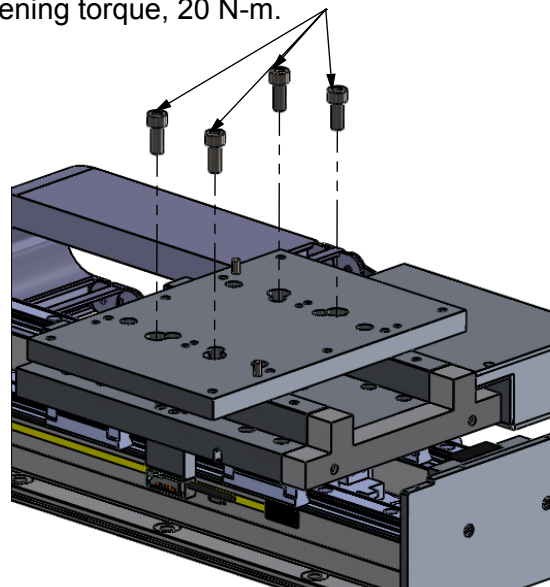
Kit includes the following parts:

- 1 - XY adapter plate with dowel pins
- 6 - M6x18 mm socket head cap screws
- 4 - M8x20 mm socket head cap screws

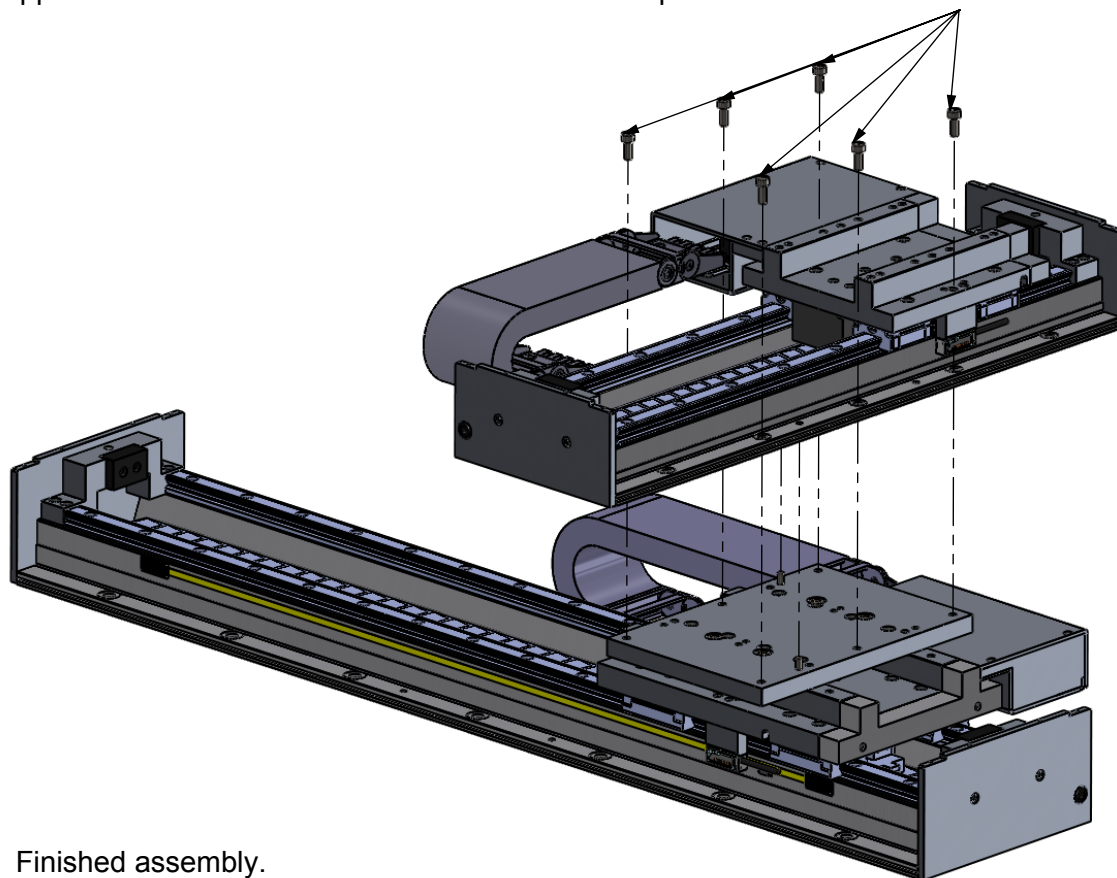
2.1. Align and insert dowel pins on XY adapter plate with center dowel holes on SGT1F91 / SGT1FA1 carriage.



2.2. Secure XY adapter plate to carriage with 4 - M8x20 socket head cap screws. Recommend applying Loctite threadlocking adhesive to the threads. Tighten to the recommended tightening torque, 20 N-m.



2.3. Align dowel holes on base of SGT1F31 / SGT1F41 with dowel pins on XY adapter plate and secure with 6 - M6x18 socket head cap screws. Recommend applying Loctite threadlocking adhesive to the threads. Tighten to the recommended tightening torque, 8.1 N·m. Upper axis can be rotated and mounted 180° from picture shown below.



2.4. Finished assembly.

