

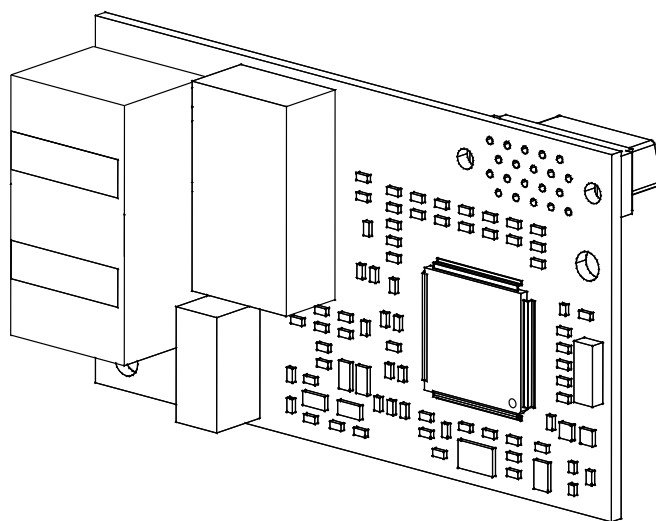
YASKAWA AC Drive Option

Modbus TCP/IP

Technical Manual

Model SI-EM3D

To correctly use the product, read this manual thoroughly and keep it for easy reference, inspection, and maintenance. Make sure that the end user receives this manual.



This Page Intentionally Blank

Table of Contents

1. Preface and Safety	5
Applicable Documentation	5
Glossary	5
Registered Trademarks	5
Supplemental Safety Information	5
Section Safety	6
2. Overview	6
Compatible Products	6
Install the Option on a GA500 Drive	7
3. Receiving	8
Option Package Contents	8
Installation Tools	9
4. Option Components	9
Option	9
Communication Connector	9
Option LED States	10
5. Installation Procedure	11
Section Safety	11
Procedures to Install and Wire Options on a Drive	11
Procedure A	12
Procedure B	15
Procedure C	18
Procedure D	21
Communication Cable Specifications	26
Option Connection Diagram	26
Communication Cable Wiring	27
6. Related Drive Parameters	27
7. Modbus TCP/IP Messaging	31
Modbus TCP/IP Overview	31
Supported Modbus TCP/IP Commands	31
Drive Modbus TCP/IP Option Registers	31
High Speed Access Drive Modbus TCP/IP Option Registers	31
Types of Enter Commands	35
Enter Command Function Differences Depending on the Setting of H5-11	35
Message Format	35
Modbus TCP/IP Option Function Details	36
Modbus TCP/IP Exception Codes	41

Control Connection Timeout	42
8. Web Interface	42
Home Page	42
Modbus-TCP Page	43
Network Page	43
Ring Page	45
RSTP	45
Port_Information	45
Chart Page	46
Email Alerts Page	47
Parameter Access Page	48
Settings Page	48
9. Rapid Spanning Tree Protocol (RSTP)	49
Convergence Time	49
Topology	49
Enabling RSTP	49
RSTP Monitor U6-96	50
10. Troubleshooting	51
Drive-Side Error Codes	51
Fault	51
Minor Faults and Alarms	52
bUS Fault Tolerance	52
bUS Fault Auto-Restart	52
bUS Fault Delay	52
Option Error Codes	52
Option Fault Monitors <i>U6-98</i> and <i>U6-99</i>	52
Option Compatibility	53
11. Option Installation	53
12. Specifications	54
Specifications	54
13. Disposal	55
Disposal Instructions	55
WEEE Directive	55
Revision History	56

1 Preface and Safety

YASKAWA Electric supplies component parts for use in a wide variety of industrial applications. The selection and application of YASKAWA products remain the responsibility of the equipment designer or end user.

YASKAWA accepts no responsibility for the way its products are incorporated into the final system design. Under no circumstances should any YASKAWA product be incorporated into any product or design as the exclusive or sole safety control. Without exception, all controls should be designed to detect faults dynamically and fail safely under all circumstances. All products designed to incorporate a component part manufactured by YASKAWA must be supplied to the end user with appropriate warnings and instructions as to the safe use and operation of that part. Any warnings provided by YASKAWA must be promptly provided to the end user. YASKAWA offers an express warranty only as to the quality of its products in conforming to standards and specifications published in the manual. **NO OTHER WARRANTY, EXPRESS OR IMPLIED, IS OFFERED.** YASKAWA assumes no liability for any personal injury, property damage, losses, or claims arising from misapplication of its products.

◆ Applicable Documentation

Document	Description
Yaskawa AC Drive Option Modbus TCP/IP Installation Manual	Read this manual first. The manual provides information about wiring, setting, functions, troubleshooting. The manual is packaged together with the product.
YASKAWA AC Drive Option Modbus TCP/IP Technical Manual Manual No.: SIEP C730600 0E (This book)	The technical manual contains detailed information about the option. Access the following sites to obtain the technical manual: U.S.: http://www.yaskawa.com Europe: http://www.yaskawa.eu.com Japan: http://www.e-mechatronics.com Other areas: Check the back cover of these manuals. For questions, contact Yaskawa or a Yaskawa representative.
YASKAWA AC Drive Manuals	Refer to the drive manual to connect with the option. Drive manuals contain basic installation and wiring information in addition to detailed parameter setting, fault diagnostic, and maintenance information. The manuals also include important information about parameter settings and tuning the drive. The Quick Start Guides are packaged with the drive. The most recent versions of these manuals are available for download on our documentation websites: U.S.: http://www.yaskawa.com Europe: http://www.yaskawa.eu.com Japan: http://www.e-mechatronics.com Other areas: Check the back cover of these manuals. For questions, contact Yaskawa or a Yaskawa representative.

◆ Glossary

Terms	Definition
Option	YASKAWA AC Drive Option SI-EM3D Modbus TCP/IP
Keypad	<ul style="list-style-type: none"> • HOA Operator • LCD Operator • LED Operator • HOA Keypad • LCD Keypad • LED Keypad
Hex. (Example: 900 (Hex.))	Identifies a unit for hexadecimal number format.

◆ Registered Trademarks

- Modbus TCP/IP is a trademark of Modbus-IDA.
- All trademarks are the property of their respective owners.

◆ Supplemental Safety Information

Read and understand this manual before installing, operating, or servicing this option. The option must be installed according to this manual and local codes.

The following conventions are used to indicate safety messages in this manual. Failure to heed these messages could result in serious or possibly even fatal injury or damage to the products or to related equipment and systems.

- ⚠ DANGER** This signal word identifies a hazard that will cause serious injury or death if you do not prevent it.
- ⚠ WARNING** This signal word identifies a hazard that can cause death or serious injuries if you do not prevent it.
- ⚠ CAUTION** This signal word identifies a hazardous situation, which, if not avoided, can cause minor or moderate injury.
- NOTICE** This signal word identifies a property damage message that is not related to personal injury.

■ **Section Safety**

General Precautions
<ul style="list-style-type: none"> The diagrams in this section may include options and drives without covers or safety shields to illustrate details. Be sure to reinstall covers or shields before operating any devices. The option should be used according to the instructions described in this manual. The diagrams in this manual are provided as examples only and may not pertain to all products covered by this manual. The products and specifications described in this manual or the content and presentation of the manual may be changed without notice to improve the product and/or the manual. Contact Yaskawa or a Yaskawa representative and provide the manual number shown on the front cover to order new copies of the manual.

- ⚠ DANGER** Do not ignore the safety messages in this manual. If you ignore the safety messages in this manual, it will cause serious injury or death. The manufacturer is not responsible for injuries or damage to equipment.
- ⚠ WARNING** *Electrical Shock Hazard.* Do not modify the drive or option circuitry. Failure to obey can cause serious injury or death, or cause damage to the drive or option and will void warranty. Yaskawa is not responsible for modifications of the product made by the user.
- NOTICE** *Damage to Equipment.* Do not use steam or other disinfectants to fumigate wood for packaging the drive. Use alternative methods, for example heat treatment, before you package the components. Gas from wood packaging fumigated with halogen disinfectants, for example fluorine, chlorine, bromine, iodine or DOP gas (phthalic acid ester), can cause damage to the drive.

2 Overview

This option provides a communications connection between the drive and a Modbus TCP/IP network. The option connects the drive to a Modbus TCP/IP network and facilitates the exchange of data.

Modbus TCP/IP is a communications link to connect industrial devices (such as smart motor controllers, operator interfaces, and variable frequency drives) as well as control devices (such as programmable controllers and computers) to a network. Modbus TCP/IP is a simple, networking solution. Modbus TCP/IP decreases the cost and time to wire and install factory automation devices, and it gives the option to interchange like components from other vendors.

Modbus TCP/IP is an open network standard.

Install the option on a drive to perform the following functions from a Modbus TCP/IP master device:

- Operate the drive
- Monitor the drive operation status
- Change drive parameter settings

◆ Compatible Products

You can use the option with these products:

Table 2.1 Compatible Products

Drive	Model	Software Version ^{*1}
A1000	CIMR-Ax2Axxxx	≥ 1020
	CIMR-Ax4A0002 - 4A0675	
	CIMR-Ax4A0930, 4A1200	≥ 3015
D1000	CIMR-Ax5Axxxx	≥ 5040 ≥ 1017
	CIMR-Dx2A0005 - 4A0370	≥ 2006
	CIMR-Dx4A0630	≥ 3014
R1000	CIMR-Rx2A03P5 - 4A0300	≥ 2102
U1000	CIMR-UxxAxxxx	≥ 1015
	CIMR-UxxExxxx	
	CIMR-UxxPxxxx	

Drive	Model	Software Version ^{*1}
	CIMR-UxxWxxxx	
U1000L	CIMR-UxxLxxxx	≥ 6210
	CIMR-UxxFxxxx	
	CIMR-UxxRxxxx	
	CIMR-UxxSxxxx	
Z1000	CIMR-ZxxAxxxx	≥ 1016
Z1000U	CIMR-ZxxUxxxx	≥ 6113
	CIMR-ZxxExxxx	
	CIMR-ZxxPxxxx	
	CIMR-ZxxWxxxx	
GA500 ^{*2}	CIPR-GA50xxxxx	≥ 1010
GA700 ^{*2}	CIPR-GA70xxxxx	≥ 1010
GA800 ^{*2}	CIPR-GA80xxxxx	≥ 9010
HV600 ^{*2}	CIPR-HV60xxxxx	≥ 1011
FP605 ^{*2}	CIPR-FP65xxxxx	≥ 1010

*1 Refer to “PRG” on the drive nameplate for the software version number.

*2 Before you install the option on a GA500, GA700, GA800, HV600, or FP605 drive, make sure that the option software version is PRG: 0383 or later.

Note:

- Refer to the option package labeling in the field designated “PRG (four digit number)” to identify the option software version.

- For Yaskawa customers in the North or South America regions:

If your product is not listed in [Table 2.1](#), refer to the web page below to confirm this manual is correct for your product. The web page provides a list of option manuals by product, and a direct link to download a PDF of the manual.

Scan QR code Or refer to:

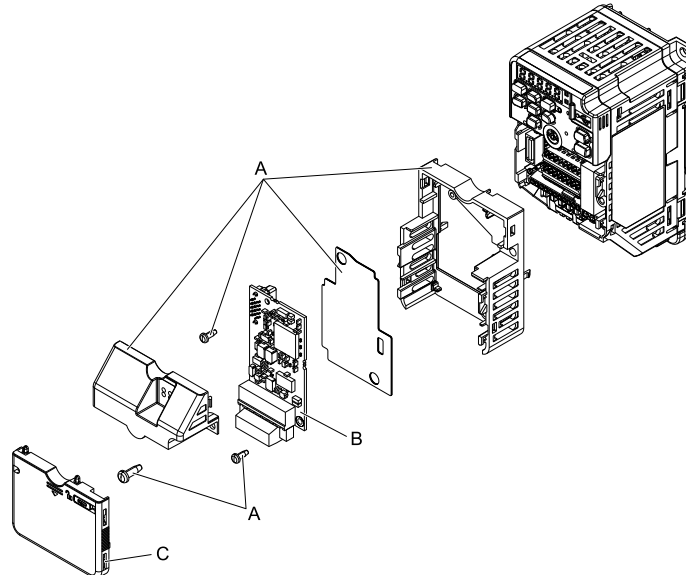
<http://www.yaskawa.com/optionlookup>



◆ Install the Option on a GA500 Drive

An option card mounting kit is necessary to install the option on a GA500 drive. The option card mounting kit model is: JOHB-GA50. This kit is sold separately.

Refer to the option card mounting kit manual for more information about installation.



A - Option card mounting kit components (sold separately)
 B - Option
 C - Drive front cover

Figure 2.1 Option Card Mounting Kit (JOHB-GA50)

3 Receiving

After you receive the option package:

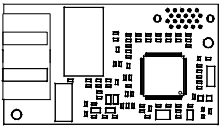


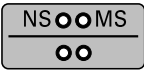

- Make sure that there is no damage to the option and no parts are missing. The Yaskawa warranty does not include damage from shipping. If there is damage to the option or other parts, contact the shipping company immediately.

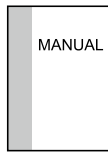
NOTICE *Damage to Equipment. Do not use damaged parts to connect the drive and the option. Failure to comply could damage the drive and option.*

- Make sure that the model number on the option nameplate and the model number on the purchase order are the same. Refer to Figure 4.1 for more information.
- Contact the distributor where you purchased the option or contact Yaskawa or a Yaskawa representative about any problems with the option.

◆ Option Package Contents

Table 3.1 Contents of Package

Option Contents		Quantity
Option		1
Ground wire *1		1
Screws (M3)		3 *2
LED label	1000-Series, Z1000U 	1
	GA500, GA700, and GA800 	1

Option Contents		Quantity
	Z1000, HV600, and FP605 *3	1 *4
Manuals		1

*1 GA500, GA700, and GA800 drives do not use the ground wire.

*2 GA700, GA800, HV600, and FP605 drives use two screws only.

*3 LED label has transparent background and white letters. Please make sure that you use the correct label for Z1000, HV600, or FP605.

*4 Options purchased in Japan do not include LED labels for Z1000, HV600, or FP605.

◆ Installation Tools

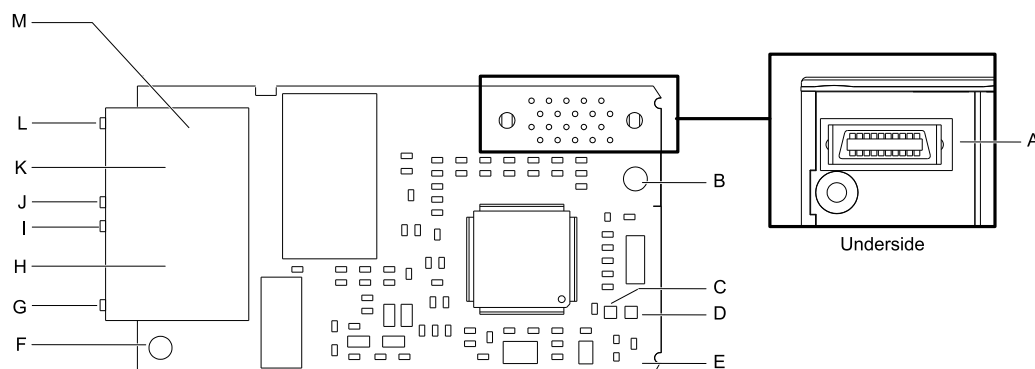
You can use these tools to install the option to the drive:

- A Phillips screwdriver or slotted screwdriver (blade depth: 0.4 mm (0.02 in), width: 2.5 mm (0.1 in)) *1.
- A pair of diagonal cutting pliers.
- A small file or medium-grit sandpaper.

*1 Phillips screw sizes are different for different drive capacities. Prepare different screwdrivers for different screw sizes.

4 Option Components

◆ Option



A - Connector (CN5)

B - Installation hole

C - LED (NS) *1

D - LED (MS) *1

E - Option PCB

F - Ground terminal (FE) and installation hole *2

G - Port 1 LED (10/100) *1

H - Option modular connector CN1 port 1 (RJ45)

I - Port 1 LED (LINK/ACT) *1

J - Port 2 LED (10/100) *1

K - Option modular connector CN1 port 2 (RJ45)

L - Port 2 LED (LINK/ACT) *1

M - Communication connector CN1

Figure 4.1 Option

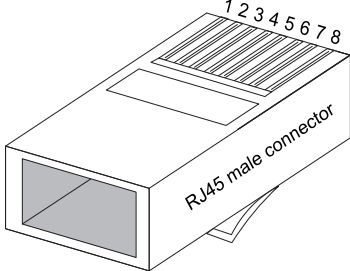
*1 Refer to [Option LED States on page 10](#) for more information about the LEDs.

*2 Connect the included ground wire during installation. The ground wire is not necessary for installation on GA700 and GA800 drives. For GA500 drives, connect the included ground wire to the separately-sold communication option case (model: JOHB-GA50).

◆ Communication Connector

The communication modular connector CN1 on the option is a modular dual RJ45 female connector designated port 1 and port 2. Port 1 and port 2 are the connection points for a customer-supplied male Modbus TCP/IP network communication cable.

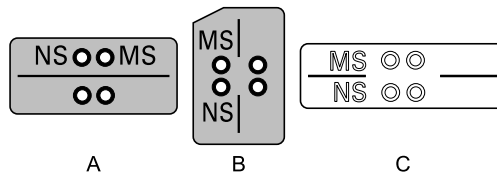
Table 4.1 Male 8-way Ethernet Modular Connector (Customer-Supplied)

Male 8-way Ethernet Modular Connector	Pin	Description
	1 (Pair 2)	Transmit data (TXD) +
	2 (Pair 2)	Transmit data (TXD) -
	3 (Pair 3)	Receive data (RXD) +
	4 (Pair 1)	Not used
	5 (Pair 1)	Not used
	6 (Pair 3)	Receive data (RXD) -
	7 (Pair 4)	Not used
	8 (Pair 4)	Not used

◆ **Option LED States**

The option has four LEDs:

- Bi-color Status LEDs:
 - Module status (MS) red/green
 - Network status (NS) red/green
- Ethernet LEDs:
 - Network speed-10/100 yellow
 - Link status and network activity-Link/Act green



A - 1000-Series, Z1000U
B - GA500, GA700, GA800

C - Z1000, HV600, and FP605 *1

Figure 4.2 Option LED Labels

*1 LED label has transparent background and white letters. Please make sure that you use the correct label for Z1000, HV600, or FP605.

Wait 2 seconds minimum for the power-up diagnostic process to complete before you verify the LED states. The [Table 4.2](#) shows the operating status of the option LEDs after the power-up diagnostic LED sequence is complete.

Table 4.2 Option LED States

LED Name	Indication		Operating State	Description
	Color	Display		
MS	-	OFF	Power supply off	There is no power to the drive.
	Green	ON	Option operating	The option is operating normally.
	Green	Flashing	Option initializing	The option is configuring an IP address.
	Red	ON	Fatal error occurred	The option detected a fatal (unrecoverable) error.
	Red	Flashing	Non-fatal error occurred	The option detected a non-fatal (recoverable) error.
NS	-	OFF	Power supply OFF or Offline	-
	Green	ON	Online communications established	The option is online and has established connections.
	Green	Flashing	Control connection active	The option is online and has an established and active control connection.
	Red	ON	Communications error (fatal)	The option detected a duplicate IP address.
10/100 *1	Yellow	OFF	10 Mbps is established	-
	Yellow	ON	100 Mbps is established	
LINK/ACT *1	Green	OFF	Link is not established	
	Green	ON	Link is established	

LED Name	Indication		Operating State	Description
	Color	Display		
	Green	Flashing	Link is established and there is network activity	

*1 To verify LED states, you must remove the drive front cover. Do not touch the drive main circuit terminal or circuit boards when you remove the drive front cover.

5 Installation Procedure

◆ Section Safety

⚠ DANGER *Electrical Shock Hazard. Do not examine, connect, or disconnect wiring on an energized drive. Before servicing, disconnect all power to the equipment and wait for the time specified on the warning label at a minimum. The internal capacitor stays charged after the drive is de-energized. The charge indicator LED extinguishes when the DC bus voltage decreases below 50 Vdc. When all indicators are OFF, measure for dangerous voltages to make sure that the drive is safe. If you do work on the drive when it is energized, it will cause serious injury or death from electrical shock.*

⚠ WARNING *Electrical Shock Hazard. Do not operate the drive when covers are missing. Replace covers and shields before you operate the drive. Use the drive only as specified by the instructions. Some figures in this section include drives without covers or safety shields to more clearly show the inside of the drive. If covers or safety shields are missing from the drive, it can cause serious injury or death.*

⚠ WARNING *Electrical Shock Hazard. Only let approved personnel install, wire, maintain, examine, replace parts, and repair the drive. If personnel are not approved, it can cause serious injury or death.*

⚠ WARNING *Electrical Shock Hazard. Do not remove covers or touch circuit boards while the drive is energized. If you touch the internal components of an energized drive, it can cause serious injury or death.*

⚠ WARNING *Electrical Shock Hazard. Do not use damaged wires, put too much force on the wiring, or cause damage to the wire insulation. Damaged wires can cause serious injury or death.*

⚠ WARNING *Fire Hazard. Tighten all terminal screws to the correct tightening torque. Connections that are too loose or too tight can cause incorrect operation and damage to the drive. Incorrect connections can also cause death or serious injury from fire.*

NOTICE *Damage to Equipment. When you touch the option, make sure that you observe correct electrostatic discharge (ESD) procedures. If you do not follow procedures, it can cause ESD damage to the drive circuitry.*

NOTICE *Damage to Equipment. Do not de-energize the drive while the drive is outputting voltage. Incorrect equipment sequencing can cause damage to the drive.*

NOTICE *Do not operate a drive or connected equipment that has damaged or missing parts. You can cause damage to the drive and connected equipment.*

NOTICE *Use Yaskawa connection cables or recommended cables only. Incorrect cables can cause the drive or option to function incorrectly.*

NOTICE *Damage to Equipment. Correctly connect the connectors. Incorrect connections can cause malfunction or damage to the equipment.*

NOTICE *Damage to Equipment. Make sure that all connections are correct after you install the drive and connecting peripheral devices. Incorrect connections can cause damage to the option.*

◆ Procedures to Install and Wire Options on a Drive

Procedures to install and wire the option are different for different drive models.

Refer to [Table 5.1](#) to check the procedures to install and wire the option on a drive.

Table 5.1 Procedures to Install and Wire Options on a Drive

Drive	Procedures to Install and Wire Options on a Drive	Reference Page
A1000	Procedure A	12
D1000	Procedure A	12
R1000	Procedure A	12
U1000	Procedure A	12
U1000L	Procedure A	12
Z1000U	Procedure A	12
Z1000	Procedure B	15

5 Installation Procedure

Drive	Procedures to Install and Wire Options on a Drive	Reference Page
GA500	*1 *2	-
GA700	Procedure C	18
GA800	Procedure C	18
HV600	Procedure D	21
FP605	Procedure D	21

*1 To install the option on GA500 drives, use the option mounting kit (JOHB-GA50) and manual.

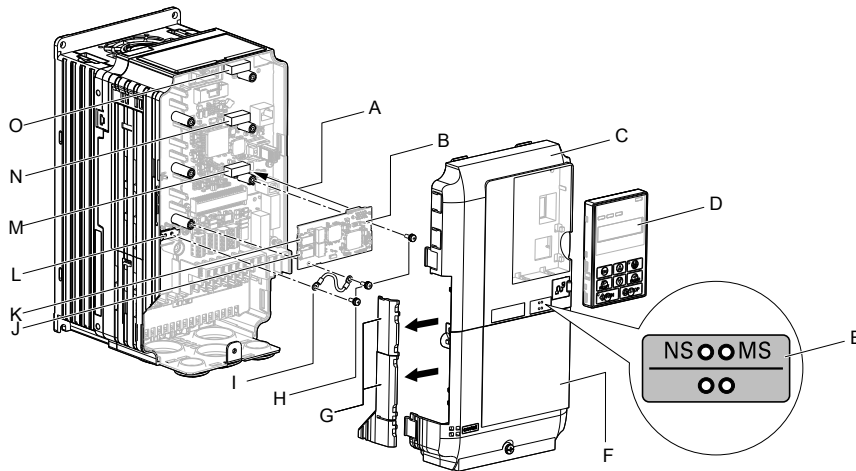
*2 Before you install the option on a GA500 drive, make sure that the option software version is PRG: 0383 or later.

■ Procedure A

This section shows the procedure to install and wire the option on a 1000-series drive.

Prepare the Drive for the Option

Correctly wire the drive as specified by the manual packaged with the drive. Make sure that the drive functions correctly. Refer to the drive manuals for more information.



A - Insertion point for CN5 connector

B - Option

C - Drive front cover

D - Keypad

E - LED label

F - Drive terminal cover

G - Removable tabs for wire routing

H - Included screws

I - Ground wire

J - Option modular connector CN1 port 1 (RJ45)

K - Option modular connector CN1 port 2 (RJ45)

L - Drive grounding terminal (FE)

M - Connector CN5-A

N - Connector CN5-B (Not available for communication option installation.)

O - Connector CN5-C (Not available for communication option installation.)

Figure 5.1 Drive Components with Option

Install the Option

Use this procedure to install the option.

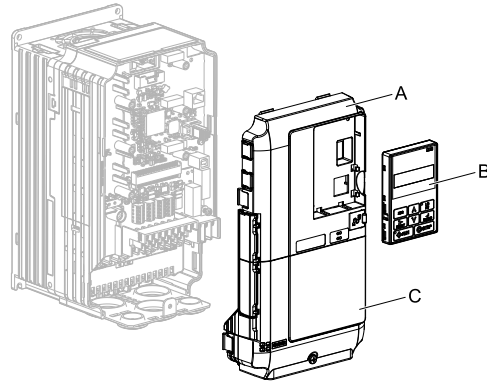
⚠ DANGER *Electrical Shock Hazard. Do not examine, connect, or disconnect wiring on an energized drive. Before servicing, disconnect all power to the equipment and wait for the time specified on the warning label at a minimum. The internal capacitor stays charged after the drive is de-energized. The charge indicator LED extinguishes when the DC bus voltage decreases below 50 Vdc. When all indicators are OFF, measure for dangerous voltages to make sure that the drive is safe. If you do work on the drive when it is energized, it will cause serious injury or death from electrical shock.*

1. Remove the keypad (B), front cover (A), and terminal cover (C).

Shut off power to the drive and wait for the time specified on the drive warning label at a minimum. Make sure that the charge indicator LED is unlit, then remove the keypad and front cover. Refer to the drive manuals for more information.

You can only install this option into the CN5-A connector on the drive control board.

NOTICE *Damage to Equipment. When you touch the option, make sure that you observe correct electrostatic discharge (ESD) procedures. If you do not follow procedures, it can cause ESD damage to the drive circuitry.*

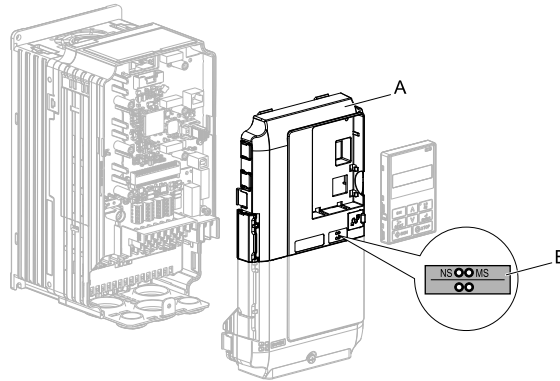


A - Drive front cover
B - Keypad

C - Drive terminal cover

Figure 5.2 Remove the Keypad, Front Cover, and Terminal Cover

- Put the LED label (B) in the correct position on the drive front cover (A).

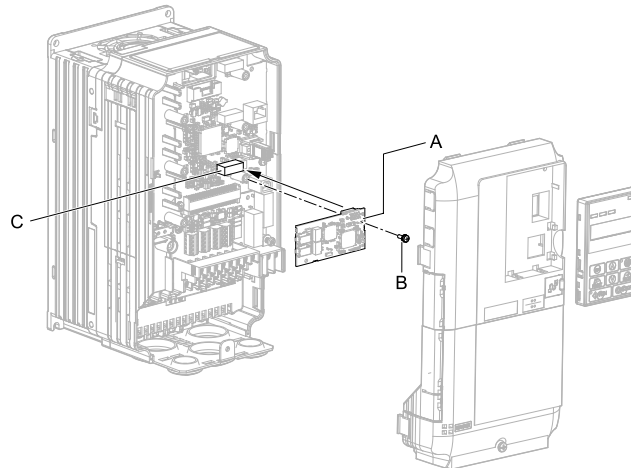


A - Drive front cover

B - LED label

Figure 5.3 Put the LED Label on the Drive Front Cover

- Install the option (A) into the CN5-A connector (C) on the drive and use the included screws (B) to put it in place.



A - Option
B - Included screw

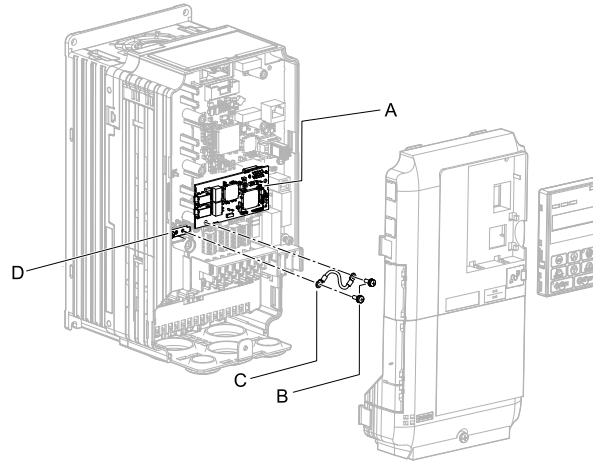
C - Connector CN5-A

Figure 5.4 Install the Option

- Use one of the remaining included screws (B) to connect one end of the ground wire (C) to the ground terminal (D). Use the last remaining included screw (B) to connect the other end of the ground wire (C) to the remaining ground terminal and installation hole on the option (A).

Tighten the screw to a correct tightening torque:

- 0.5 N·m to 0.6 N·m (4.4 in·lb to 5.3 in·lb)



- A - Option
- B - Included screws
- C - Ground wire
- D - Drive grounding terminal (FE)

Figure 5.5 Connect the Ground Wire

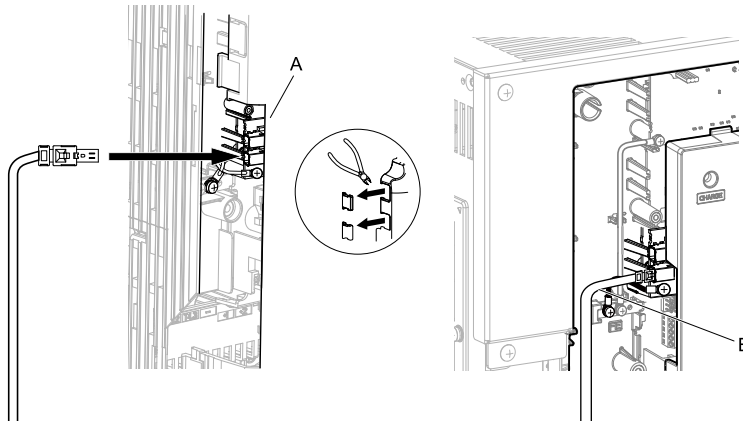
Note:

The drive has only two ground terminal screw holes. When you connect three options, two options will share one ground terminal.

5. Route the option wiring.
 - Procedures to wire the option are different for different drive models.
 - You can route the option wiring through openings on the front cover of some models. Remove the perforated tabs on the left side of the front cover as shown in [Figure 5.6-A](#) to create the necessary openings on these models. To prevent damage to the cable from the cut end, treat the cut surface with sandpaper.
 - Route the option wiring inside the enclosure as shown in [Figure 5.6-B](#). Refer to the drive manuals for more information.

Note:

Isolate communication cables from main circuit wiring and other electrical and power lines.



- A - Route wires through the openings provided on the left side of the front cover. ^{*1}
- B - Use the open space provided inside the drive to route option wiring.

Figure 5.6 Wire Routing Examples

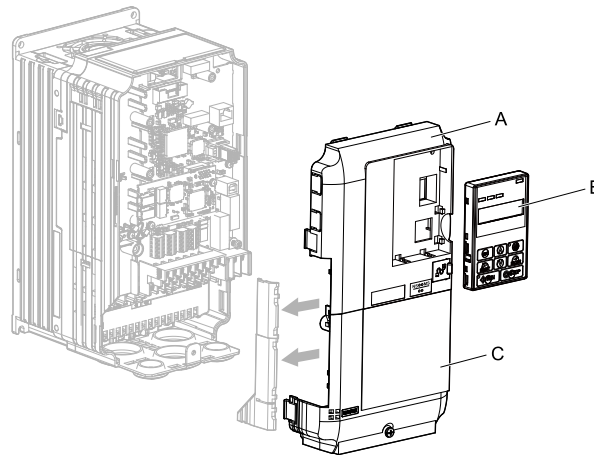
^{*1} If there is wiring outside the enclosure, the drive will not meet Enclosed wall-mounted type (IP20/UL Type 1) requirements.

6. Firmly connect the Ethernet communication cable to option modular connector CN1 port 1 or port 2. Isolate communication cables from main circuit wiring and other electrical and power lines. Make sure that you firmly connect the cable end. (Refer to [Figure 5.28](#)). Refer to [Communication Cable Specifications on page 26](#) for more information.

NOTICE *Damage to Equipment.* When you touch the option, make sure that you observe correct electrostatic discharge (ESD) procedures. If you do not follow procedures, it can cause ESD damage to the drive circuitry.

7. Reattach the front cover (A), terminal cover (C), and keypad (B). Refer to the drive manuals for more information.

NOTICE Do not pinch cables between the front covers and the drive. Failure to comply could cause erroneous operation.



A - Drive front cover
B - Keypad

C - Drive terminal cover

Figure 5.7 Replace the Front Cover, Terminal Cover, and Keypad

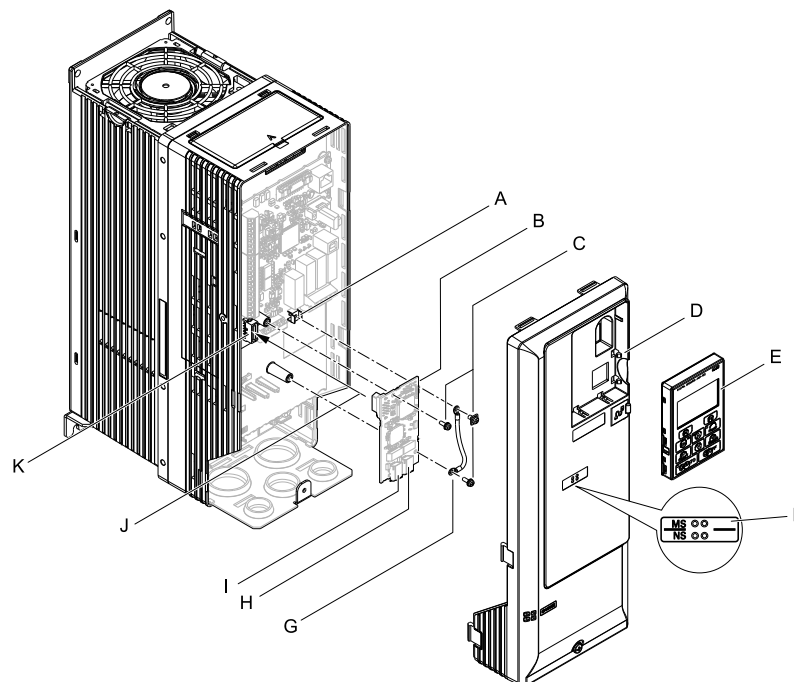
8. Set drive parameters in [Related Drive Parameters on page 27](#) for correct option performance.

■ Procedure B

This section shows the procedure to install and wire the option on a Z1000 drive.

Prepare the Drive for the Option

Correctly wire the drive as specified by the manual packaged with the drive. Make sure that the drive functions correctly. Refer to the drive manuals for more information.



A - Drive grounding terminal (FE)
B - Option
C - Included screws
D - Drive front cover
E - Keypad
F - LED label

G - Ground wire
H - Option modular connector CN1 port 1 (RJ45)
I - Option modular connector CN1 port 2 (RJ45)
J - Insertion point for CN5 connector
K - Connector CN5

Figure 5.8 Drive Components with Option

Install the Option

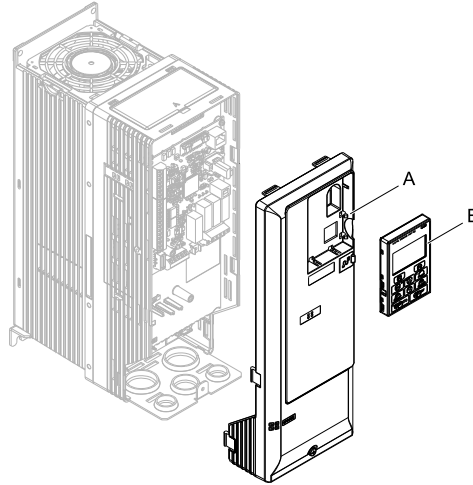
Use this procedure to install the option.

⚠ DANGER *Electrical Shock Hazard. Do not examine, connect, or disconnect wiring on an energized drive. Before servicing, disconnect all power to the equipment and wait for the time specified on the warning label at a minimum. The internal capacitor stays charged after the drive is de-energized. The charge indicator LED extinguishes when the DC bus voltage decreases below 50 Vdc. When all indicators are OFF, measure for dangerous voltages to make sure that the drive is safe. If you do work on the drive when it is energized, it will cause serious injury or death from electrical shock.*

1. Remove the keypad (B) and front cover (A).

Shut off power to the drive and wait for the time specified on the drive warning label at a minimum. Make sure that the charge indicator LED is unlit, then remove the keypad and front cover. Refer to the drive manuals for more information.

NOTICE *Damage to Equipment. When you touch the option, make sure that you observe correct electrostatic discharge (ESD) procedures. If you do not follow procedures, it can cause ESD damage to the drive circuitry.*

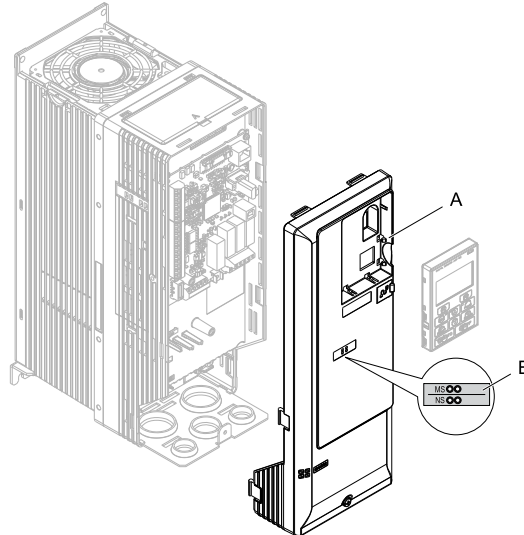


A - Drive front cover

B - Keypad

Figure 5.9 Remove the Front Cover and Keypad

2. Put the LED label (B) in the correct position on the drive front cover (A).

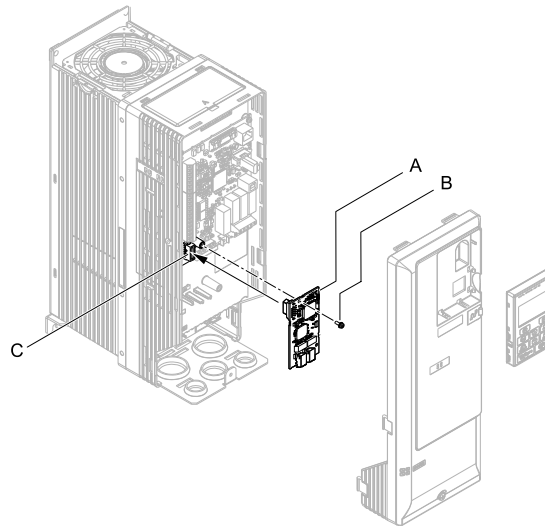


A - Drive front cover

B - LED label

Figure 5.10 Put the LED Label on the Drive Front Cover

3. Install the option (A) into the CN5 connector (C) on the drive and use one of the included screws (B) to put it in place.



A - Option
B - Included screws

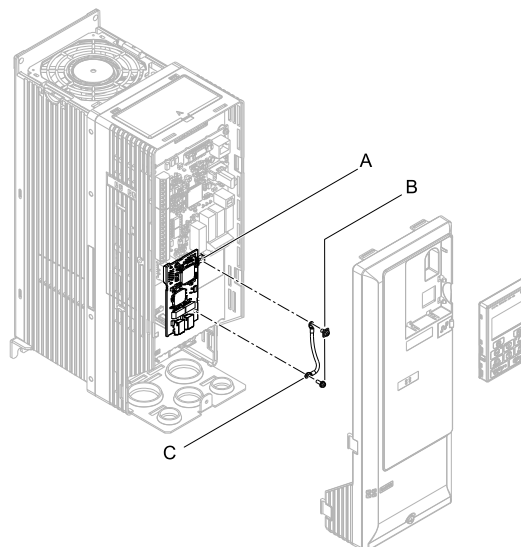
C - Connector CN5

Figure 5.11 Install the Option

4. Use one of the remaining included screws (B) to connect one end of the ground wire (C) to the ground terminal (A). Use the last remaining included screw (B) to connect the other end of the ground wire (C) to the remaining ground terminal and installation hole on the option (A).

Tighten the screws to a correct tightening torque:

- 0.5 N·m to 0.6 N·m (4.4 in·lb to 5.3 in·lb)



A - Drive grounding terminal (FE)
B - Included screw

C - Ground wire

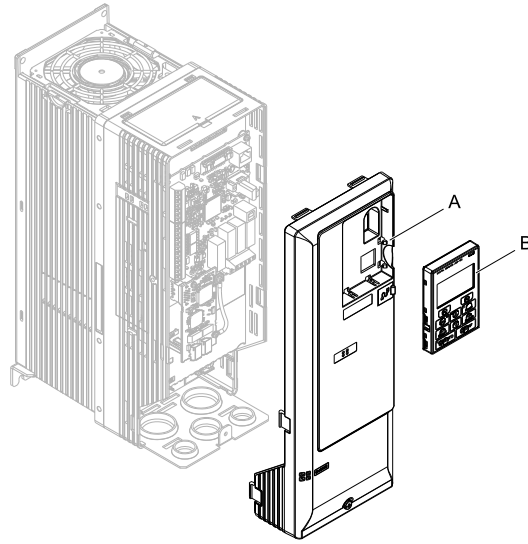
Figure 5.12 Connect the Ground Wire

5. Firmly connect the Ethernet communication cable to option modular connector CN1 port 1 or port 2. Isolate communication cables from main circuit wiring and other electrical and power lines. Make sure that you firmly connect the cable end. (Refer to [Figure 5.28](#)). Refer to [Communication Cable Specifications on page 26](#) for more information.

NOTICE *Damage to Equipment.* When you touch the option, make sure that you observe correct electrostatic discharge (ESD) procedures. If you do not follow procedures, it can cause ESD damage to the drive circuitry.

6. Reattach the drive front cover (A) and the keypad (B). Refer to the drive manuals for more information.

NOTICE *Do not pinch cables between the front covers and the drive. Failure to comply could cause erroneous operation.*



A - Drive front cover

B - Keypad

Figure 5.13 Replace the Front Cover and Keypad

7. Set drive parameters in [Related Drive Parameters on page 27](#) for correct option performance.

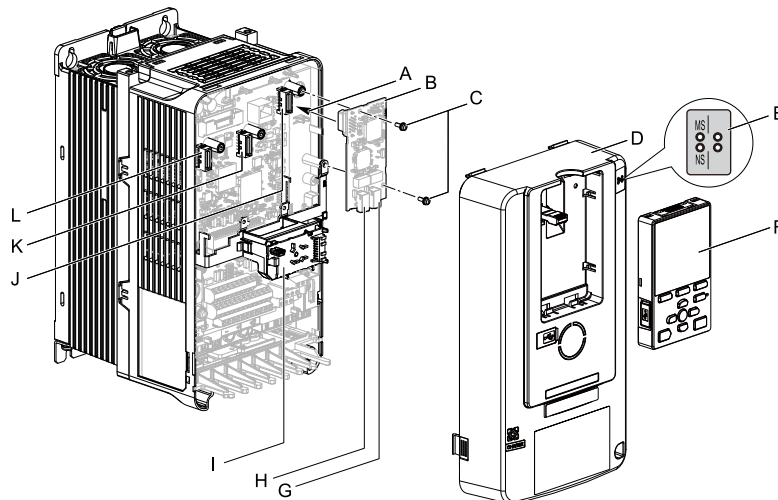
■ Procedure C

This section shows the procedure to install and wire the option on a GA700 or GA800 drive.

Prepare the Drive for the Option

Before you install the option on a YASKAWA AC Drive GA700 or GA800, make sure that the option software version is PRG: 0383 or later.

Correctly wire the drive as specified by the manual packaged with the drive. Make sure that the drive functions correctly. Refer to the drive manuals for more information.



A - Insertion point for CN5 connector

B - Option

C - Included screws

D - Drive front cover

E - LED label

F - Keypad

G - Option modular connector CN1 port 1 (RJ45)

H - Option modular connector CN1 port 2 (RJ45)

I - LED Status Ring board

J - Connector CN5-A

K - Connector CN5-B (Not available for communication option installation.)

L - Connector CN5-C (Not available for communication option installation.)

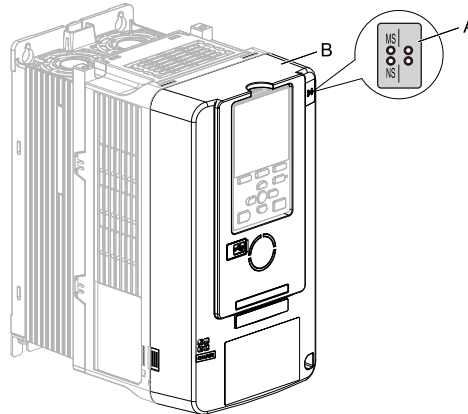
Figure 5.14 Drive Components with Option

Install the Option

Use this procedure to install the option.

⚠ DANGER *Electrical Shock Hazard. Do not examine, connect, or disconnect wiring on an energized drive. Before servicing, disconnect all power to the equipment and wait for the time specified on the warning label at a minimum. The internal capacitor stays charged after the drive is de-energized. The charge indicator LED extinguishes when the DC bus voltage decreases below 50 Vdc. When all indicators are OFF, measure for dangerous voltages to make sure that the drive is safe. If you do work on the drive when it is energized, it will cause serious injury or death from electrical shock.*

1. Put the LED label (A) in the correct position on the drive front cover (B).



A - LED label

B - Drive front cover

Figure 5.15 Put the LED Label on the Drive Front Cover

2. Remove the keypad (E) and front cover (D).

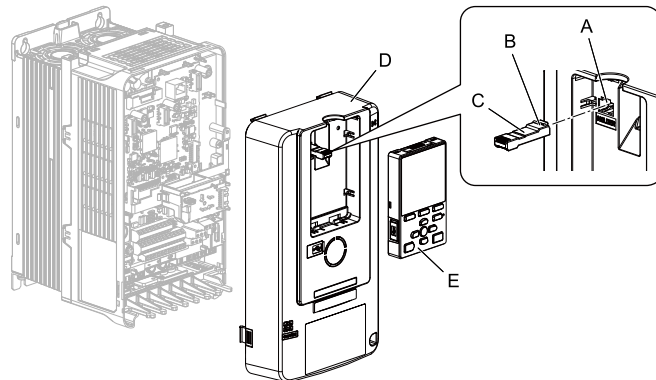
Shut off power to the drive and wait for the time specified on the drive warning label at a minimum. Make sure that the charge indicator LED is unlit, then remove the keypad and front cover. Refer to the drive manuals for more information.

You can only install this option into the CN5-A connector on the drive control board.

NOTICE *Damage to Equipment. When you touch the option, make sure that you observe correct electrostatic discharge (ESD) procedures. If you do not follow procedures, it can cause ESD damage to the drive circuitry.*

Note:

Remove the keypad, then move the keypad connector to the holder on the drive, then remove the front cover.



A - Holder

B - Keypad connector tab

C - Keypad connector

D - Drive front cover

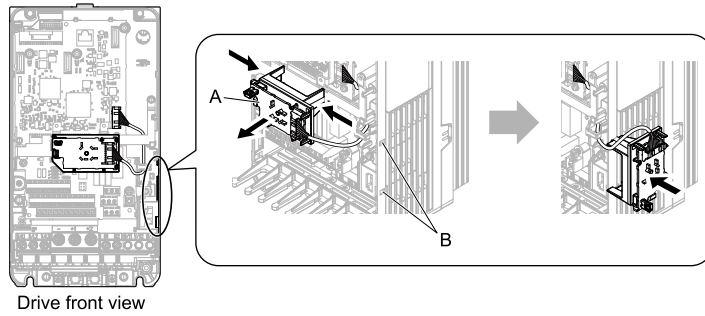
E - Keypad

Figure 5.16 Remove the Front Cover and Keypad

3. Carefully remove the LED Status Ring board (A) and put it in the temporary placement holes (B) on the right side of the drive.

Refer to the drive manuals for more information.

NOTICE *Do not remove the LED Status Ring board cable connector. If you disconnect the LED Status Ring board, it can cause incorrect operation and damage to the drive.*



A - LED Status Ring board

B - Temporary placement holes

Figure 5.17 Remove the LED Status Ring Board

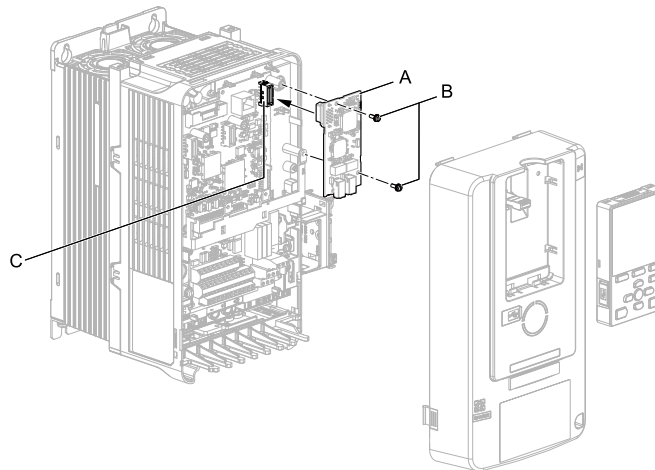
4. Install the option (A) into the CN5-A connector (C) on the drive and use the included screws (B) to put it in place.

Tighten the screws to a correct tightening torque:

- 0.5 N·m to 0.6 N·m (4.4 in·lb to 5.3 in·lb)

Note:

1. A ground wire is not necessary. Do not use the ground wire.
2. Only two screws are necessary to install the option on a GA700 and GA800 drive.
3. Three screws and one ground wire are packaged with option.



A - Option

B - Included screws

C - Connector CN5-A

Figure 5.18 Install the Option

5. Firmly connect the Ethernet communication cable to the option modular connector CN1 port 1 or port 2. Isolate communication cables from main circuit wiring and other electrical and power lines. Make sure that you firmly connect the cable end. (Refer to [Figure 5.28](#)). Refer to [Communication Cable Specifications on page 26](#) for more information.

NOTICE *Damage to Equipment. When you touch the option, make sure that you observe correct electrostatic discharge (ESD) procedures. If you do not follow procedures, it can cause ESD damage to the drive circuitry.*

Note:

Maximum transmission distance is 100 m (328 ft). Minimum wiring distance between stations is 0.2 m (7.9 in).

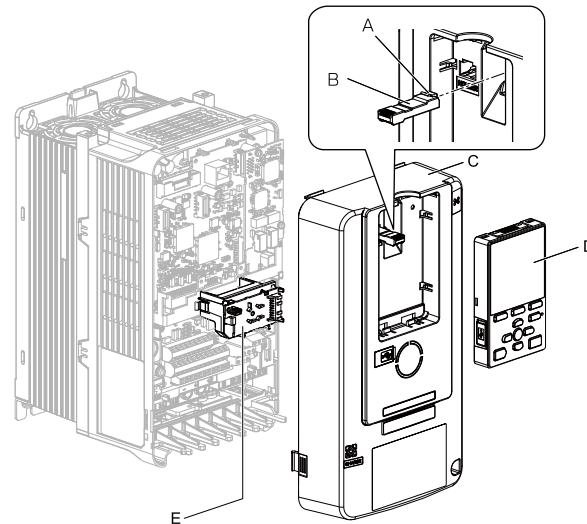
6. Reattach the LED Status Ring board (E), front cover (C), and keypad (D).

Refer to the drive manuals for more information.

NOTICE *Do not pinch cables between the front cover or the LED Status Ring board and the drive. Failure to comply could cause erroneous operation.*

Note:

- Replace the keypad connector then install the keypad.
- Put the keypad connector tab into the holder when you install the keypad connector to the holder.



A - Keypad connector tab
 B - Keypad connector
 C - Drive front cover

D - Keypad
 E - LED Status Ring board

Figure 5.19 Install the LED Status Ring board, Front Cover, and Keypad

7. Set drive parameters in [Related Drive Parameters on page 27](#) for correct option performance.

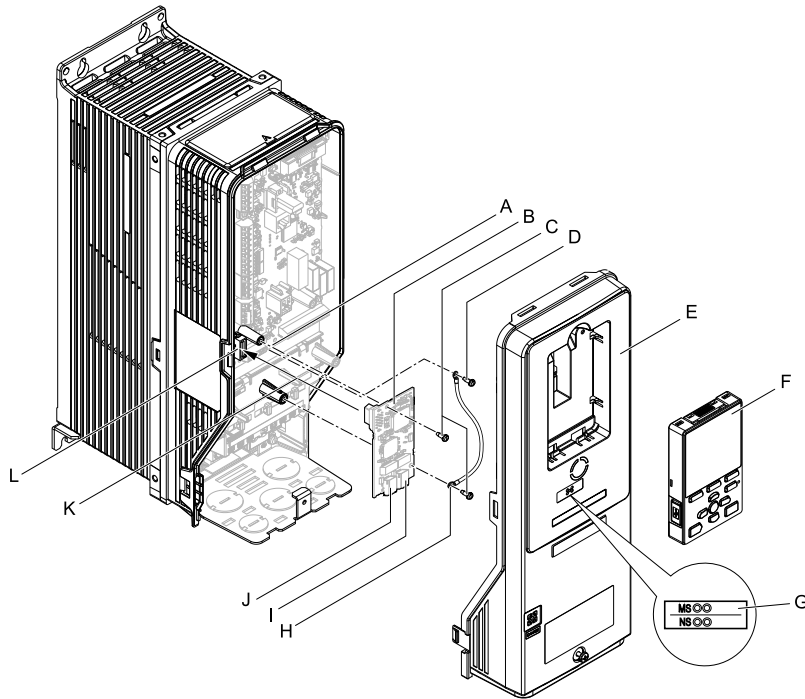
■ Procedure D

This section shows the procedure to install and wire the option on an HV600 or FP605 drive.

Prepare the Drive for the Option

Before you install the option on an HV600 or FP605 drive, make sure that the option software version is PRG: 0383 or later.

Correctly wire the drive as specified by the manual packaged with the drive. Make sure that the drive functions correctly. Refer to the drive manuals for more information.



- | | |
|--|---|
| A - Drive grounding terminal (FE) | G - LED label |
| B - Option | H - Ground wire |
| C - Included screws | I - Option modular connector CN1 port 1 (RJ45) |
| D - Ground screw | J - Option modular connector CN1 port 2 (RJ45) |
| E - Drive front cover | K - Insertion point for connector (HV600: CN5, FP605: CN5-A) |
| F - Keypad | L - Connector (HV600: CN5, FP605: CN5-A) |

Figure 5.20 Drive Components with Option

Install the Option

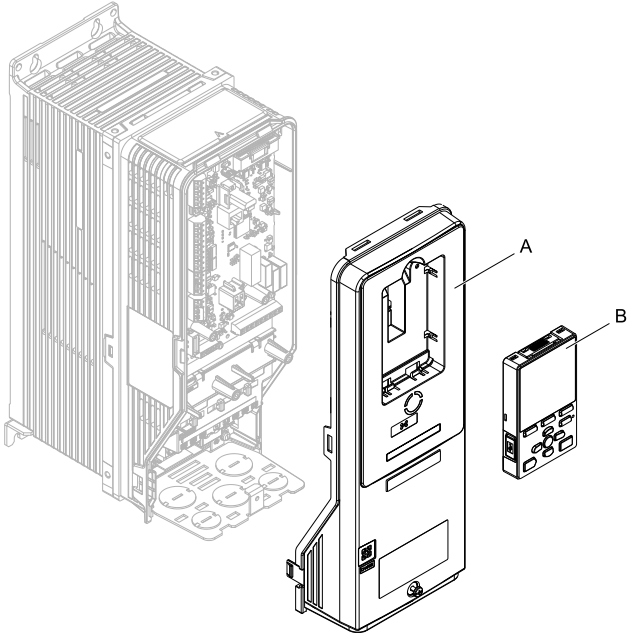
Use this procedure to install the option.

⚠ DANGER *Electrical Shock Hazard. Do not examine, connect, or disconnect wiring on an energized drive. Before servicing, disconnect all power to the equipment and wait for the time specified on the warning label at a minimum. The internal capacitor stays charged after the drive is de-energized. The charge indicator LED extinguishes when the DC bus voltage decreases below 50 Vdc. When all indicators are OFF, measure for dangerous voltages to make sure that the drive is safe. If you do work on the drive when it is energized, it will cause serious injury or death from electrical shock.*

1. Remove the keypad (B) and front cover (A).

Shut off power to the drive and wait for the time specified on the drive warning label at a minimum. Make sure that the charge indicator LED is unlit, then remove the keypad and front cover. Refer to the drive manuals for more information.

NOTICE *Damage to Equipment. When you touch the option, make sure that you observe correct electrostatic discharge (ESD) procedures. If you do not follow procedures, it can cause ESD damage to the drive circuitry.*

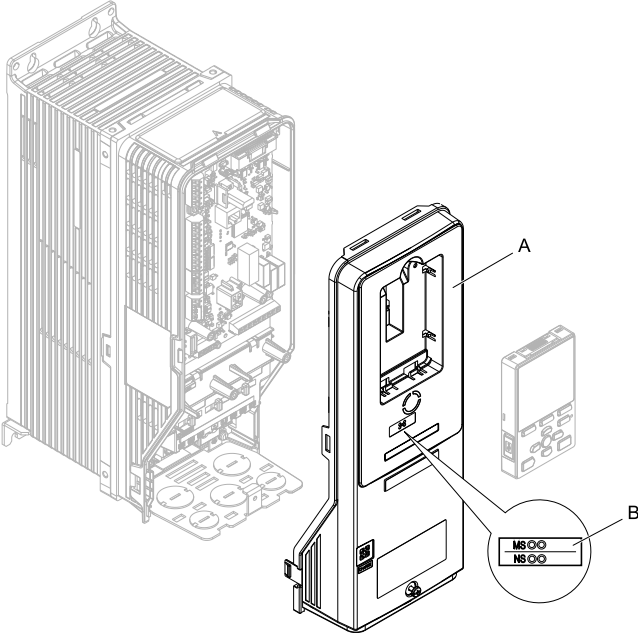


A - Drive front cover

B - Keypad

Figure 5.21 Remove the Front Cover and Keypad

- 2. Put the LED label (B) in the correct position on the drive front cover (A).

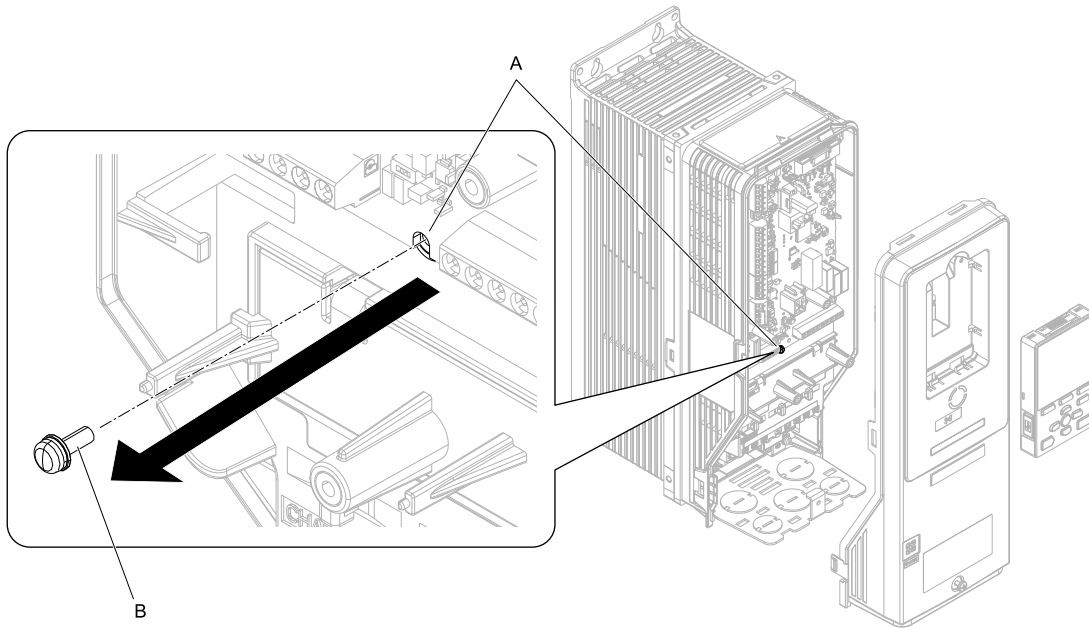


A - Drive front cover

B - LED label

Figure 5.22 Put the LED Label on the Drive Front Cover

- Remove the screw (B) installed in the drive grounding terminal (A).



A - Drive grounding terminal (FE)

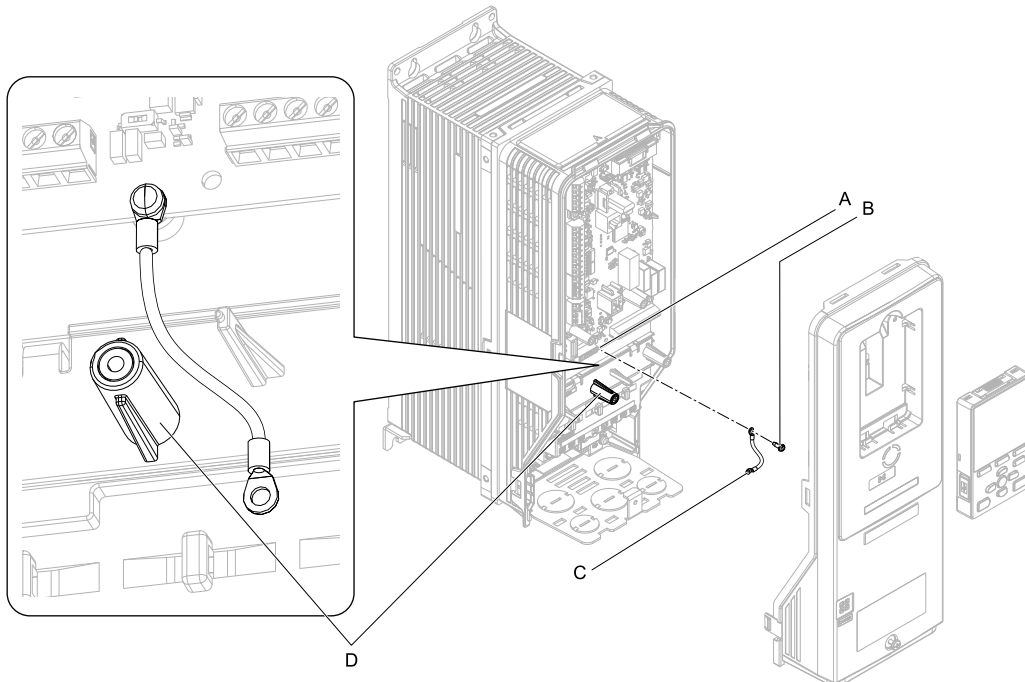
B - Ground screw

Figure 5.23 Remove the Screw from the Drive Grounding Terminal

- Use the screw (B) installed in the FE ground terminal of the drive (A) to connect one end of the included ground wire (C) to the ground terminal on the drive.
Tighten the screw to a correct tightening torque:
 - 0.5 N·m to 0.6 N·m (4.4 in·lb to 5.3 in·lb)

Note:

Route ground wire on the right side of the stud (D).



A - Drive grounding terminal (FE)

B - Ground screw

C - Ground wire

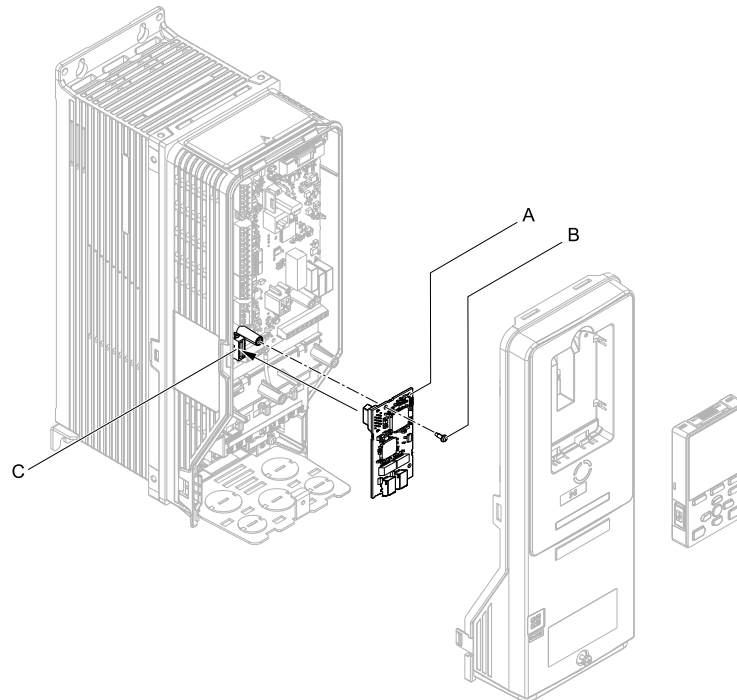
D - Stud

Figure 5.24 Connect the Ground Wire

- Install the option (A) into the connector (C) (HV600: CN5, FP605: CN5-A) on the drive and use the included screws (B) to put it in place.
Tighten the screw to a correct tightening torque:
 - 0.5 N·m to 0.6 N·m (4.4 in·lb to 5.3 in·lb)

Note:

Only two screws are necessary to install the option on HV600 and FP605 drives.



A - Option
B - Included screw

C - Connector CN5

Figure 5.25 Install the Option

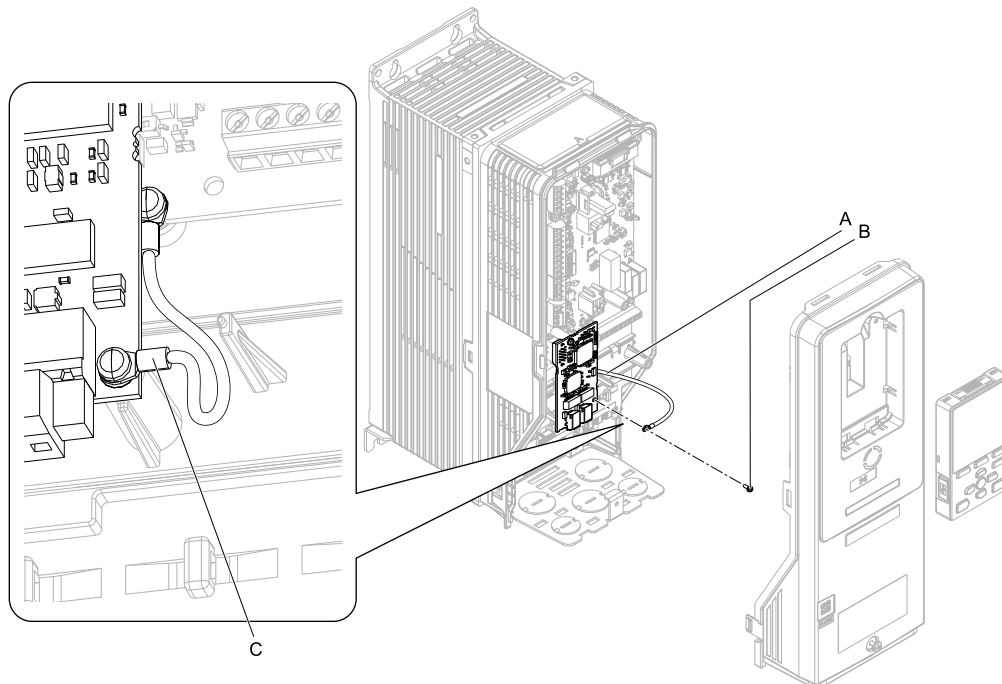
6. Use one of the remaining included screws (B) to connect the ground wire (A) to the ground terminal and installation hole on the option.

Tighten the screw to a correct tightening torque:

- 0.5 N·m to 0.6 N·m (4.4 in·lb to 5.3 in·lb)

Note:

Refer to [Figure 5.26](#) for instruction about crimp terminal orientation (C) and wire routing.



A - Ground wire
B - Included screw

C - Crimp terminal

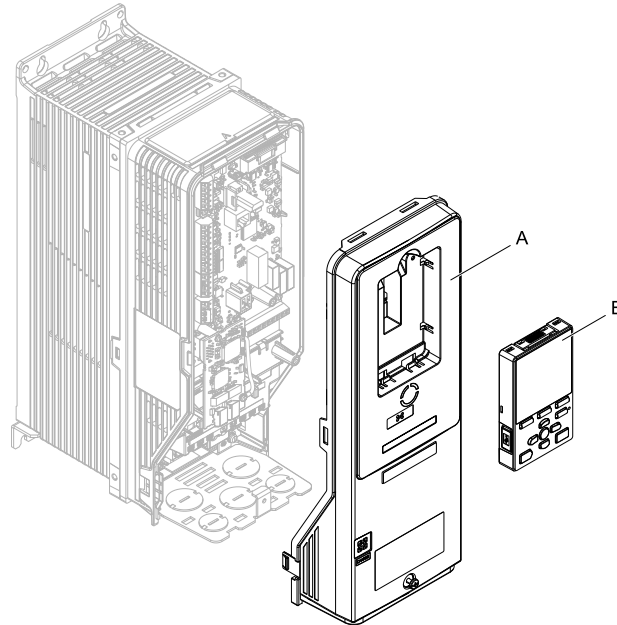
Figure 5.26 Connect the Ground Wire

7. Firmly connect the Ethernet communication cable to option modular connector CN1 port 1 or port 2. Isolate communication cables from main circuit wiring and other electrical and power lines. Make sure that you firmly connect the cable end. (Refer to [Figure 5.28](#)). Refer to [Communication Cable Specifications on page 26](#) for more information.

NOTICE *Damage to Equipment.* When you touch the option, make sure that you observe correct electrostatic discharge (ESD) procedures. If you do not follow procedures, it can cause ESD damage to the drive circuitry.

8. Reattach the drive front cover (A) and the keypad (B). Refer to the drive manuals for more information.

NOTICE *Do not pinch cables between the front covers and the drive. Failure to comply could cause erroneous operation.*



A - Drive front cover

B - Keypad

Figure 5.27 Replace the Front Cover and Keypad

9. Set drive parameters in [Related Drive Parameters on page 27](#) for correct option performance.

◆ Communication Cable Specifications

Yaskawa recommends using shielded Cat5e cable. The Yaskawa warranty does not cover other cable types.

■ Option Connection Diagram

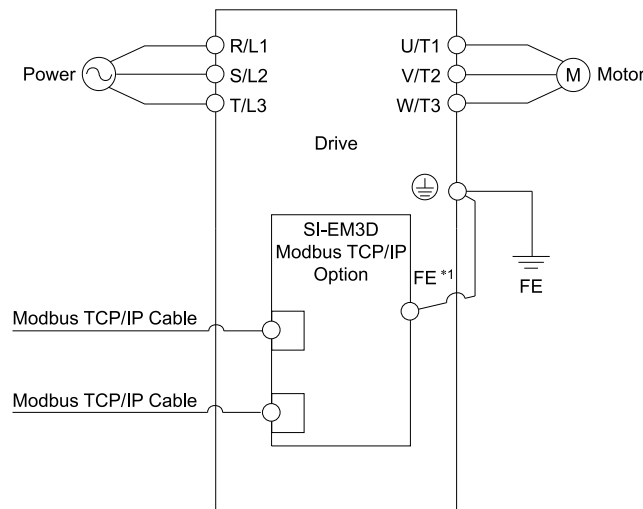


Figure 5.28 Option Connection Diagram

*1 Connect the specified ground wire for installations on 1000-series, GA500, HV600, and FP605 drives. The ground wire is not necessary for installation on GA700 or GA800 drives.

■ Communication Cable Wiring

The option modular connectors CN1 port 1 and CN1 port 2 act as a switch to allow for flexibility in cabling topology. You can use a traditional star network topology using CN1 port 1 or CN1 port 2 on the option. Alternatively, you can use a daisy-chained approach by using both CN1 port 1 and CN1 port 2. The daisy-chained approach uses fewer Ethernet switch ports. A ring topology is also possible. RSTP is available to be used in a ring topology.

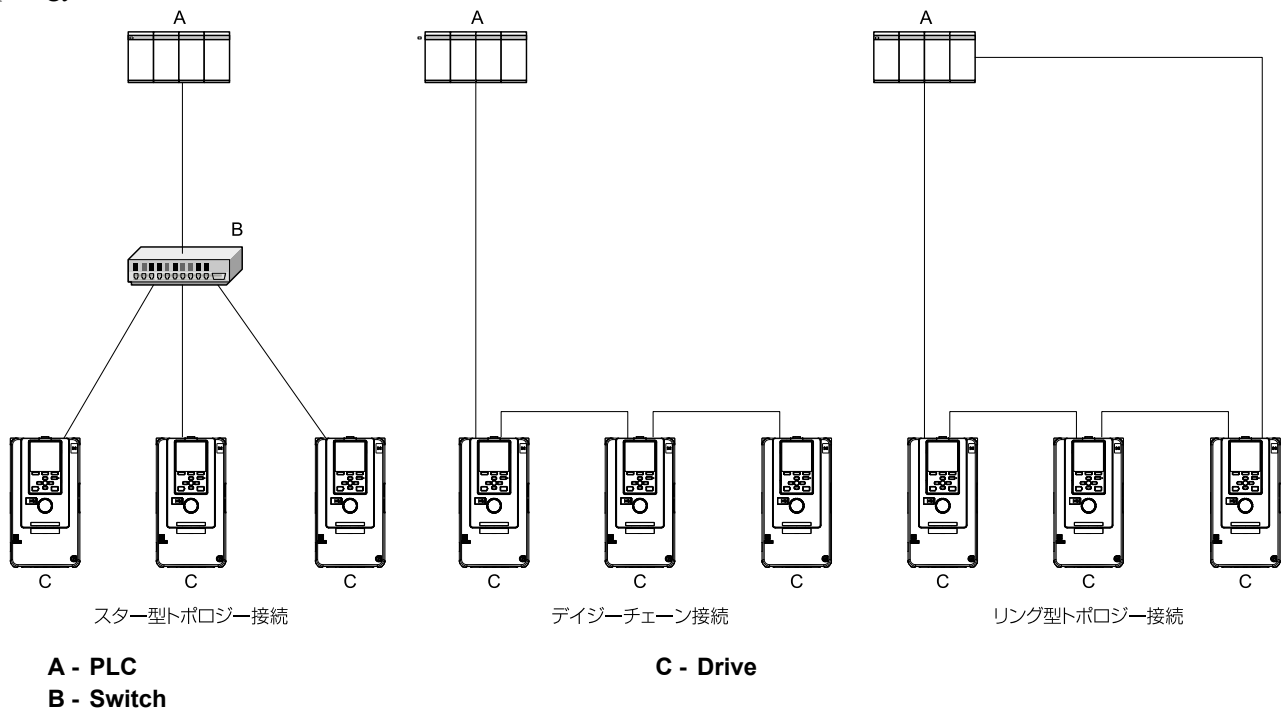


Figure 5.29 Communication Cable Wiring

6 Related Drive Parameters

These parameters set the drive for operation with the option. Make sure that the parameter settings in this table are correct before you start network communications.

Note:

Hex.: MEMOBUS addresses that you can use to change parameters over network communication are represented in hexadecimal numbers.

No. (Hex.)	Name	Description	Default (Range)
b1-01 (0180)	Frequency Reference Selection 1	<p>Selects the input method for frequency reference.</p> <p>0: Keypad 1: Analog Input 2: Memobus/Modbus Communications 3: Option PCB 4: Pulse Train Input</p> <p>Note:</p> <ul style="list-style-type: none"> Set <i>b1-02</i> = 3 [<i>Run Command Selection 1 = Option PCB</i>] to use the master device and serial communications to start and stop the drive. Set <i>b1-01</i> = 3 to use the master device to control the frequency reference of the drive. The default setting is different for different drives. Refer to the instruction manual of your specific drive for more information. 	1 (0 - 4)
b1-02 (0181)	Run Command Selection 1	<p>Selects the input method for the Run command.</p> <p>0: Keypad 1: Digital Input 2: Memobus/Modbus Communications 3: Option PCB 7: AUTO Command + Term Run 8: AUTO Command + Serial Run 9: AUTO Command + Option Run</p> <p>Note:</p> <ul style="list-style-type: none"> Set <i>b1-02</i> = 3 to start and stop the drive with the master device using serial communications. Set <i>b1-01</i> = 3 [<i>Frequency Reference Selection 1 = Option PCB</i>] to use the master device to control the frequency reference of the drive. Settings 7 to 9 are available in HV600 software versions PRG: 1011 and later. 	1 (0 - 9)

6 Related Drive Parameters

No. (Hex.)	Name	Description	Default (Range)
F6-01 (03A2)	Communication Error Selection	<p>Selects drive response when the drive detects a <i>bUS [Option Communication Error]</i> error during communications with the option.</p> <p>0 : Ramp to Stop 1 : Coast to Stop 2 : Fast Stop (Use C1-09) 3 : Alarm Only 4 : Alarm (Run at <i>d1-04</i>) 5 : Alarm - Ramp Stop</p> <p>Note:</p> <ul style="list-style-type: none"> When you set this parameter to 3 or 4, the drive will continue operation after it detects a fault. Separately prepare safety protection equipment and systems, for example fast-stop switches. Refer to the drive manual to know if settings 4 and 5 are available. The setting range for 1000-Series drives is different for different software versions. Refer to the Peripheral Devices & Options section of the drive instruction manual for more information. Changes to this parameter take effect immediately. It is not necessary to cycle power on the drive. 	1 (0 - 5)
F6-02 (03A3)	Comm External Fault (EF0) Detect	<p>Selects the conditions at which <i>EF0 [Option Card External Fault]</i> is detected.</p> <p>0 : Always Detected 1 : Detected during RUN Only</p>	0 (0, 1)
F6-03 (03A4)	Comm External Fault (EF0) Select	<p>Selects the operation of the drive when <i>EF0 [Option Card External Fault]</i> is detected.</p> <p>0 : Ramp to Stop 1 : Coast to Stop 2 : Fast Stop (Use C1-09) 3 : Alarm Only</p> <p>Note:</p> <p>When you set this parameter to 3, the drive will continue operation after it detects a fault. Separately prepare safety protection equipment and systems, for example fast stop switches.</p>	1 (0 - 3)
F6-06 (03A7)	Torque Reference/Limit by Comm	<p>Sets the function that enables and disables the torque reference and torque limit received from the communication option.</p> <p>0 : Disable 1 : Enabled</p> <p>Note:</p> <ul style="list-style-type: none"> Control method availability of this parameter is different for different product series. -1000-Series Parameter is available in <i>A1-02 = 3, 6, 7 [Control Method Selection = Closed Loop Vector, PM Advanced Open Loop Vector, PM Closed Loop Vector]</i>. When you enable this parameter, <i>d5-01 [Torque Control Selection]</i> sets the drive to read the value as the Torque Limit value or the Torque Reference value. <i>d5-01 = 0 [Speed Control]:</i> Torque Limit <i>d5-01 = 1 [Torque Control]:</i> Torque Reference When <i>A1-02 = 6 [Control Method Selection = PM Advanced Open Loop Vector]</i>, this value is read as the Torque Limit. -GA500 Parameter is available in <i>A1-02 = 2, 6, 8 [Control Method Selection = Open Loop Vector, PM Advanced Open Loop Vector, EZ Vector Control]</i>. The drive reads this value as the Torque Limit. -GA700, GA800 Parameter is available in <i>A1-02 = 2, 3, 4, 6, 7, 8 [Control Method Selection = Open Loop Vector, Closed Loop Vector, Advanced Open Loop Vector, PM Advanced Open Loop Vector, PM Closed Loop Vector, EZ Vector Control]</i>. When you enable this parameter, <i>d5-01 [Torque Control Selection]</i> sets the drive to read the value as the Torque Limit value or the Torque Reference value. <i>d5-01 = 0 [Speed Control]:</i> Torque Limit <i>d5-01 = 1 [Torque Control]:</i> Torque Reference When <i>A1-02 = 2, 8 [Control Method Selection = Open Loop Vector, EZ Vector Control]</i>, this value is read as the Torque Limit. -HV600, FP605 Torque Limit is enabled when <i>A1-02 = 8 [Control Method Selection = EZ Vector Control]</i>. <ul style="list-style-type: none"> If the PLC does not supply a torque reference or torque limit when <i>F6-06 = 1 [Torque Reference/Limit by Comm = Enabled]</i>, the motor cannot rotate. 	0 (0, 1)
F6-07 (03A8)	Multi-Step Ref @ NetRef/ComRef	<p>0 : Disable Multi-Step References 1 : Enable Multi-Step References</p> <p>Note:</p> <p>Default setting of <i>F6-07</i> is 1 for GA500.</p>	0 (0, 1)
F6-08 (036A)	Comm Parameter Reset @Initialize	<p>Selects whether communication-related parameters <i>F6-xx</i> and <i>F7-xx</i> are set back to original default values when you use parameter <i>A1-03 [Initialize Parameters]</i> to initialize the drive.</p> <p>0 : No Reset - Parameters Retained 1 : Reset - Back to Factory Default</p> <p>Note:</p> <p>When you set <i>F6-08</i> to 1 and you then use <i>A1-03</i> to initialize the drive, the drive will not change this setting value.</p>	0 (0, 1)
F6-14 (03BB)	Bus Error Auto Reset	<p>Enables and disables the automatic reset of a <i>bUS [Option Communication Error]</i> fault.</p> <p>0 : Disabled 1 : Enabled</p> <p>Note:</p> <ul style="list-style-type: none"> This parameter is not available in all 1000-series drives. 	0 (0, 1)

No. (Hex.)	Name	Description	Default (Range)
		<ul style="list-style-type: none"> Changes to this parameter take effect immediately. It is not necessary to cycle power on the drive. 	
F6-15 (0B5B)	Comm. Option Parameters Reload	<p>Sets when the drive will activate the F6-xx/F7-xx communications-related parameters that you changed. Use this parameter as an alternative to cycling power to the drive to active parameters.</p> <p>0 : Reload at Next Power Cycle 1 : Reload Now 2 : Cancel Reload Request</p> <p>Note:</p> <ul style="list-style-type: none"> F6-15 is reset to 0 after setting 1 or 2. This parameter is not available in all 1000-series drives. Changes to this parameter take effect immediately. It is not necessary to cycle power on the drive. 	0 (0 - 2)
F7-01 (03E5)	IP Address 1	<p>Sets the static/fixed IP address. Sets the most significant octet.</p> <p>Note:</p> <ul style="list-style-type: none"> This parameter is only effective when F7-13 = 0 [Address Mode at Startup = Static]. All IP Addresses must be unique. You must cycle power to the drive for the changes to take effect. For non-1000 series drives, you can set F6-15 = 1 [Comm. Option Parameters Reload = Reload Now]. 	192 (0 - 255)
F7-02 (03E6)	IP Address 2	<p>Sets the static/fixed IP address. Sets the second most significant octet.</p> <p>Note:</p> <ul style="list-style-type: none"> This parameter is only effective when F7-13 = 0 [Address Mode at Startup = Static]. All IP Addresses must be unique. You must cycle power to the drive for the changes to take effect. For non-1000 series drives, you can set F6-15 = 1 [Comm. Option Parameters Reload = Reload Now]. 	168 (0 - 255)
F7-03 (03E7)	IP Address 3	<p>Sets the static/fixed IP address. Sets the third most significant octet.</p> <p>Note:</p> <ul style="list-style-type: none"> This parameter is only effective when F7-13 = 0 [Address Mode at Startup = Static]. All IP Addresses must be unique. You must cycle power to the drive for the changes to take effect. For non-1000 series drives, you can set F6-15 = 1 [Comm. Option Parameters Reload = Reload Now]. 	1 (0 - 255)
F7-04 (03E8)	IP Address 4	<p>Sets the static/fixed IP address. Sets the fourth most significant octet.</p> <p>Note:</p> <ul style="list-style-type: none"> This parameter is only effective when F7-13 = 0 [Address Mode at Startup = Static]. All IP Addresses must be unique. You must cycle power to the drive for the changes to take effect. For non-1000 series drives, you can set F6-15 = 1 [Comm. Option Parameters Reload = Reload Now]. 	20 (0 - 255)
F7-05 (03E9)	Subnet Mask 1	<p>Sets the static/fixed Subnet Mask. Sets the most significant octet.</p> <p>Note:</p> <ul style="list-style-type: none"> This parameter is only effective when F7-13 = 0 [Address Mode at Startup = Static]. All IP Addresses must be unique. You must cycle power to the drive for the changes to take effect. For non-1000 series drives, you can set F6-15 = 1 [Comm. Option Parameters Reload = Reload Now]. 	255 (0 - 255)
F7-06 (03EA)	Subnet Mask 2	<p>Sets the static/fixed Subnet Mask. Sets the second most significant octet.</p> <p>Note:</p> <ul style="list-style-type: none"> This parameter is only effective when F7-13 = 0 [Address Mode at Startup = Static]. All IP Addresses must be unique. You must cycle power to the drive for the changes to take effect. For non-1000 series drives, you can set F6-15 = 1 [Comm. Option Parameters Reload = Reload Now]. 	255 (0 - 255)
F7-07 (03EB)	Subnet Mask 3	<p>Sets the static/fixed Subnet Mask. Sets the third most significant octet.</p> <p>Note:</p> <ul style="list-style-type: none"> This parameter is only effective when F7-13 = 0 [Address Mode at Startup = Static]. All IP Addresses must be unique. You must cycle power to the drive for the changes to take effect. For non-1000 series drives, you can set F6-15 = 1 [Comm. Option Parameters Reload = Reload Now]. 	255 (0 - 255)
F7-08 (03EC)	Subnet Mask 4	<p>Sets the static/fixed Subnet Mask. Parameter F7-08 sets the fourth most significant octet.</p> <p>Note:</p> <ul style="list-style-type: none"> This parameter is only effective when F7-13 = 0 [Address Mode at Startup = Static]. All IP Addresses must be unique. You must cycle power to the drive for the changes to take effect. For non-1000 series drives, you can set F6-15 = 1 [Comm. Option Parameters Reload = Reload Now]. 	0 (0 - 255)
F7-09 (03ED)	Gateway Address 1	<p>Sets the static/fixed Gateway address. Sets the most significant octet.</p> <p>Note:</p> <ul style="list-style-type: none"> This parameter is only effective when F7-13 = 0 [Address Mode at Startup = Static]. All IP Addresses must be unique. You must cycle power to the drive for the changes to take effect. For non-1000 series drives, you can set F6-15 = 1 [Comm. Option Parameters Reload = Reload Now]. 	192 (0 - 255)
F7-10 (03EE)	Gateway Address 2	<p>Sets the static/fixed Gateway address. Sets the second most significant octet.</p> <p>Note:</p> <ul style="list-style-type: none"> This parameter is only effective when F7-13 = 0 [Address Mode at Startup = Static]. All IP Addresses must be unique. You must cycle power to the drive for the changes to take effect. For non-1000 series drives, you can set F6-15 = 1 [Comm. Option Parameters Reload = Reload Now]. 	168 (0 - 255)
F7-11	Gateway Address 3	<p>Sets the static/fixed Gateway address. Sets the third most significant octet.</p>	1

6 Related Drive Parameters

No. (Hex.)	Name	Description	Default (Range)
(03EF)		<p>Note:</p> <ul style="list-style-type: none"> This parameter is only effective when $F7-13 = 0$ [Address Mode at Startup = Static]. All IP Addresses must be unique. You must cycle power to the drive for the changes to take effect. For non-1000 series drives, you can set $F6-15 = 1$ [Comm. Option Parameters Reload = Reload Now]. 	(0 - 255)
F7-12 (03F0)	Gateway Address 4	<p>Sets the static/fixed Gateway address. Parameter F7-12 sets the fourth most significant octet.</p> <p>Note:</p> <ul style="list-style-type: none"> This parameter is only effective when $F7-13 = 0$ [Address Mode at Startup = Static]. All IP Addresses must be unique. You must cycle power to the drive for the changes to take effect. For non-1000 series drives, you can set $F6-15 = 1$ [Comm. Option Parameters Reload = Reload Now]. 	1 (0 - 255)
F7-13 (03F1)	Address Startup Mode	<p>Selects how the option address is set.</p> <p>0 : Static (Use F7-01 to F7-12 to set.) 1 : BOOTP (Use network address.) 2 : DHCP (Use network address.)</p> <p>Note:</p> <p>You must cycle power to the drive for the changes to take effect. For non-1000 series drives, you can set $F6-15 = 1$ [Comm. Option Parameters Reload = Reload Now].</p>	2 (0 - 2)
F7-14 (03F2)	Duplex Mode Selection	<p>Selects duplex mode setting (Port 1/Port 2).</p> <p>0 : Half/Half 1 : Auto/Auto 2 : Full/Full 3 : Half/Auto 4 : Half/Full 5 : Auto/Half 6 : Auto/Full 7 : Full/Half 8 : Full/Auto</p> <p>Note:</p> <ul style="list-style-type: none"> When you set this parameter to 0, 2, 3, 4, 7, or 8, you must also set $F7-15 = 0.0$. This option sets the duplex mode for port 1 and port 2 as specified by these F7-14. <ul style="list-style-type: none"> When 0: Half/Half, port 1/port 2 is set to Half. When 1: Auto/Auto, port 1/port 2 is set to Auto. When 2: Full/Full, port 1/port 2 is set to Full. When 3: Half/Auto, port 1 is set to Half and port 2 is set to Auto. When 4: Half/Full, port 1 is set to Half and port 2 is set to Full. When 5: Auto/Half, port 1 is set to Auto and port 2 is set to Half. When 6: Auto/Full, port 1 is set to Auto and port 2 is set to Full. When 7: Full/Half, port 1 is set to Full and port 2 is set to Half. When 8: Full/Auto, port 1 is set to Full and port 2 is set to Auto. 	1 (0 - 8)
F7-15 (03F3)	Communication Speed Selection	<p>Sets the communications speed (Port 1 / Port 2).</p> <p>10 : 10/10 Mbps 100 : 100/100 Mbps 101 : 10/100 Mbps 102 : 100/10 Mbps</p> <p>Note:</p> <ul style="list-style-type: none"> $F7-15$ is only effective when the port is set to half or full duplex in $F7-14$ [Duplex Mode Selection]. The default setting and setting range are different for different product series. <ul style="list-style-type: none"> 1000-Series, GA700, GA800 Default value: 10 Range: 10 - 102 GA500 Default value: 10 Range: 10, 100 HV600, FP605 Default value: 10 Range: 10, 102 This option sets the communication speed for port 1 and port 2 as specified by these F7-15 settings: <ul style="list-style-type: none"> When 10: 10/10 Mbps, port 1/port 2 is set to 10 Mbps. When 100: 100/100 Mbps, port 1/port 2 is set to 100 Mbps. When 101: 10/100 Mbps, port 1 is set to 10 Mbps and port 2 is set to 100 Mbps. When 102: 100/10 Mbps, port 1 is set to 100 Mbps and port 2 is set to 10 Mbps. 	10 (10 - 102)
F7-16 (03F4)	Timeout Value	<p>Sets the detection time for a communications timeout.</p> <p>Note:</p> <ul style="list-style-type: none"> Set this parameter to 0.0 to disable the connection timeout function. This parameter is not available in all 1000-series drives. Changes to this parameter take effect immediately. It is not necessary to cycle power on the drive. 	0.0 s (0.0 s - 30.0 s)
H5-11 (043C)	Communications ENTER Function Selection (Function common to communication option)	<p>Sets when an Enter command is necessary to use MEMOBUS/Modbus communications to change parameter values.</p> <p>0 : Parameter changes are activated when ENTER command is written 1 : Parameter changes are activated immediately. No ENTER command is necessary.</p>	0 (0, 1)

Table 6.1 Option Monitor

No.	Name	Description	Range
U6-80 - U6-83	Option IP Address 1 - 4	Shows the currently available local IP Address. <ul style="list-style-type: none"> • U6-80: First octet • U6-81: Second octet • U6-82: Third octet • U6-83: Fourth octet 	0 - 255
U6-84 - U6-87	Online Subnet 1 - 4	Shows the currently available subnet mask. <ul style="list-style-type: none"> • U6-84: First octet • U6-85: Second octet • U6-86: Third octet • U6-87: Fourth octet 	0 - 255
U6-88 - U6-91	Online Gateway 1 - 4	Shows the currently available gateway address. <ul style="list-style-type: none"> • U6-88: First octet • U6-89: Second octet • U6-90: Third octet • U6-91: Fourth octet 	0 - 255
U6-92	Online Speed	Shows CN1 Port 1 link speed currently available.	10: 10 Mbps 100: 100 Mbps
U6-93	Online Duplex	Shows CN1 Port 1 duplex setting currently available.	0: Half/Half 1: Full/Full
U6-94	OPT SPARE 1	Shows CN1 Port 2 link speed currently available.	10: 10 Mbps 100: 100 Mbps
U6-95	OPT SPARE 2	Shows CN1 Port 2 duplex setting currently available.	0: Half/Half 1: Full/Full
U6-96	OPT SPARE 3	RSTP Role and State. Refer to page 49 for more information.	0000 - 9292
U6-97	OPT SPARE 4	Shows option software version.	-
U6-98	First Fault	Shows first option fault. Refer to page 52 for more information.	-
U6-99	Current Fault	Shows current option fault. Refer to page 52 for more information.	-

7 Modbus TCP/IP Messaging

◆ Modbus TCP/IP Overview

The Modbus TCP/IP protocol is essentially the Modbus protocol over an Modbus TCP/IP network. A master controller (typically a PLC) sends commands to slave devices, which then perform the specified functions and send a response to the master. The drive using the option has slave functionality.

■ Supported Modbus TCP/IP Commands

Table 7.1 Supported Modbus TCP/IP Commands

Function Code (Hex.)	Name
03	Read Multiple Registers
06	Write Single Register
10	Write Multiple Registers
17	Read/Write Multiple Registers

■ Drive Modbus TCP/IP Option Registers

All of the command registers, monitor registers, and parameters documented in the drive Technical Manual are accessible via the option.

■ High Speed Access Drive Modbus TCP/IP Option Registers

Many of the registers required for control have been specially mapped to provide higher speed access to increase network performance. Use these registers for the best response times.

As shown in Table 7.2, all of the drive command registers have been mapped to this high speed access area (Modbus TCP/IP registers 01 (Hex.) to 01F (Hex.)). In addition, the monitors shown in Table 7.3 are mapped for high speed access.

You can read and write command data.

Note:

Set bits that you do not use to 0. Do not write to reserved registers.

Table 7.2 Command Register Data

Register Number (Hex.)	Description	
0000	Reserved	
0001	Operation Commands and Multi-function Inputs	
	bit0	<i>H5-12 = 0</i> [Run Command Method Selection = FWD/Stop, REV/Stop]: FWD/Stop 1: Forward operation in progress 0: Stop <i>H5-12 = 1</i> [Run Command Method Selection = Run/Stop, FWD/REV]: Run/Stop 1: Run 0: Stop
	bit1	<i>H5-12 = 0</i> [Run Command Method Selection = FWD/Stop, REV/Stop]: REV/Stop 1: Reverse Operation 0: Stop <i>H5-12 = 1</i> [Run Command Method Selection = Run/Stop, FWD/REV]: FWD/REV 1: Reverse run 0: Forward run
	bit2	External Fault (EF0 [Option Card External Fault])
	bit3	Fault Reset
	bit4	Multi-Function Input 1
	bit5	Multi-Function Input 2
	bit6	Multi-Function Input 3
	bit7	Multi-Function Input 4
	bit8	Multi-Function Input 5
	bit9	Multi-Function Input 6
	bit A	Multi-Function Input 7
	bit B	Multi-Function Input 8
	bit C - F	Reserved
0002	Frequency Reference	Units are determined by parameter <i>o1-03</i> [Frequency Display Unit Selection].
0003	Output voltage gain Unit: 0.1% Setting range: 20 (2.0%) - 2000 (200.0%), the default value at energize: 1000 (100.0%)	
0004	Torque reference/torque limit (0.1% signed)	
0005	Torque compensation (0.1% signed)	
0006	PID setpoint (0.01% signed)	
0007	Multi-Function Analog Output Terminal 1 Setting (10 V / 4000 (Hex.))	
0008	Multi-Function Analog Output Terminal 2 Setting (10 V / 4000 (Hex.))	
0009	MFDO setting	
	bit 0	Multi-Function Contact Output 1 Terminal M1-M2 (varies by drive model)
	bit 1	Multi-Function Contact Output 2 Terminal M3-M4 (varies by drive model)
	bit 2	Multi-Function Contact Output 3 Terminal M5-M6 (varies by drive model)
	bit 3- 5	Reserved
	bit 6	Enables the function in bit 7
	bit 7	Fault Relay Output Terminal MA/MB-MC (varies by drive model)
	bit 8 - F	Reserved
000A	Pulse train output (Units: 1/1 Hz, setting range: 0 - 32000)	

Register Number (Hex.)	Description	
000B - 000E	Reserved	
000F	Command selection setting	
	bit 0	Reserved
	bit 1	Input for the PID setpoint
	bit 2	Torque reference/torque limit input (enables the setting from MEMOBUS/Modbus)
	bit 3	Torque compensation input (enables the setting from MEMOBUS/Modbus)
	bit 4 - B	Reserved
	bit C	Terminal S5 input of broadcast message
	bit D	Terminal S6 input of broadcast message
	bit E	Terminal S7 input of broadcast message
bit F	Terminal S8 input of broadcast message	
0010 - 001A	Reserved	
001B	Analog Monitor Option AO-A3 Analog Output 1 (10 V/4000 (Hex.))	
001C	Analog Monitor Option AO-A3 Analog Output 2 (10 V/4000 (Hex.))	
001D	Digital output option DO-A3 output value (binary)	
001E - 001F	Reserved	

Table 7.3 Drive Registers

No. (Modbus Register)	Drive Registers	Register Name	Bit	Description
2000	4B	Drive Status (U1-12)	0	1: During Run
			1	1: During zero speed
			2	1: During reverse
			3	1: During reset signal input
			4	1: During Speed Agree
			5	1: Drive operation ready
			6	1: Alarm
			7	1: Fault
			8	1: During Operation Error (oPExx)
			9	1: Momentary power loss recovery 0: Power loss recovery
			A	1: Motor 2 Selection
			B	Reserved
			C	Reserved
			D	Reserved
E	ComRef status/ NetRef status			
F	ComCtrl status/ NetCtrl status			
2001	44	Motor Speed Monitor (U1-05)		
2002	48	Torque Reference Monitor (U1-09)		
2003	F0	PG Count Channel 1		
2004	40	Frequency Reference Monitor (U1-01)		
2005	41	Output Frequency Monitor (U1-02)		
2006	26	Output Current (U1-03) (units: 0.1 A)		
2007	4F	Terminal A2 Input Level Monitor (U1-14)		
2008	46	DC Bus Voltage Monitor (U1-07)		
2009	C0	Error Signal 1	0	Reserved
			1	Undervoltage (Uv1)

No. (Modbus Register)	Drive Registers	Register Name	Bit	Description
			2	Control Power Supply Undervoltage (Uv2)
			3	Soft Charge Circuit Fault (Uv3)
			4	Short Circuit/IGBT Failure (SC)
			5	Ground Fault (GF)
			6	Overcurrent (oC)
			7	Overvoltage (ov)
			8	Heatsink Overheat (oH)
			9	Heatsink Overheat (oH1)
			A	Motor Overload (oL1)
			B	Drive Overload (oL2)
			C	Overtorque Detection 1 (oL3)
			D	Overtorque Detection 2 (oL4)
			E	Dynamic Braking Transistor Fault (rr)
			F	Braking Resister Overheat (rH)
200A	C1	Error Signal 2	0	External Fault 3, input terminal S3 (EF3)
			1	External Fault 4, input terminal S4 (EF4)
			2	External Fault 5, input terminal S5 (EF5)
			3	External Fault 6, input terminal S6 (EF6)
			4	External Fault 7, input terminal S7 (EF7)
			5	External Fault 8, input terminal S8 (EF8)
			6	Cooling fan Error (FAn)
			7	Overspeed (oS)
			8	Excessive Speed Deviation (dEv)
			9	PG Disconnected (PGo)
			A	Input Phase Loss (PF)
			B	Output Phase Loss (LF)
			C	Motor Overheat (PTC input) (oH3)
			D	Digital Operator Connection Fault (oPr)
			E	EEPROM Write Error (Err)
			F	Motor Overheat Fault (PTC input) (oH4)
200B	C2	Error Signal 3	0	MEMOBUS/Modbus Communication Error (CE)
			1	Option Communication Error (bUS)
			2	Reserved
			3	Reserved
			4	Control Fault (CF)
			5	Zero Servo Fault (SvE)
			6	Option External Fault (EF0)
			7	PID Feedback Loss (FbL)
			8	Undertorque Detection 1 (UL3)
			9	Undertorque Detection 2 (UL4)
			A	High Slip Braking Overload (oL7)
			B	Reserved
			C	Reserved
			D	Reserved
			E	Reserved
F	Hardware Fault (includes oFx)			

No. (Modbus Register)	Drive Registers	Register Name	Bit	Description
200C	4E	Terminal A1 Input Level Monitor (U1-13)		
200D	49	Digital Input Terminal Status (U1-10)		
200E	50	Terminal A3 Input Level Monitor (U1-15)		
200F	F1	PG Count Channel 2		
2010	4D	Drive Software Number (Flash) (U1-25)		

■ Types of Enter Commands

The drive supports the two Enter commands shown in [Table 7.4](#).

An Enter command is enabled by writing 0 to register number 0900 (Hex.) or 0910 (Hex.).

These registers can be written to only.

An error will occur if the user attempts to read from these registers.

Table 7.4 Types of Enter Commands

Register Number (Hex.)	Description
0900	When you write parameter data to the EEPROM, you will enable the data on the RAM at the same time. Parameter changes remain even if the power supply is cycled.
0910	This updates the data on the RAM, but does not write data to the EEPROM. Parameter changes are lost when the drive is shut off.

Note:

- You can write the EEPROM to the drive a maximum of 100,000 times. Do not frequently execute the Enter command (0900 (Hex.)) that is written to EEPROM. When the command data or broadcast message is transmitted to the drive, the Enter command is not necessary.
- Parameter data cannot be written to EEPROM during undervoltage, even using 0900 (Hex.).
- If undervoltage occurs when a making several parameter changes issued with a single ENTER command, the writing process may be aborted before all of the new changes have been written. Because all of the data has not yet been written, the EEPROM data error *CPF06* will be displayed the next time power to the drive is cycled. To prevent *CPF06*, wait approximately 5 seconds after issuing the ENTER command before shutting off drive power.

■ Enter Command Function Differences Depending on the Setting of H5-11

Table 7.5 Enter Command Function Differences Depending on the Setting of H5-11

H5-11 Settings	H5-11 = 0	H5-11 = 1
Time when the parameter settings are enabled	When the drive receives the Enter command from the master	When you change the parameter settings
Upper and lower limit check	Checks the upper and lower limits and considers the related parameter settings.	Checks the upper and lower limit of the changed parameter only.
Default setting of related parameters	Not affected. The settings of related parameters remain unchanged. They must be changed manually, if needed.	Automatically changes the default settings for the related parameters.
Fault detection when you set more than one parameter	Accepts and responds as usual to correct setting data if the data contains parameter setting errors. The drive discards the disabled setting data, but will not return an error message.	Error occurs if only one setting is invalid. All data sent are discarded. The drive discards the data that was sent.

■ Message Format

The data section of the Modbus packet contains the Modbus message. In this data section, the master sends commands to the slave, and the slave responds. The message format is configured for both sending and receiving as shown below, and the length of data packets depends on the command (function) content.

- Unit Identifier
- Function code
- Data

Unit Identifier

This field is used for intra-system routing purposes. It is typically used to communicate to a Modbus+ or a Modbus serial line slave through a gateway between a Modbus TCP/IP network and a Modbus serial line. This field is set by the Modbus master in the command and must be returned with the same value in the response by the slave. This is sometimes referred to as the Unit ID. This field is not usually used because the drive with the option does not have a gateway function. Refer to the manual of the master or gateway used when you set the value to the Unit identifier.

Function code

When sent by the master, this field identifies the command to be undertaken by the slave. It also identifies the format for the DATA section of the message. The slave normally echoes this command back to the master in its response message. When the most significant bit of this field is set in the response message, it signals an error condition has occurred.

Data

This field contains multiple bytes of varying length based upon the Function Code for commands and based upon the results of the command in the response. When sent by the master, this field contains details of the command that the slave will require to carry out the function. When sent by the slave, this field contains details of the response and sometimes error information.

■ **Modbus TCP/IP Option Function Details**

03 (03 (Hex.)) Read Multiple Registers

This function code is used to read the contents of a contiguous block of registers. The command specifies the starting register and the number of registers. The normal response packs two bytes per register. For each register in the response, the first byte contains the most significant bits and the second byte contains the least significant bits.

Table 7.6 Read Multiple Registers (Command)

Description	Byte No.	Data (Hex.)
Slave Address (Unit Identifier)	1	00 - FF
Function Code	1	03
Starting Register	2	0000 - FFFF
Quantity of Registers	2	N */

*1 N = Quantity of Registers (1 to 16)

Table 7.7 Read Multiple Registers (Response)

Description	Byte No.	Data (Hex.)
Slave Address (Unit Identifier)	1	00 - FF
Function Code	1	03
Number of Data Bytes	1	2 × N */
Register Values	N */ × 2	Values contained in slave registers

*1 N = Quantity of Registers

Table 7.8 Read Multiple Registers (Error Response)

Description	Byte No.	Data (Hex.)
Slave Address (Unit Identifier)	1	00 - FF
Error Code	1	83
Exception Code	1	Refer to Modbus TCP/IP Exception Codes.

Examples of Fault Response, Read Response, and Read Multiple Registers Command

Table 7.9 lists command examples to 4 read register contents (register addresses 0020 (Hex.) to 0023 (Hex.)) from a drive with the slave address (unit identifier) 02 (Hex.).

Table 7.10 shows examples of responses indicating that multiple registers have been read successfully. The contents read from 0020 (Hex.) are 1770 (Hex.), 1770 (Hex.), 0109 (Hex.), and 0000 (Hex.).

Table 7.11 shows examples of an error response when reading multiple registers. The exception code is 02 (Hex.) (indicating a register number error).

Table 7.9 Example Read Multiple Registers Command

Description		Data (Hex.)
Slave Address (Unit Identifier)		02
Function Code		03
Starting Register */	Upper	00
	Lower	20
Quantity of Registers	Upper	00

Description		Data (Hex.)
	Lower	04

*1 This option is set up to use PLC based (holding) register addressing (base 1). The drive will automatically convert the register address to one more than the address sent over the network before it will respond.

When reading the starting register 0020 (Hex.) from the PLC:

1. The PLC sends out a command specifying the starting register 001F (Hex.) to the network.
2. The drive automatically convert the starting register 001F (Hex.) to 0020 (Hex.).
3. The drive responds the value of register address 0020 (Hex.) to the PLC.

Table 7.10 Example Read Multiple Registers Response

Description		Data (Hex.)
Slave Address (Unit Identifier)		02
Function Code		03
Number of Data Bytes		08
Starting Register	Upper	17
	Lower	70
Next Register	Upper	17
	Lower	70
Next Register	Upper	01
	Lower	09
Last Register	Upper	00
	Lower	00

Table 7.11 Example Read Multiple Registers Error Response

Description	Data (Hex.)
Slave Address (Unit Identifier)	02
Error Code	83
Exception Code	02

06 (06 (Hex.)) Write Single Register

This function code is used to write to a single register in the drive. The command specifies the address of the register to be written and the value to write. The normal response is an echo of the request, returned after the register contents have been written.

Table 7.12 Write Single Register Command

Description	Byte No.	Data (Hex.)
Slave Address (Unit Identifier)	1	00 - FF
Function Code	1	06
Register Address	2	0000 - FFFF
Register Values	2	0000 - FFFF

Table 7.13 Write Single Register Response

Description	Byte No.	Data (Hex.)
Slave Address (Unit Identifier)	1	00 - FF
Function Code	1	06
Register Address	2	0000 - FFFF
Register Values	2	0000 - FFFF

Table 7.14 Write Single Register Error Response

Description	Byte No.	Data (Hex.)
Slave Address (Unit Identifier)	1	00 - FF
Error Code	1	86
Exception Code	1	Refer to Modbus TCP/IP Exception Codes.

Examples of Register Write Command

Table 7.15 lists command examples when writing register value 0003 (Hex.) to register address 0001 (Hex.) in a drive with the slave address (unit identifier) 01 (Hex.).

Table 7.16 shows examples of responses indicating that the write command has been executed successfully. The command specifies the value and the register address to write to.

Table 7.17 shows examples of an error response when writing to a register. The exception code is 21 (Hex.) (indicating an invalid value).

Table 7.15 Examples of Register Write Command

Description		Data (Hex.)
Slave Address (Unit Identifier)		01
Function Code		06
Register Address ^{*1}	Upper	00
	Lower	01
Register Values	Upper	00
	Lower	03

*1 This option is set up to use PLC based (holding) register addressing (base 1). The drive will automatically convert the register address to one more than the address sent over the network before it will respond.

When writing the register address 0001 (Hex.) from the PLC:

1. The PLC sends out a command specifying the register address 0000 (Hex.) to the network.
2. The drive automatically convert the register address 0000 (Hex.) to 0001 (Hex.).
3. The drive responds the value of register address 0001 (Hex.) to the PLC.

Table 7.16 Example Write Single Register Response

Description		Data (Hex.)
Slave Address (Unit Identifier)		01
Function Code		06
Register Address	Upper	00
	Lower	01
Register Values	Upper	00
	Lower	03

Table 7.17 Example Write Single Register Error Response

Description	Data (Hex.)
Slave Address (Unit Identifier)	01
Error Code	86
Exception Code	21

16 (10 (Hex.)) Write Multiple Registers

This function code is used to write to a contiguous block of registers in the drive. The command specifies the starting register address, the number of registers, and the values to be written. The command packs two bytes per register. For each register in the command, the first byte contains the most significant bits, and the second byte contains the least significant bits. The normal response returns the function code, starting address, and quantity of registers written.

Table 7.18 Write Multiple Registers Command

Description	Byte No.	Data (Hex.)
Slave Address (Unit Identifier)	1	00 - FF
Function Code	1	10
Starting Register ^{*1}	2	0000 - FFFF
Quantity of Registers	2	N ^{*2}
Number of Data Bytes	1	N ^{*2} × 2
Register Values	N ^{*2} × 2	0000 - FFFF

- *1 This option is set up to use PLC based (holding) register addressing (base 1). The drive will automatically convert the register address to one more than the address sent over the network before it will respond.

When writing the starting register 0258 (Hex.) from the PLC:

1. The PLC sends out a command specifying the starting register 0257 (Hex.) to the network.
2. The drive automatically convert the starting register 0257 (Hex.) to 0258 (Hex.).
3. The drive responds the value of register address 0258 (Hex.) to the PLC.

- *2 N = Quantity of Registers (1 to 16)

Table 7.19 Write Multiple Registers Response

Description	Byte No.	Data (Hex.)
Slave Address (Unit Identifier)	1	00 - FF
Function Code	1	10
Starting Register	2	0000 - FFFF
Quantity of Registers	2	N ^{*1}

- *1 N = Quantity of Registers

Table 7.20 Write Multiple Registers Error Response

Description	Byte No.	Data (Hex.)
Slave Address (Unit Identifier)	1	01
Error Code	1	90
Exception Code	1	Refer to Modbus TCP/IP Exception Codes.

Examples of Multiple Registers Write Command

[Table 7.21](#) lists command examples when writing register values 0001 (Hex.) and 0258 (Hex.) to register addresses 0001 (Hex.) and 0002 (Hex.) in a drive with the slave address (unit identifier) 01 (Hex.).

[Table 7.22](#) shows examples of responses indicating that the write command has been executed successfully. The command specifies the beginning of the register address and the number of registers.

[Table 7.23](#) shows examples of an error response when writing to a register. The exception code is 02 (Hex.) (indicating a register number error).

Table 7.21 Examples of Multiple Registers Write Command

Description		Data (Hex.)
Slave Address (Unit Identifier)		01
Function Code		10
Starting Register ^{*1}	Upper	00
	Lower	01
Quantity of Registers	Upper	00
	Lower	02
Number of Data Bytes		04
First Register Data	Upper	00
	Lower	01
Next Register Data	Upper	02
	Lower	58

- *1 This option is set up to use PLC based (holding) register addressing (base 1). The drive will automatically convert the register address to one more than the address sent over the network before it will respond.

When writing the starting register 0001 (Hex.) from the PLC:

1. The PLC sends out a command specifying the starting register 0000 (Hex.) to the network.
2. The drive automatically convert the starting register 0000 (Hex.) to 0001 (Hex.).
3. The drive responds the value of register address 0001 (Hex.) to the PLC.

Table 7.22 Example Write Multiple Registers Response

Description		Data (Hex.)
Slave Address (Unit Identifier)		01
Function Code		10
Starting Register	Upper	00

Description		Data (Hex.)
Quantity of Registers	Lower	01
	Upper	00
	Lower	02

Table 7.23 Example Write Multiple Registers Error Response

Description	Data (Hex.)
Slave Address (Unit Identifier)	01
Error Code	90
Exception Code	02

23 (17 (Hex.)) Read/Write Multiple Registers

This function code performs a combination of one read operation and one write operation in a single Modbus TCP/IP transaction. The write operation is performed before the read. The command specifies the starting read address, quantity of contiguous registers to read, starting write address, quantity of contiguous registers to write and the values to be written. The normal response contains the values of the registers that were read.

For both the address and the values, the first byte contains the most significant bits and the second byte contains the least significant bits.

Table 7.24 Read/Write Multiple Registers Command

Description	Byte No.	Data (Hex.)
Slave Address (Unit Identifier)	1	00 - FF
Function Code	1	17
Read Starting Register	2	0000 - FFFF
Quantity of Registers to Read	2	M *1
Write Starting Register	2	0000 - FFFF
Quantity of Registers to Write	2	N *2
Write Byte Count	1	N *2 × 2
Write Register Values	N *2 × 2	0000 - FFFF

*1 M = Quantity of Registers to Read (range is 1 - 16)

*2 N = Quantity of Registers to Write (range is 1 - 16)

Table 7.25 Read/Write Multiple Registers Response

Description	Byte No.	Data (Hex.)
Slave Address (Unit Identifier)	1	00 - FF
Function Code	1	17
Number of Data Bytes	1	M *1 × 2
Read Register Values	M *1 × 2	Values contained in slave registers

*1 M = Quantity of Registers

Table 7.26 Read/Write Multiple Registers Error Response

Description	Byte No.	Data (Hex.)
Slave Address (Unit Identifier)	1	00 - FF
Error Code	1	97
Exception Code	1	Refer to Modbus TCP/IP Exception Codes.

Read/Write Multiple Registers

Table 7.27 lists command examples when reading registers 0001 (Hex.) and 0002 (Hex.) and then writing register values 0103 (Hex.) and 0258 (Hex.) to register addresses 0102 (Hex.) and 0103 (Hex.) in a drive with the slave address (unit identifier) 01 (Hex.).

Table 7.28 shows examples of responses indicating that the read/write multiple registers command has been executed successfully. Read data 1 contains the value of register address 0001 (Hex.) (0001 (Hex.)). Read data 2 contains the value of the register address 0002 (Hex.) (0002 (Hex.)).

Table 7.29 shows examples of an error response when the command to read and write to multiple registers has failed. The exception code is 02 (Hex.) (indicating a register number error).

Table 7.27 Example Read/Write Multiple Registers Command

Description		Data (Hex.)
Slave Address (Unit Identifier)		01
Function Code		17
Read Starting Register	Upper	00
	Lower	01
Quantity of Registers to Read	Upper	00
	Lower	02
Write Starting Register	Upper	01
	Lower	02
Quantity of Registers to Write	Upper	00
	Lower	02
Write Byte Count		04
First Write Register Data	Upper	01
	Lower	03
Next Write Register Data	Upper	02
	Lower	58

Table 7.28 Example Read/Write Multiple Registers Response

Description		Data (Hex.)
Slave Address (Unit Identifier)		01
Function Code		17
Number of Data Bytes		04
Read Data 1	Upper	00
	Lower	01
Read Data 2	Upper	00
	Lower	02

Table 7.29 Example Read/Write Multiple Registers Error Response

Description	Data (Hex.)
Slave Address (Unit Identifier)	01
Error Code	97
Exception Code	02

■ Modbus TCP/IP Exception Codes

When an error occurs, remove the cause and restart communications. The response message will contain one of the Error Codes defined in [Table 7.30](#).

Table 7.30 Modbus TCP/IP Exception Codes

Error Code (Hex.)	Error Name and Cause
01	Function Code Error Attempted to set a function code from a PLC other than 03 (Hex.), 06 (Hex.), 10 (Hex.), and 17 (Hex.).
02	Register Number Error A register number specified in the command message does not exist.
03	Data Length Error <ul style="list-style-type: none"> Invalid command message quantity In a write message, the value for write byte count does not match twice the value of the stated quantity of registers to write.
21	Data Setting Error <ul style="list-style-type: none"> Control data or parameter write data is outside the allowable setting range. Attempted to write a contradictory parameter setting.
22	Write Mode Error <ul style="list-style-type: none"> Attempted to write while the drive was operating to a parameter that cannot be written to during run.

Error Code (Hex.)	Error Name and Cause
	<ul style="list-style-type: none"> During an EEPROM data error (<i>CPF06 [EEPROM Memory Data Error]</i>), the master attempted to write to a parameter other than <i>A1-00 [Language Selection]</i>, <i>A1-01 [Access Level Selection]</i>, <i>A1-02 [Control Method Selection]</i>, <i>A1-03 [Initialize Parameters]</i>, <i>A1-04 [Password]</i>, <i>A1-05 [Password Setting]</i>, <i>E1-03 [V/f Pattern Selection]</i>, or <i>o2-04 [Drive Model (KVA) Selection]</i>. Attempted to write to read-only data.
23	DC Bus Undervoltage Write Error <ul style="list-style-type: none"> Attempted to write from the master during a <i>Uv1 [DC Bus Undervoltage]</i>. Attempted to execute and Enter command during a <i>Uv1 [DC Bus Undervoltage]</i>.
24	Writing Error during Parameter Processing Master attempted writing to the drive while the drive was processing parameter data.
25	Writing into EEPROM Disabled Writing into EEPROM write is disabled, but EEPROM write was executed from the MEMOBUS/Modbus network. When this error occurs, the keypad shows a message and the drive continues operation.

■ Control Connection Timeout

The option has a safety feature that declares a fault if communications between the master and drive is lost after the master commanded the drive to run.

A controlled connection is defined as one in which a master commands the drive by writing to register 01 (Hex.). After this write, the option will begin a timer. The timer will be reset upon subsequent writes to register 01 (Hex.). If the timer exceeds the value programmed in drive parameter *F7-16 [Timeout Value]*, the option will declare a *bUS [Option Communication Error]* if the option has an active run command to the drive. A value of 0 in *F7-16* means that the timeout is disabled.

The drive reaction to a *bUS* is programmable through drive parameter *F6-01 [Communication Error Selection]*.

8 Web Interface

The option contains a series of web pages that let you use a standard web browser to view status and diagnostic information.

You can access the web page through a self-contained web server at port 80. Type the IP address of the option into a web browser to access the home page. Example: "http://192.168.1.20"

If you do not know the IP address, use monitors *U6-80 to U6-83 [Option IP Address 1 to Option IP Address 4]* on the keypad to read the IP address of the option. Refer to [Table 6.1](#) for more information.

- Home Page
- Modbus-TCP Page
- Network Page
- Ring Page
- Chart Page
- Email Alerts Page **1*
- Parameter Access Page **1*
- Settings Page **1*

*1 A valid password is necessary to access these pages.

◆ Home Page

The Home page shows the status of the drive and the I/O. It also shows identifying information about the drive and the option.

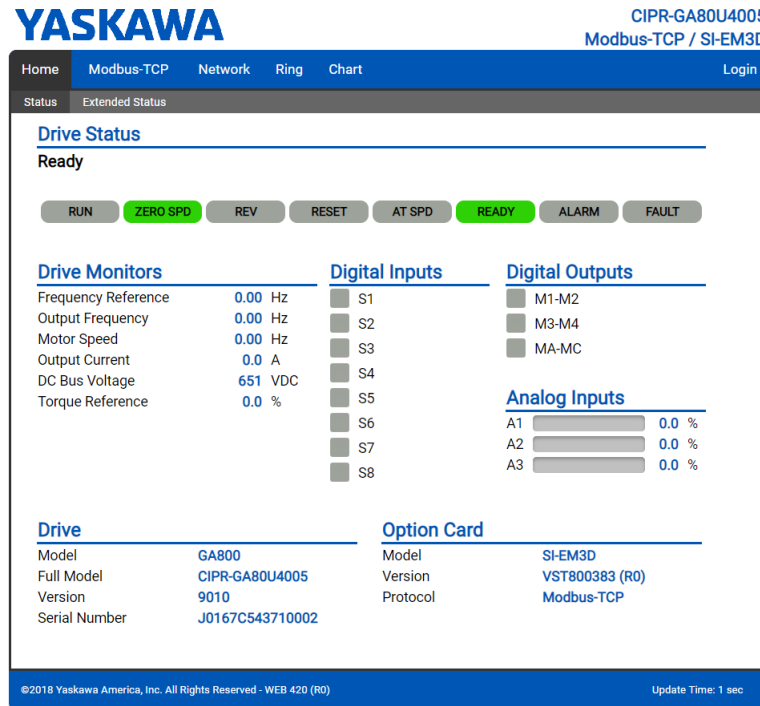


Figure 8.1 Home Page View

◆ **Modbus-TCP Page**

The Modbus-TCP page shows basic information about the protocol.

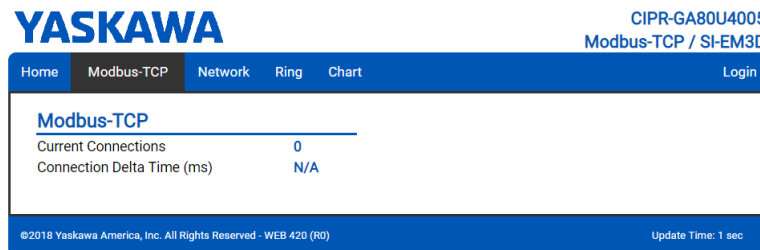


Figure 8.2 Modbus-TCP Page View

Table 8.1 Modbus-TCP Page Description

Network Monitor	Description
Current Connections	Current number of open connections.
Control Connection Delta Time	The time between the last two writes to the Control register, MEMOBUS/Modbus address 0001 (Hex.).

◆ **Network Page**

The Network tab shows the status of the option network traffic and the status of open I/O connections.

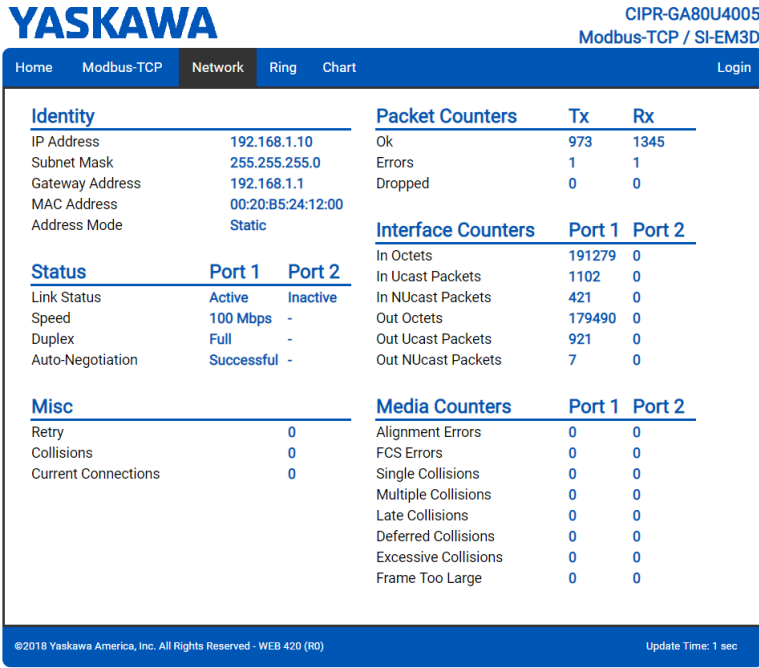


Figure 8.3 Network Page View

Table 8.2 Network Page Description

Network Monitor	Description
Msg Tx OK	Cumulative number of messages transmitted successfully from the option.
Msg Rx OK	Cumulative number of messages received successfully to the option.
Msg Tx Dropped	Cumulative number of messages dropped due to output network buffer being full and unable to hold the new message.
Msg Rx Dropped	Cumulative number of messages dropped due to input network buffer being full and unable to hold the new message.
Collisions	Cumulative number of collisions
Msg Tx Errors	Cumulative number of transmit errors
Msg Rx Errors	Cumulative number of receive errors
Tx Retry	Cumulative number of transmit errors
IP Address	IP Address of the option.
Subnet Mask	Subnet Mask of the option.
Gateway Address	The Gateway IP Address that the option will use.
MAC Address	MAC Address of the option.
Address Mode	Either static IP address or DHCP.
Link Status	Active if the cable is plugged in, or inactive if no cable.
Speed	Connection speed, either 10 Mbps or 100 Mbps.
Duplex	Display either Full or Half.
Auto-Negotiation	If auto-negotiation is enabled, this will show the status of the negotiation.
In Octets	Cumulative number of incoming octets.
In Ucast Packets	Cumulative number of unicast packets received.
In NUcast Packets	Cumulative number of non-unicast packets received.
Out Octets	Cumulative number of outgoing octets.
Out Ucast Packets	Cumulative number of unicast packets sent.
Out NUcast Packets	Cumulative number of unicast packets sent.
Alignment Errors	Cumulative number of errors for uneven packets lengths.
FCS Errors	Cumulative number of frame check sequence errors.
Single Collisions	Cumulative number of single collisions.
Multiple Collisions	Cumulative number of multiple collisions.

Network Monitor	Description
Late Collisions	Cumulative number of late collisions.
Deferred Collisions	Cumulative number of deferred collisions.
Excessive Collisions	Cumulative number of excessive collisions.
Frame Too Large	Cumulative number of frames that exceed the maximum frame size.

Note:

Network monitors are reset when the power supply is cycled.

◆ Ring Page

The Ring page shows the status of the RSTP network. RSTP can be enabled and disabled from this page, and the priority can be modified. To change either of these values, you must be logged into the page first.

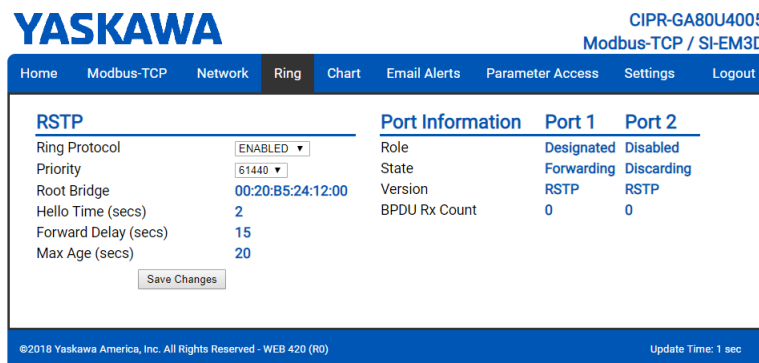


Figure 8.4 Ring Page View

■ RSTP

Ring Protocol

After setting the setting value to [ENABLED], click [Save Changes] to enable RSTP.

Priority

The RSTP Priority controls which bridge in the network becomes the root bridge. For most installations, the PLC or controller should be configured as the root bridge. A lower value in the [Priority] field indicates a higher priority. The [Priority] field ranges from 0 to 61440 in increments of 4096. The option defaults to the lowest priority, 61440. Refer to [Table 8.3](#) for information on [Priority] field setting.

Table 8.3 Priority Values

0	16384	32678	49152
4096	20480	36864	53248
8192	24576	40960	57344
12288	28672	45056	61440

To change the priority in [Priority] field, select the desired priority from [Table 8.3](#) and click [Save Changes].

Root Bridge

This field displays the MAC address of the root bridge on the network.

Hello Time (secs)

This field displays and indicates how often the bridge packets will be sent out. This value is set by the root bridge.

Forward Delay (secs)

The Forward Delay is displayed in seconds. This value is set by the root bridge.

Max Age (secs)

The Max Age is displayed in seconds. This value is set by the root bridge and indicates how long a message can be passed along before being discarded.

■ Port_Information

Role

The Role field shows how the port is being used. Refer to [Table 8.4](#) for the seven settings in the [Role] field.

Table 8.4 Port Role Values

Port Role	Description
Unknown	An unknown error has occurred within RSTP.
Root	This port leads to the root bridge.
Designated	This port leads away from the root bridge.
Alternate	This port is an alternate path to the root bridge.
Backup	This port is an alternate path away from the root bridge.
Disabled	This port does not have an active link.
N/A	RSTP is disabled.

State

The [State] field indicates if the port is accepting and sending messages. The four possible values for [State] field and the features of each state are shown in [Table 8.5](#).

Table 8.5 State Values

State	Accept Packets	Forward Packets	Learn MAC Addresses
Discarding	NO	NO	NO
Learning	NO	NO	YES
Forwarding	YES	YES	YES
Disabled	RSTP is disabled.		

Version

In the [Version] field, when an STP-only node is detected on the network, this port operates in STP mode and displays [STP]. [RSTP] will be displayed in all other cases. RSTP supports normal RSTP mode or STP mode.

Port BPDU Rx Count

The [Port BPDU Rx Count] field shows the number of BPDU packets received on that port. In general, root ports receive far more BPDU packets than designated ports.

◆ Chart Page

The Chart page can be used to monitor one signal from a predefined list.

- Frequency Reference
- Output Frequency
- Output Current
- Motor Speed
- Torque Reference
- DC Bus Voltage
- Terminal Analog Input 1
- Terminal Analog Input 2
- Terminal Analog Input 3

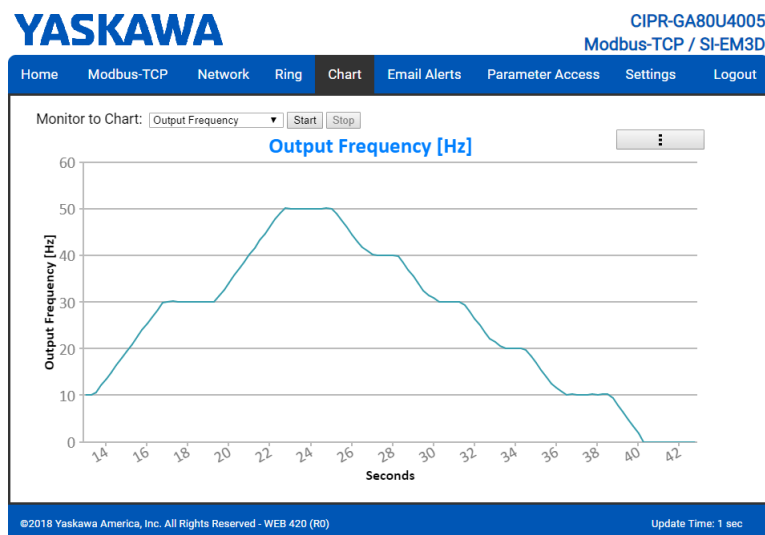


Figure 8.5 Chart Page View

◆ Email Alerts Page

The Email Alerts page allows the user to configure four Email Fault/Alarm conditions. When the condition is true, one email will be sent to the provided email address. Another email will not be sent until the condition becomes false and then true again.

A 30-second timer prevents emails from being sent when conditions reoccur immediately after being removed. The timer helps limit the amount of emails sent regarding the same intermittent condition and helps to reduce network traffic by reducing emails about reoccurring errors. The timer helps limit the amount of emails sent regarding the same intermittent condition and helps to reduce network traffic by reducing emails about reoccurring errors.

To save the entered information into the option, click [Save Email Settings].

Figure 8.6 Email Alerts Page View

Procedure: Conditional Email Set-up

1. Click the [Enable] check box to enable the alert.
2. Define the condition that will trigger the email by selecting a monitor parameter, a comparator, and a value. Set up comparator values for the range of values to check in the chosen condition. If choosing only one condition and no OR or AND are needed, set the [OR/AND] drop-down selection to [NotUsed].
3. Enter the email address where the alert will be sent.
4. Enter the message that will appear in the email contents.

5. Enter the email subject.

◆ Parameter Access Page

The Parameter Access page allows the user to read and write parameters from the drive. Write access is restricted until a valid password is entered.

Figure 8.7 Parameter Access Page View

The MEMOBUS/Modbus address for the drive parameter being accessed must be entered in hexadecimal.

Clicking [Read] will load and display the current value of the given MEMOBUS/Modbus Address.

Clicking [Set] will save the given value to the given MEMOBUS/Modbus address.

After a [Read] or [Set] command is given, [Status] will display [Waiting] while the action is being carried out, then [Read Successful] or [Write Successful] is displayed when finished.

◆ Settings Page

The Settings page sets web page behavior parameters. Access is restricted unless a valid password is entered.

Figure 8.8 Settings Page View

■ Security Login

Click [Login] and enter a valid password. The button text changes to [Logout].

Note:

The default security password is “yaskawa”.

This password can be changed in the [Change Password] section of the tab.

Entering a valid password allows access to the settings in the Settings page, Email Alerts page, and the Parameter Access page.

■ Webpage Password

To change the password, enter the new password in the [New Password] and [Confirm Password] text boxes. Click [Save password].

■ Webpage Settings

The values displayed in the various pages are refreshed at the rate defined in the [Data Update Time (ms)] select box.

The [Data Update Time] can be set to 250 ms, 500 ms, 1 second, 2 seconds, or 5 seconds.

■ Email Settings

The [Email Server Address] text box must contain the IP address of the email server. The subnet address is configured in drive parameters *F7-05* through *F7-08*. The configured email alerts will use the server at this address when sending emails.

Enter the email server port in the [Email Server Port] text box.

The value in the [From Email Address] text box identifies the origin of the email alerts to the recipient.

To save the entered information into the option, click [Save Email Settings].

9 Rapid Spanning Tree Protocol (RSTP)

Rapid Spanning Tree Protocol (RSTP) is a mechanism that allows an Ethernet network to be configured as a ring or other topology that may have more than one pathway to each node. The RSTP protocol automatically determines the most efficient pathway to each node and disables any redundant pathways.

If one path fails, RSTP activates another pathway to keep the network traffic flowing. After restoring the failed path, RSTP disables any redundant paths without disrupting network traffic.

◆ Convergence Time

Convergence is the process that RSTP performs to identify the root node and which pathways to disable. Convergence occurs on power up and when the network changes (e.g., path failures and restorations).

Take special care when using parameter *F7-16* [Timeout Value], Communication Timeout Loss, and be sure to give RSTP enough time for convergence. When *F7-16* is set too short, convergence will not be able to complete before it expires. The complexity of the network and the number of drives on the network will both factor into the value of the timeout.

RSTP is unnecessary and should be disabled when using star or line topology network configurations (RSTP is disabled by default).

◆ Topology

The option is ideal for use in ring topologies. With RSTP enabled, a ring topology provides redundancy to the network. RSTP determines the fastest paths to each node on the network and virtually splits the ring by disabling one port on one node to prevent data from being transmitted endlessly around the ring. If a path on the ring fails, RSTP re-enables the disabled port and reconnects the split. All nodes on the network remain accessible without any interruptions.

RSTP is unnecessary and should be disabled when using star or line topology network configurations (RSTP is disabled by default).

◆ Enabling RSTP

RSTP is enabled from the webpage on the option.

1. Use the keypad to read the IP address values from monitors *U6-80*, *U6-81*, *U6-82*, and *U6-83*. The IP address of the option is necessary to access the webpage. The IP address of the option is necessary to access the webpage. Use the operator to read the IP address values from monitors *U6-80*, *U6-81*, *U6-82*, and *U6-83*. Refer to [Table 9.1](#) for example values of the monitors for an option IP address of 192.168.1.20.

Table 9.1 Example IP Address Monitor Values

Monitor	Value
U6-80	192
U6-81	168

Monitor	Value
U6-82	1
U6-83	20

- Enter the IP address to address bar of your web browser (Ex. http://192.168.1.20) and press the Enter key. The Home page will be loaded. Refer to [Figure 8.1](#) for more information about the Home page.
- Click [Ring] tab on top of the webpage. The Ring page is displayed with the [Ring Protocol] label in the [RSTP] field set to [DISABLED].
- After changing the setting value of the [Ring Protocol] label to [ENABLED], click [Save Changes]. The Ring page is automatically updated and RSTP is enabled.

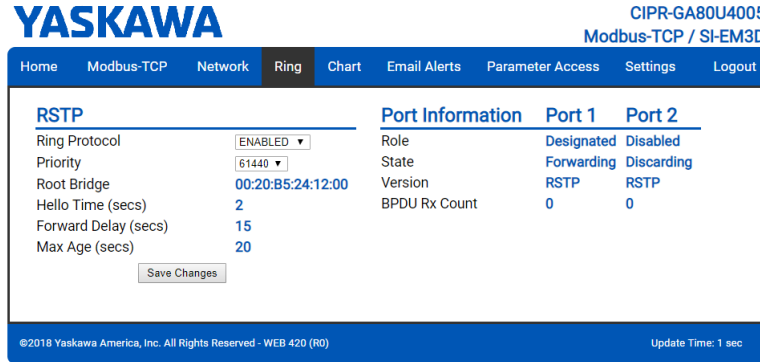


Figure 9.1 Ring Page View

◆ RSTP Monitor U6-96

Monitor *U6-96* is dedicated to RSTP. Shows the role and state for each port.

The displayed value has four digits. The first two digits belong to port 1 and the last two digits belong to port 2. The first and third digits represent port role while the second and fourth digits represent port state.

The possible port role and state values are shown in [Figure 9.2](#).

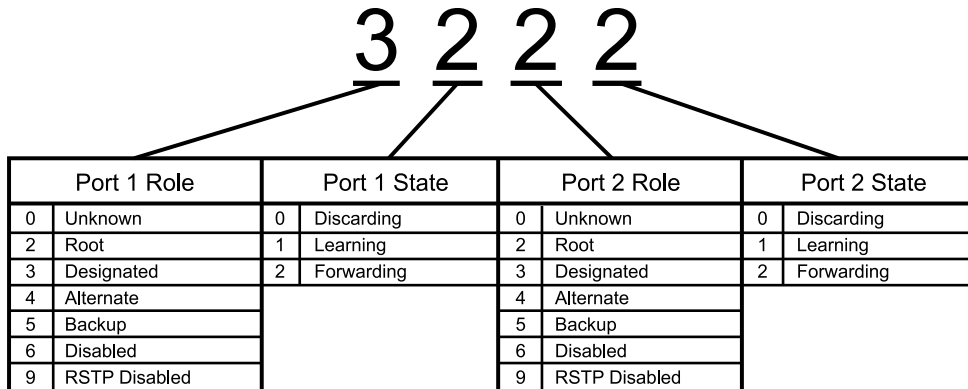


Figure 9.2 U6-96 Monitor Values

Refer to [Table 8.4](#) for descriptions of the port role values.

Refer to [Table 8.5](#) for descriptions of the port state values.

Below are a few examples:

- 9292 = RSTP is disabled and both ports are forwarding.
- 3222 = Port 1 is forwarding and is the designated port. Port 2 is forwarding and is the root port.
- 2232 = Port 1 is forwarding and is the root port. Port 2 is forwarding and is the designated port.
- 3232 = Both ports are forwarding and are designated ports. This only occurs when the option is the root bridge.
- 4022 = Port 1 is discarding and is the alternate port. Port 2 is forwarding and is the root port.
- 2260 = Port 1 is forwarding and is the root port. Port 2 is discarding and is the disabled port.

10 Troubleshooting

◆ Drive-Side Error Codes

Drive-side error codes appear on the drive keypad. *Fault on page 51* lists causes of the errors and possible corrective actions. Refer to the drive Technical Manual for additional error codes that may appear on the drive keypad.

■ Fault

Both *bUS [Option Communication Error]* and *EF0 [Option Card External Fault]* can appear as a fault. When a fault occurs, the keypad ALM LED stays lit. When an alarm occurs, the ALM LED flashes.

If communication stops while the drive is running, use these questions as a guide to help remove the fault:

- Did you correctly connect the Modbus TCP/IP™ communication line to the option?
- Is the communication line properly connected to the option? Is it loose?
- Is the PLC program working? Is the controller/PLC CPU stopped?
- Did a momentary power loss interrupt communications?

Code	Name	Causes	Possible Solutions
bUS	Option Communication Error	The drive did not receive a signal from the controller.	<ul style="list-style-type: none"> • Check for wiring errors. • Correct the wiring.
		The communications cable wiring is incorrect.	
		An existing short circuit or communications disconnection	Check disconnected cables and short circuits and repair as needed
		A data error occurred due to electric interference	<ul style="list-style-type: none"> • Prevent noise in the control circuit, main circuit, and ground wiring. • If you identify a magnetic contactor as a source of noise, install a surge absorber to the contactor coil. • Use only recommended cables or other shielded line. Ground the shield on the controller side or the drive input power side. • Separate all communication wiring from drive power lines. Install an EMC noise filter to the drive power supply input. • Decrease the effects of electrical interference from the controller.
		Option is damaged	If there are no problems with the wiring and the error continues to occur, replace the option.
		Connection Time-out	Check if the CPU of the controller is not stopped.
		Duplicate IP Address found on network	Change to a different IP address. If <i>F7-13 = 0 [Address Mode at Startup = Static]</i> , change parameters <i>F7-01 to F7-04 [IP Address 1 to 4]</i> .
EF0	Option Card External Fault	The option received an external fault from the controller.	<ol style="list-style-type: none"> 1. Find the device that caused the external fault and remove the caus. 2. Clear the external fault input from the controller.
		A programming error occurred on the controller side.	Examine the operation of the controller program.
oFA00	Option Not Compatible with Port	The option connected to connector CN5-A is not compatible.	Connect the option to the correct connector. <ul style="list-style-type: none"> • Use connector CN5-A when you connect the option. To use other options, refer to those option manuals.
oFA01	Option Card Fault (CN5-A)	The option connected to option port CN5-A was changed during run.	<ol style="list-style-type: none"> 1. De-energize the drive. 2. Connect the option to the correct option port.
oFA03, oFA04	Option Card Error (CN5-A)	A fault occurred in the option.	<ol style="list-style-type: none"> 1. De-energize the drive. 2. Make sure that the option is correctly connected to the connector. 3. If the problem continues, replace the option.
oFA30 to oFA43	Option Card Connection Error (CN5-A)	A fault occurred in the option.	<ol style="list-style-type: none"> 1. De-energize the drive. 2. Make sure that the option is correctly connected to the connector. 3. If the problem continues, replace the option.
oFb00	Option Not Compatible with Port	The option connected to connector CN5-B is not compatible.	Connect the option to the correct connector. <ul style="list-style-type: none"> • Use connector CN5-A when you connect the option. To use other options, refer to those option manuals.
oFb02	Option Fault	An option of the same type is already installed in option port CN5-A, CN5-B, or CN5-C.	Connect the option to the correct option port.

Code	Name	Causes	Possible Solutions
oFC00	Option Fault (CN5-B)	The option connected to connector CN5-C is not compatible.	Connect the option to the correct connector. • Use connector CN5-A when you connect the option. To use other options, refer to those option manuals.
oFC02	Option Fault	An option of the same type is already installed in option port CN5-A, CN5-B, or CN5-C.	Connect the option to the correct option port.

■ Minor Faults and Alarms

Code	Name	Causes	Possible Solutions
CyPo	Cycle Power to Active Parameters	Comm. Option Parameter Not Upgraded	Re-energize the drive to update the communication option parameters.

◆ bUS Fault Tolerance

■ bUS Fault Auto-Restart

Parameter *F6-14* [*BUS Error Auto Reset*] will appear when the option is installed.

Setting *F6-14* = 0 [*Disabled*] or *F6-01* = 3, 4, 5 [*Alarm Only, Alarm (Run at d1-04), Alarm - Ramp Stop*] will not affect standard default drive behavior.

Setting *F6-14* = 1 [*Enabled*] AND *F6-01* = 0, 1, 2 [*Ramp to Stop, Coast to Stop, Fast Stop (Use C1-09)*] will cause the following operation:

1. The bUS fault occurs after *F7-16* [*Timeout Value*] delay and the Run command is removed from the drive.
2. Then the option throws a bUS fault to the drive.
3. When the condition is removed, the option commands a fault reset and returns control of the drive to the Modbus TCP/IP network.

Note:

The option will only read parameter *F6-01* and *F6-14* from the drive during power-up.

■ bUS Fault Delay

Parameter *F7-16* [*Timeout Value*] will appear when the option is installed. The setting value of *F7-16* is the length of time that the option will delay sending the bUS fault to the drive. The status LEDs on the option are not affected by the bUS delay time set in *F7-16*; the LEDs will indicate the bUS condition immediately.

Note:

The option will only read parameter *F7-16* from the drive during power-up.

◆ Option Error Codes

■ Option Fault Monitors *U6-98* and *U6-99*

The option can declare error/warning conditions via drive monitor parameters on the drive keypad as shown in [Table 10.1](#).

Table 10.1 Option Fault Monitor Descriptions

Status	Fault Declared	Status Value (<i>U6-98/U6-99</i>)	Description
No faults	-	0	No faults
Fatal error occurred	EF0	3	Network sent a message to force this node to the fault state.
Network Link Down	bUS	1104	No network link to option.
Connection Time-out	bUS	1101	The control connection timer is more than the setting value of <i>F7-16</i> .
Duplicate IP Address	bUS	1102	This node and at least one other node have the same IP Address.
Default MAC Address	-	1103	MAC Address programmed into the option is not factory default setting. Note: Contact Yaskawa or your nearest sales representative for more information.

Two drive monitor parameters, *U6-98* [*First Fault*] and *U6-99* [*Current Fault*] assist the user in network troubleshooting.

- *U6-98* displays the first declared fault since the last power cycle. *U6-98* is only cleared upon drive power-up.

- *U6-99* displays the present option status. *U6-99* is cleared upon a network-issued fault reset and upon power-up. If another fault occurs while the original fault is still active, parameter *U6-98* retains the original fault value and *U6-99* stores the new fault status value.

◆ Option Compatibility

You can connect a maximum of 3 options at the same time depending on the type of option.

Note:

- You can only connect one option to the GA500 and HV600 drives. Connect the option to the CN5 connector.
- You can connect two options to an FP605 drive. Connect the communication option to the CN5-A connector.
- Compatible communication options are different for different models. Refer to the drive manuals for more information.

Table 10.2 Option Compatibility

Option	Connector	Number of Options Possible
PG-B3 *1, PG-X3 *1	CN5-B, C	2 *2
PG-RT3 *1 *3 *4, PG-F3 *1 *3 *4	CN5-C	1
DO-A3 *5, AO-A3 *5	CN5-A, B, and C	1
SI-C3, SI-N3, SI-P3, SI-S3, SI-T3, SI-ET3, SI-ES3, SI-B3, SI-M3, SI-W3 *4, SI-EM3 *4, SI-EM3D *4, SI-EN3 *4, SI-EN3D *4, SI-EP3, JOHB-SMP3, AI-A3 *5 *6, DI-A3 *5 *6	CN5-A	1

*1 Not available for GA500, HV600, or FP605 drives.

*2 To connect two PG options, use the CN5-C and CN5-B connectors. To connect only one PG option, use the CN5-C connector.

*3 If you use the motor switching function, you cannot use this option.

*4 Not available for 1000-Series drive models with capacities between 450 and 630 kW (650 to 1000 HP).

*5 Not available for GA500 or HV600 drives.

*6 To use AI-A3 and DI-A3 input statuses as monitors, connect the options to CN5-A, CN5-B, or CN5-C.

11 Option Installation

Verify the following installation conditions to make sure that other devices and machinery used with this option and drive also comply with EMC guidelines:

1. Use dedicated shield cable for the option and external device (encoder, I/O device, master), or run the wiring through a metal conduit.
2. Keep wiring as short as possible and ground the largest possible surface area of the shield to the metal panel according to [Figure 11.1](#) and [Figure 11.2](#).

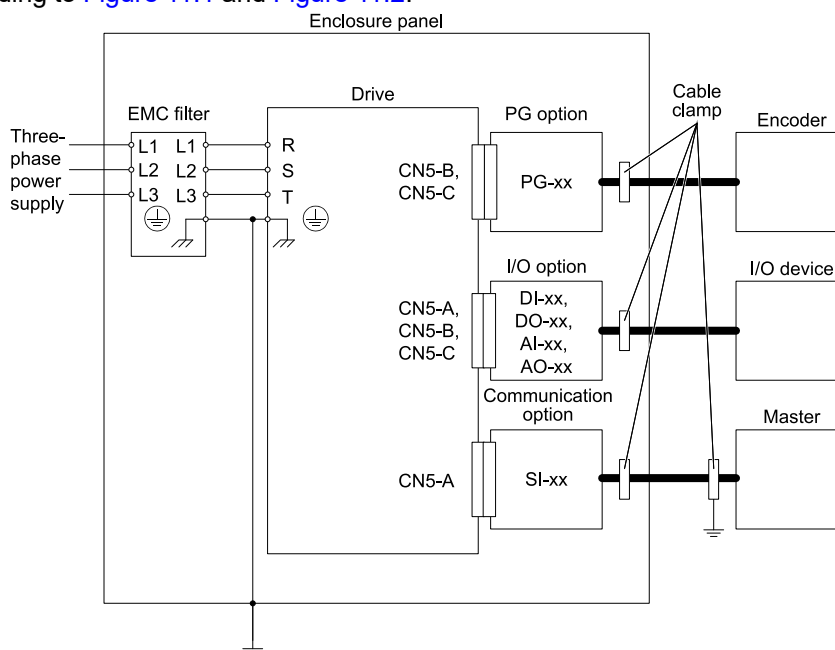


Figure 11.1 Option Installation for CE Compliance: 1000-Series, GA700, GA800

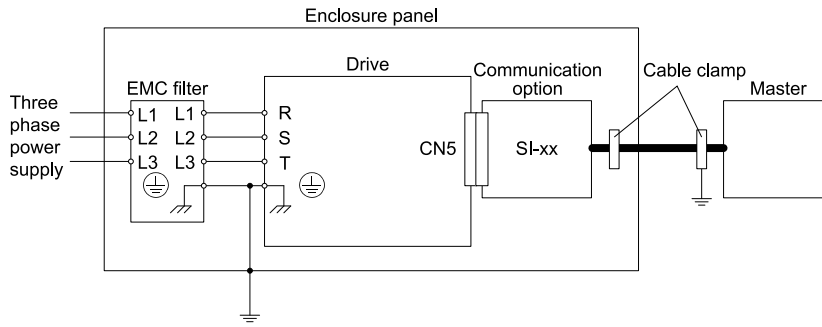


Figure 11.2 Option Installation for CE Compliance: GA500, HV600

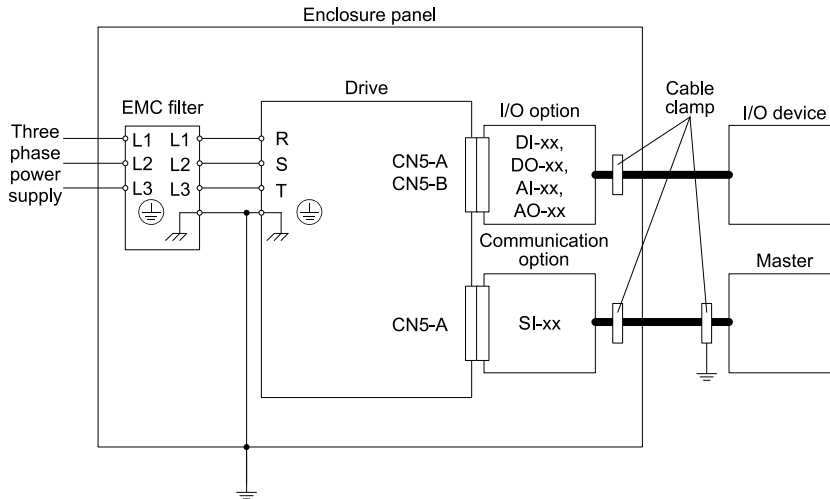
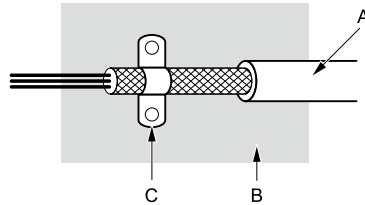


Figure 11.3 Option Installation for CE Compliance: FP605

3. Ground the largest possible surface area of the shield to the metal panel. Yaskawa recommends using cable clamps.



A - Braided shield cable
B - Metal panel

C - Cable clamp (conductive)

Figure 11.4 Ground Area

12 Specifications

◆ Specifications

Table 12.1 Option Specifications

Items	Specifications
Model	SI-EM3D
Supported Messages	<ul style="list-style-type: none"> • Read Multiple Registers (03 (Hex.)) • Write Single Register (06 (Hex.)) • Write Multiple Registers (10 (Hex.)) • Read and Write Registers (17 (Hex.)) Commands that support multiple registers have a maximum Read and Write size of 16 registers.
Modbus TCP/IP Specifications	Modbus-IDA Passed
Recommended Connector Type	Shielded Cat5e cable
Physical Layer Type	Ethernet Isolated Physical Layer

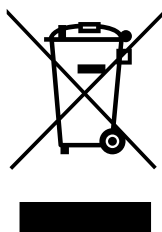
Items	Specifications
IP Address Setting	Programmable from drive keypad or network
Communication Speed	Programmable from drive keypad or network: 10/100 Mbps, auto-negotiate.
Number of Connections	<ul style="list-style-type: none"> • Modbus TCP/IP: 10 • Web page connections: 2
Duplex Mode	<ul style="list-style-type: none"> • Half/Half • Auto-negotiate • Full/Full
Address Startup Mode	<ul style="list-style-type: none"> • Static • BOOTP • DHCP
Ambient Temperature	-10°C - +50°C (14°F - 122°F)
Humidity	Up to 95% RH (no condensation)
Storage Temperature	-20°C - +60°C (-4°F - 140°F) allowed for short-term transport of the product
Area of Use	Indoors and free from: <ul style="list-style-type: none"> • Oil mist, corrosive gas, flammable gas, and dust • Radioactive materials or flammable materials, including wood • Harmful gas or fluids • Salt • Direct sunlight • Falling foreign objects
Altitude	Up to 1000 m (3280 ft)

13 Disposal

◆ Disposal Instructions

Correctly dispose of the product and packing material as specified by applicable regional, local, and municipal laws and regulations.

◆ WEEE Directive



The wheeled bin symbol on this product, its manual, or its packaging identifies that you must recycle it at the end of its product life.

You must discard the product at an applicable collection point for electrical and electronic equipment (EEE). Do not discard the product with usual waste.

Revision History

Date of Publication	Revision Number	Section	Revised Content
October 2021	1	All	Addition: Information on FP605 Revision: Reviewed and corrected entire documentation
June 2020	-	-	First Edition

YASKAWA AC Drive Option Modbus TCP/IP Technical Manual

DRIVE CENTER (INVERTER PLANT)

2-13-1, Nishimiyaichi, Yukuhashi, Fukuoka, 824-8511, Japan
Phone: +81-930-25-2548 Fax: +81-930-25-3431
www.yaskawa.co.jp

YASKAWA ELECTRIC CORPORATION

New Pier Takeshiba South Tower, 1-16-1, Kaigan, Minatoku, Tokyo, 105-6891, Japan
Phone: +81-3-5402-4502 Fax: +81-3-5402-4580
www.yaskawa.co.jp

YASKAWA AMERICA, INC.

2121, Norman Drive South, Waukegan, IL 60085, U.S.A.
Phone: +1-800-YASKAWA (927-5292) or +1-847-887-7000 Fax: +1-847-887-7310
www.yaskawa.com

YASKAWA ELÉTRICO DO BRASIL LTDA.

777, Avenida Piraporinha, Diadema, São Paulo, 09950-000, Brasil
Phone: +55-11-3585-1100 Fax: +55-11-3585-1187
www.yaskawa.com.br

YASKAWA EUROPE GmbH

Hauptstraße 185, 65760 Eschborn, Germany
Phone: +49-6196-569-300 Fax: +49-6196-569-398
E-mail: info@yaskawa.eu.com
www.yaskawa.eu.com

YASKAWA ELECTRIC KOREA CORPORATION

35F, Three IFC, 10 Gukjegeumyung-ro, Yeongdeungpo-gu, Seoul, 07326, Korea
Phone: +82-2-784-7844 Fax: +82-2-784-8495
www.yaskawa.co.kr

YASKAWA ASIA PACIFIC PTE. LTD

30A, Kallang Place, #06-01, 339213, Singapore
Phone: +65-6282-3003 Fax: +65-6289-3003
www.yaskawa.com.sg

YASKAWA ELECTRIC (THAILAND) CO., LTD.

59, 1F-5F, Flourish Building, Soi Ratchadapisek 18, Ratchadapisek Road, Huaykwang, Bangkok, 10310, Thailand
Phone: +66-2-017-0099 Fax: +66-2-017-0799
www.yaskawa.co.th

YASKAWA ELECTRIC (CHINA) CO., LTD.

22F, Link Square 1, No.222, Hubin Road, Shanghai, 200021, China
Phone: +86-21-5385-2200 Fax: +86-21-5385-3299
www.yaskawa.com.cn

YASKAWA ELECTRIC (CHINA) CO., LTD. BEIJING OFFICE

Room 1011, Tower W3 Oriental Plaza, No. 1, East Chang An Avenue,
Dong Cheng District, Beijing, 100738, China
Phone: +86-10-8518-4086 Fax: +86-10-8518-4082

YASKAWA ELECTRIC TAIWAN CORPORATION

12F, No. 207, Section 3, Beishin Road, Shindian District, New Taipei City 23143, Taiwan
Phone: +886-2-8913-1333 Fax: +886-2-8913-1513 or +886-2-8913-1519
www.yaskawa.com.tw

YASKAWA INDIA PRIVATE LIMITED

#17/A, Electronics City, Hosur Road, Bengaluru, 560 100 (Karnataka), India
Phone: +91-80-4244-1900 Fax: +91-80-4244-1901
www.yaskawaindia.in

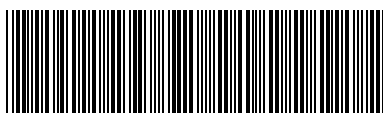
YASKAWA

YASKAWA ELECTRIC
CORPORATION

In the event that the end user of this product is to be the military and said product is to be employed in any weapons systems or the manufacture thereof, the export will fall under the relevant regulations as stipulated in the Foreign Exchange and Foreign Trade Regulations. Therefore, be sure to follow all procedures and submit all relevant documentation according to any and all rules, regulations and laws that may apply.

Specifications are subject to change without notice for ongoing product modifications and improvements.

© 2020 YASKAWA ELECTRIC CORPORATION



SIEPC7306000E

MANUAL NO. SIEP C730600 0EB <1>-0
Published in Japan October 2021
20-2-22
Original Instructions