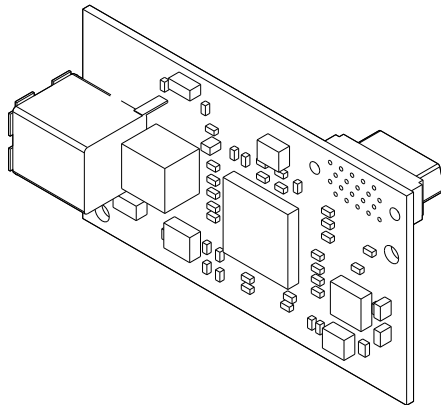


YASKAWA AC Drive Option **MECHATROLINK-II** Installation Manual

Model SI-T3

To properly use the product, read this manual thoroughly and retain for easy reference, inspection, and maintenance. Ensure the end user receives this manual.



This Page Intentionally Blank

Table of Contents

1.	Preface and Safety	5
	Applicable Documentation	5
	Glossary	6
	Registered Trademarks	7
	Supplemental Safety Information	7
	Section Safety	7
2.	Overview	8
	Compatible Products	8
	Install the Option on a GA500 Drive	9
3.	Receiving	10
	Contents and Packaging	11
	Installation Tools	11
4.	Option Components	12
	Option	12
	Communication connector	13
	Option LED Display	14
	Option LED Status Definitions.	14
5.	Installation Procedure	15
	Section Safety	15
	Procedures for Installing and Wiring Options on a Drive	15
	Procedure A	16
	Procedure B	22
	MECHATROLINK-II Communications Cables	27
	Option Connection Diagram	28

6.	MECHATROLINK Option Drive Parameters	28
7.	Troubleshooting	33
	Drive-Side Error Codes	33
	Faults	33
	Minor Faults and Alarms	35
8.	European Standards	36
	EMC Guidelines Compliance	36
	EMC Guidelines Installation Conditions	36
9.	Specifications	38
	Specifications	38
10.	Disposal	40
	Disposal Instructions	40
	WEEE Directive	40
	Revision History	41

1 Preface and Safety

YASKAWA Electric supplies component parts for use in a wide variety of industrial applications. The selection and application of YASKAWA products remain the responsibility of the equipment designer or end user.

YASKAWA accepts no responsibility for the way its products are incorporated into the final system design. Under no circumstances should any YASKAWA product be incorporated into any product or design as the exclusive or sole safety control. Without exception, all controls should be designed to detect faults dynamically and fail safely under all circumstances. All products designed to incorporate a component part manufactured by YASKAWA must be supplied to the end user with appropriate warnings and instructions as to the safe use and operation of that part. Any warnings provided by YASKAWA must be promptly provided to the end user. YASKAWA offers an express warranty only as to the quality of its products in conforming to standards and specifications published in the manual. **NO OTHER WARRANTY, EXPRESS OR IMPLIED, IS OFFERED.** YASKAWA assumes no liability for any personal injury, property damage, losses, or claims arising from misapplication of its products.

◆ Applicable Documentation

The following manuals are available for the option:

Document	Description
YASKAWA AC Drive Option MECHATROLINK-II Installation Manual (This book) Manual No.: TOBP C730600 86	This guide is packaged together with the product and contains information necessary to install the option and set related drive parameters.
For Drive	<p>The technical manual contains detailed information about the option. Access the following sites to obtain the technical manual:</p> <p>U.S.: http://www.yaskawa.com</p> <p>Europe: http://www.yaskawa.eu.com</p> <p>Japan: http://www.e-mechatronics.com</p> <p>Other areas: Check the back cover of these manuals.</p> <p>For questions, contact Yaskawa or a Yaskawa representative.</p>
YASKAWA AC Drive Option MECHATROLINK-II Technical Manual Manual No.: SIEP C730600 86	
For Energy-Saving Unit	
YASKAWA 1000-Series Option MECHATROLINK-II Technical Manual Manual No.: SIEP C730600 61	
YASKAWA AC Drive Manuals	<p>Drive manuals contain basic installation and wiring information in addition to detailed parameter setting, fault diagnostic, and maintenance information.</p> <p>The most recent versions of these manuals are available for download on our documentation websites:</p> <p>U.S.: http://www.yaskawa.com</p> <p>Europe: http://www.yaskawa.eu.com</p> <p>Japan: http://www.e-mechatronics.com</p> <p>Other areas: Check the back cover of these manuals.</p> <p>For questions, contact Yaskawa or a Yaskawa representative.</p>

◆ Glossary

Phrase	Definition
Option	YASKAWA AC Drive Option MECHATROLINK-II
Keypad	<ul style="list-style-type: none"> • LCD Operator for YASKAWA AC Drive 1000-Series • LED Operator for YASKAWA AC Drive 1000-Series • LCD Keypad for YASKAWA AC Drive GA500, GA700, GA800, CR700, and CH700 • LED Keypad for YASKAWA AC Drive GA500, GA700, GA800, CR700, and CH700
Drive	<ul style="list-style-type: none"> • YASKAWA AC Drive 1000-Series (A1000, D1000, R1000, U1000, Z1000U) • YASKAWA AC Drive GA500 • YASKAWA AC Drive GA700 • YASKAWA AC Drive GA800 • YASKAWA AC Drive CR700

Phrase	Definition
	<ul style="list-style-type: none"> • YASKAWA AC Drive CH700
Energy-Saving Unit	<ul style="list-style-type: none"> • YASKAWA D1000 Series Power Regenerative Converter • YASKAWA R1000 Series Power Regenerative Unit
Hex. (Example: 900 (Hex.))	Indicates a unit for hexadecimal number format.

◆ Registered Trademarks

- MECHATROLINK-I/MECHATROLINK-II is a registered trademark of the MECHATROLINK Members Association (MMA).
- Other company names and product names in this document are trademarks or registered trademarks of the respective companies.

◆ Supplemental Safety Information

Read and understand this manual before installing, operating, or servicing this option. The option must be installed according to this manual and local codes.

The following conventions are used to indicate safety messages in this manual. Failure to heed these messages could result in serious or possibly even fatal injury or damage to the products or to related equipment and systems.

▲ DANGER This signal word identifies a hazard that will cause serious injury or death if you do not prevent it.

▲ WARNING This signal word identifies a hazard that can cause death or serious injuries if you do not prevent it.

▲ CAUTION Identifies a hazardous situation, which, if not avoided, can cause minor or moderate injury.

NOTICE This signal word identifies a property damage message that is not related to personal injury.

■ Section Safety

General Precautions

- The diagrams in this section may include options and drives without covers or safety shields to illustrate details. Be sure to reinstall covers or shields before operating any devices. The option should be used according to the instructions described in this manual.
- The diagrams in this manual are provided as examples only and may not pertain to all products covered by this manual.
- The products and specifications described in this manual or the content and presentation of the manual may be changed without notice to improve the product and/or the manual.
- Contact Yaskawa or a Yaskawa representative and provide the manual number shown on the front cover to order new copies of the manual.

⚠ DANGER Do not ignore the safety messages in this manual. If you ignore the safety messages in this manual, it will cause serious injury or death. The manufacturer is not responsible for injuries or damage to equipment.

⚠ WARNING Electrical Shock Hazard. Do not modify the body or circuitry of drive or option. Failure to obey can cause damage to the drive and will void warranty. Yaskawa is not responsible for modifications of the product made by the user.

NOTICE Do not use steam or other disinfectants to fumigate wood for packaging the drive. Use alternative methods, for example heat treatment, before you package the components. Gas from wood packaging fumigated with halogen disinfectants, for example fluorine, chlorine, bromine, iodine or DOP gas (phthalic acid ester), can cause damage to the drive.

2 Overview

MECHATROLINK-II Option (Model: SI-T3) uses the MECHATROLINK protocol to connect a drive to a field network.

Install the option on a drive to use a MECHATROLINK-II master device to do these tasks:

- Operate the drive
- Monitor the drive operation status
- Change drive parameter settings

◆ Compatible Products

You can use the option with the products in the following table:

Table 2.1 Compatible Products

Product Series	Model (s)	MECHATROLINK Slave Name	Software Version ^[*]	
A1000	CIMR-Ax2Axxxx	MECHATROLINK Drive slave	≥1020	
	CIMR-Ax4A0002 - 4A0675		≥3015	
	CIMR-Ax4A0930, 4A1200		≥5040	
	CIMR-Ax5Axxxx		≥1020	
U1000 ^{*2}	CIMR-UxxAxxxx			≥1010
	CIMR-UxxExxxx			
	CIMR-UxxPxxxx			
	CIMR-UxxWxxxx			
Z1000U ^{*2}	CIMR-ZxxAxxxx			≥6110

Product Series	Model (s)	MECHATROLINK Slave Name	Software Version ^{*1}
	CIMR-ZxxExxxx		
	CIMR-ZxxPxxxx		
	CIMR-ZxxWxxxx		
D1000 ^{*3}	CIMR-DxxAxxxx	Intelligent I/O slave	≥2000
R1000 ^{*3}	CIMR-RxxAxxxx		≥2100
GA500 ^{*4}	CIPR-GA50xxxxx	MECHATROLINK Drive slave	≥1010
GA700 ^{*4}	CIPR-GA70xxxxx		≥1010
GA800 ^{*4}	CIPR-GA80xxxxx		≥9010
CR700 ^{*4}	CIPR-CR70xxxxx		≥1012
CH700 ^{*4}	CIPR-CH70xxxxx		≥1012

*1 Refer to "PRG" on the drive nameplate for the software version number.

*2 Before you install the option on a YASKAWA AC Drive U1000 or Z1000U, make sure that the option software version is PRG: 6107 or later.

*3 Before you install the option on a YASKAWA AC Drive D1000 or R1000, make sure that the option software version is PRG: 6105 or later.

*4 Before you install the option on a YASKAWA AC Drive GA500, GA700, GA800, CR700, or CH700, make sure that the option software version is PRG: 6108 or later.

Note:

- MECHATROLINK-II commands differ between Intelligent I/O slave devices and MECHATROLINK Drive slave devices. Refer to the option Technical Manual for more information.
- Refer to the option package labeling in the field designated "PRG (four digit number)" or the option labeling in the field designated "C/N (S + four digit number)" to identify the option software version.
- For Yaskawa customers in the North or South America region:
If your product is not listed in [Table 2.1](#), refer to the web page below to confirm this manual is correct for your product. The web page provides a list of option manuals by product, and a direct link to download a PDF.
Scan QR code Or refer to: <http://www.yaskawa.com/optionlookup>



◆ Install the Option on a GA500 Drive

An option card mounting kit is necessary to install the option on a GA500 drive. The option card mounting kit model is: JOHB-GA50. This kit is sold separately.

3 Receiving

Refer to the option card mounting kit manual for more information about installation.

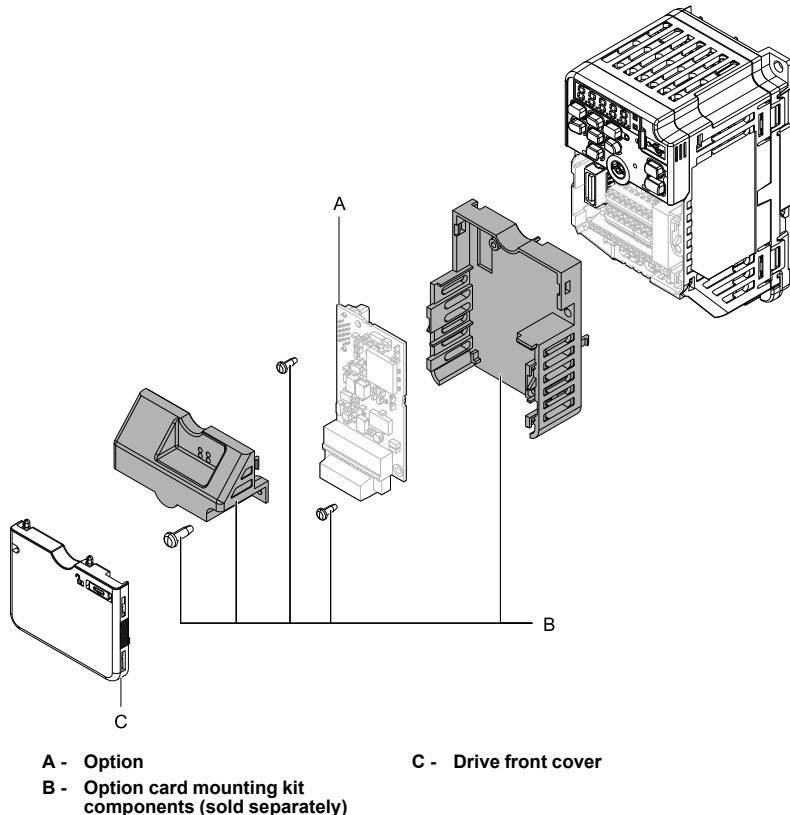


Figure 2.1 Option Card Mounting Kit (JOHB-GA50)

3 Receiving

After receiving the option package:

- Make sure that the option is not damaged and no parts are missing. The Yaskawa warranty does not include damage from shipping. Contact your sales outlet if there is damage to the option or other parts.

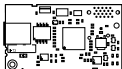




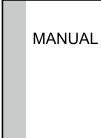
NOTICE

Damage to Equipment. Do not use damaged parts to connect the drive and the option. Failure to comply could damage the drive and option.

- Make sure that the model number on the option nameplate and the model number on the purchase order are the same. Refer to [Figure 4.1](#) for more information.
- Contact the distributor where the option was purchased or contact Yaskawa or a Yaskawa representative about any problems with the option.

◆ Contents and Packaging

Table 3.1 Contents of Package

Description:	Option	Ground Wire *1	Screws (M3)	LED labels		Installation Manual
				1000-Series	GA500, GA700, GA800, CR700, and CH700	
-						
Quantity:	1	1	3 *2	1	1	1

*1 GA700, GA800, CR700, and CH700 drives do not use the ground wire.

*2 GA700, GA800, CR700, and CH700 drives use two screws only.

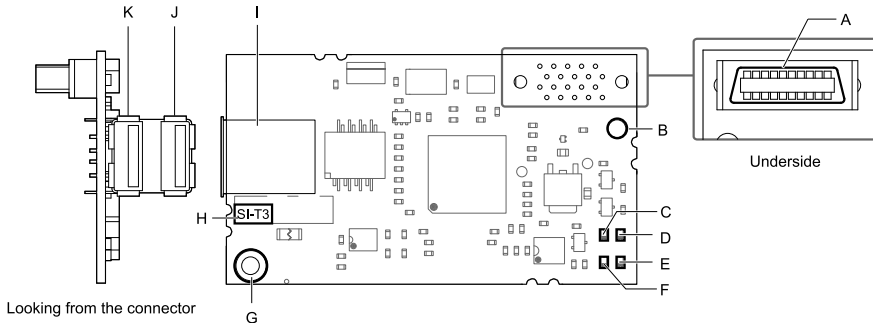
◆ Installation Tools

- A Phillips screwdriver or slotted screwdriver (blade depth: 0.4 mm (0.02 in), width: 2.5 mm (0.1 in)) *1.
- A pair of diagonal cutting pliers.
- A small file or medium-grit sandpaper.

*1 Phillips screw sizes are different for different drive capacities.

4 Option Components

◆ Option



A - Connector (CN101)

B - Installation hole

C - LED (ERR) *1

D - LED (RUN) *1

E - LED (TX) *1

F - LED (RX) *1

G - Ground terminal (FE) (installation hole) *2

H - Model

I - Communication connector CN3

J - Connector B

K - Connector A

Figure 4.1 Option

*1 Refer to [Option LED Display on page 14](#) for more information about the LEDs.

*2 Connect the provided ground wire during installation. The ground wire is not necessary for installation on GA700, GA800, CR700, and CH700 drives.

◆ Communication connector

Table 4.1 Communication Connector

Connector	Connector	Pin No.	Signal Name	I/O	Function
	A	A1	(NC)	-	-
		A2	SRD-	I/O	Send/receive data (-)
		A3	SRD+	I/O	Send/receive data (+)
		A4	(NC)	-	-
		Shell	SLD	-	Shield
	B	B1	(NC)	-	-
		B2	SRD-	I/O	Send/receive data (-)
		B3	SRD+	I/O	Send/receive data (+)
		B4	(NC)	-	-
		Shell	SLD	-	Shield

Note:

Connectors A and B are available for the same functions.

◆ Option LED Display

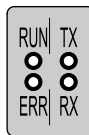
Option has four LEDs that identify the option or communication status.

■ Option LED Status Definitions



A

A - 1000-Series Label



B

B - GA500, GA700, GA800, CR700, and CH700 Label

Figure 4.2 Option LED Labels

Table 4.2 Option Operation LED Status

LED	Color	State	Status	Description
RUN	Green	ON	Power supply on	<ul style="list-style-type: none"> The SI-T3 has power and is prepared for operation An internal, self-diagnostic check completed in the SI-ET3
		OFF	Power supply off	<ul style="list-style-type: none"> The drive has no power The SI-T3 is not properly connected to the drive, or the SI-T3 has no power An internal, self-diagnostic check completed in the SI-T3
ERR	Red	ON	Connection Error	<ul style="list-style-type: none"> The SI-T3 is not properly connected to the drive Communication error ^{*1}
		Flashing	SI-T3 error	Error found during the SI-T3 self-diagnostic check
		OFF	Normal operation	<ul style="list-style-type: none"> The SI-T3 is properly connected to the drive Communication normal
TX	Green	ON	Sending data	The option is sending data (LED may appear to be flashing)
		OFF	Not sending data	<ul style="list-style-type: none"> No data being sent During reset
RX	Green	ON	Receiving data	The option is sending data (LED may appear to be flashing)
		OFF	Not receiving data	<ul style="list-style-type: none"> No data being received During reset

*1 For more information about the communication error, refer to [Troubleshooting on page 33](#).

5 Installation Procedure

◆ Section Safety

⚠ DANGER *Electrical Shock Hazard. Do not examine, connect, or disconnect wiring on an energized drive. Before servicing, disconnect all power to the equipment and wait for the time specified on the warning label at a minimum. The internal capacitor stays charged after the drive is de-energized. The charge indicator LED extinguishes when the DC bus voltage decreases below 50 Vdc. When all indicators are OFF, measure for dangerous voltages to make sure that the drive is safe. If you do work on the drive when it is energized, it will cause serious injury or death from electrical shock.*

⚠ WARNING *Electrical Shock Hazard. Do not operate the drive when covers are missing. Replace covers and shields before you operate the drive. Use the drive only as specified by the instructions. Some figures in this section include drives without covers or safety shields to more clearly show the inside of the drive. If covers or safety shields are missing from the drive, it can cause serious injury or death.*

⚠ WARNING *Electrical Shock Hazard. Only let approved personnel install, wire, maintain, examine, replace parts, and repair the drive. If personnel are not approved, it can cause serious injury or death.*

⚠ WARNING *Electrical Shock Hazard. Do not remove covers or touch circuit boards while the drive is energized. If you touch the internal components of an energized drive, it can cause serious injury or death.*

⚠ WARNING *Electrical Shock Hazard. Do not use damaged wires, put too much force on the wiring, or cause damage to the wire insulation. Damaged wires can cause serious injury or death.*

⚠ WARNING *Fire Hazard. Tighten all terminal screws to the correct tightening torque. Connections that are too loose or too tight can cause incorrect operation and damage to the drive. Incorrect connections can also cause death or serious injury from fire.*

NOTICE *Observe correct electrostatic discharge (ESD) procedures when touching the option. Failure to obey can cause ESD damage to the option circuitry.*

NOTICE *Damage to Equipment. Do not de-energize the drive while the drive is outputting voltage. Incorrect equipment sequencing can cause damage to the drive.*

NOTICE *Do not operate a drive or connected equipment that has damaged or missing parts. You can cause damage to the drive and connected equipment.*

NOTICE *Use Yaskawa connection cables or recommended cables only. Incorrect cables can cause the drive or option to function incorrectly.*

NOTICE *Damage to Equipment. Correctly connect the connectors. Incorrect connections can cause malfunction or damage to the equipment.*

NOTICE *Damage to Equipment. Make sure that all connections are correct after you install the drive and connecting peripheral devices. Incorrect connections can cause damage to the option.*

◆ Procedures for Installing and Wiring Options on a Drive

Procedures to install and wire the option are different for different drive models.

Refer to the following table to check the procedures to install and wire the option on a drive.

Product Series	Procedures to Install and Wire Options on a Drive	Page
A1000	Procedure A	16
U1000	Procedure A	16
Z1000U	Procedure A	16
D1000	Procedure A	16
R1000	Procedure A	16
GA500	*1 *2	-
GA700	Procedure B	22
GA800	Procedure B	22
CR700	Procedure B	22
CH700	Procedure B	22

*1 To install the option on GA500 drives, use the option card mounting kit and manual.

*2 Before you install the option on a YASKAWA AC Drive GA500, make sure that the option software version is PRG: 6108 or later.

■ Procedure A

This section shows the procedure to install and wire the option on a 1000-series drive.

Prepare the Drive for the Option

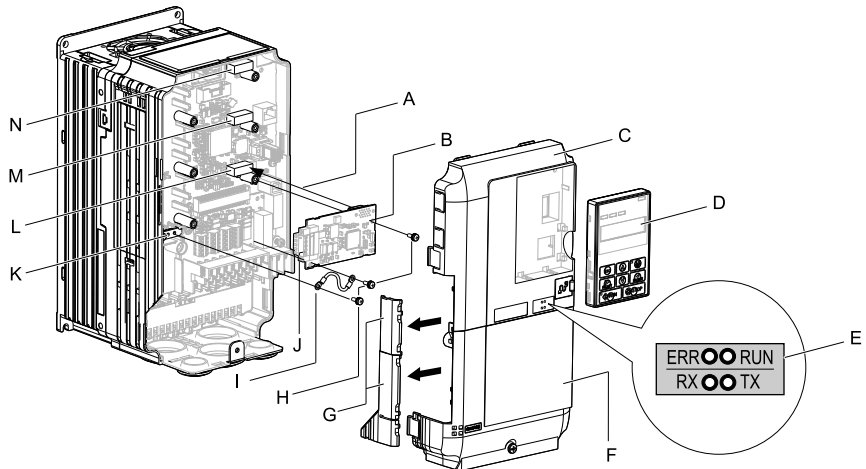
Note:

Refer to the Peripheral Devices & Options section of the drive instruction manual for more information.

Before you install the option on a YASKAWA Energy-Saving Unit D1000 or R1000, make sure that the option software version is PRG: 6105 or later.

Before you install the option on a YASKAWA AC Drive U1000 or Z1000U, make sure that the option software version is PRG: 6107 or later.

Correctly wire the drive as specified by the manual packaged with the drive. Make sure that the drive functions correctly. Refer to the following figure for an exploded view of the drive with the option and related components for reference in the installation procedure.



- | | |
|--|---|
| A - Insertion point for CN101 connector | H - Included screws |
| B - Option | I - Ground wire |
| C - Drive front cover | J - Option modular connector CN3 |
| D - Keypad | K - Drive grounding terminal (FE) |
| E - LED label | L - Connector CN5-A |
| F - Drive terminal cover | M - Connector CN5-B (Not available for communication option installation.) |
| G - Removable tabs for wire routing | N - Connector CN5-C (Not available for communication option installation.) |

Figure 5.1 Drive Components with Option

Install the Option

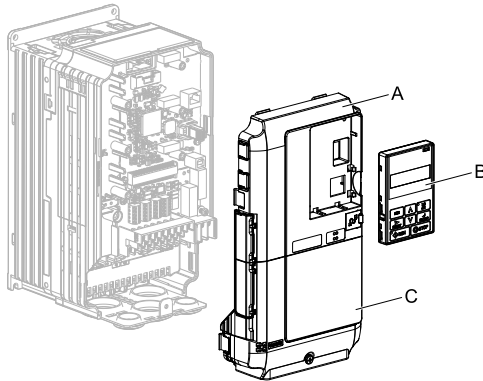
Remove the front covers of the drive before you install the option. Refer to the drive manual for information about how to remove the front covers. Different drive sizes have different cover removal procedures. You can only install this option into the CN5-A connector on the drive control board.

⚠ DANGER *Electrical Shock Hazard. Do not examine, connect, or disconnect wiring on an energized drive. Before servicing, disconnect all power to the equipment and wait for the time specified on the warning label at a minimum. The internal capacitor stays charged after the drive is de-energized. The charge indicator LED extinguishes when the DC bus voltage decreases below 50 Vdc. When all indicators are OFF, measure for dangerous voltages to make sure that the drive is safe. If you do work on the drive when it is energized, it will cause serious injury or death from electrical shock.*

1.

Shut off power to the drive, wait the appropriate amount of time for voltage to dissipate, then remove the keypad (B) and front covers (A, C). Refer to the manual packaged with the drive for more information about how to remove the keypad and covers.

NOTICE Observe correct electrostatic discharge (ESD) procedures when touching the option. Failure to obey can cause ESD damage to the option circuitry.



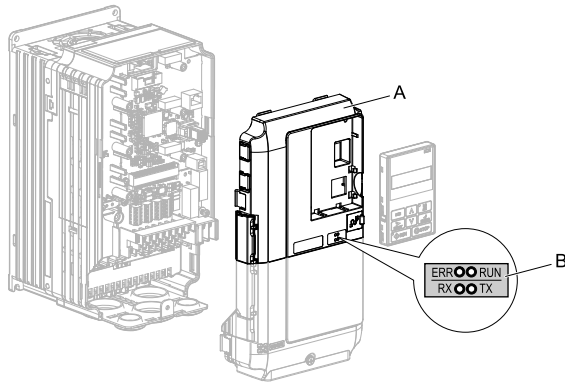
A - Drive front cover

C - Drive terminal cover

B - Keypad

Figure 5.2 Remove the Keypad, Front Cover, and Terminal Cover

- Put the LED label (B) in the appropriate position on the drive front cover (A).

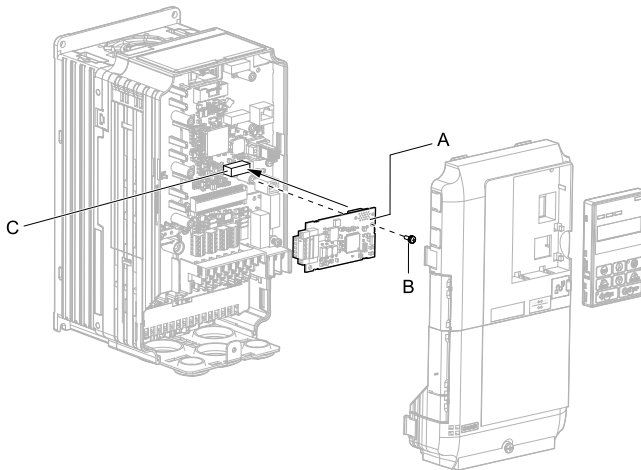


A - Drive front cover

B - LED label

Figure 5.3 Put the LED Label on the Drive Front Cover

- Insert the option (A) into the CN5-A connector (C) on the drive and use the included screws (B) to put it in place.



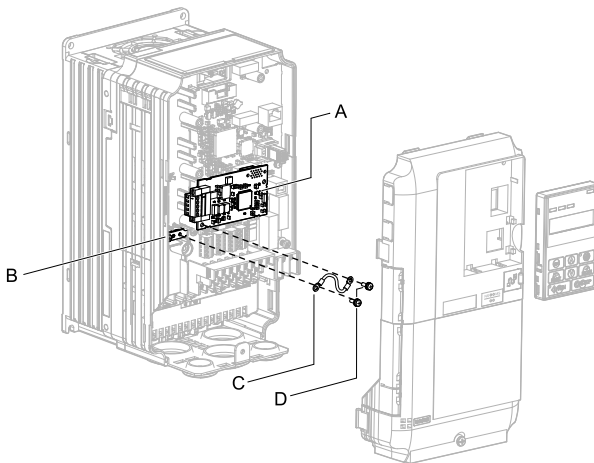
A - Option

B - Included screws

C - Connector CN5-A

Figure 5.4 Insert the Option

4. Connect one end of the ground wire (C) to the ground terminal (B) using one of the remaining provided screws (D). Connect the other end of the ground wire (C) to the remaining ground terminal and installation hole on the option (A) using the last remaining provided screw (D).
 - Tighten the screws to 0.5 to 0.6 N•m (4.4 to 5.3 in•lb).



A - Option

B - Drive grounding terminal (FE)

C - Ground wire

D - Included screws

Figure 5.5 Connect the Ground Wire

Note:

The drive has only two ground terminal screw holes. When you connect three options, two options will share one ground terminal.

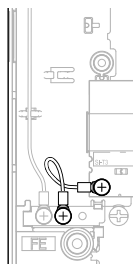


Figure 5.6 Connecting the Ground Terminal

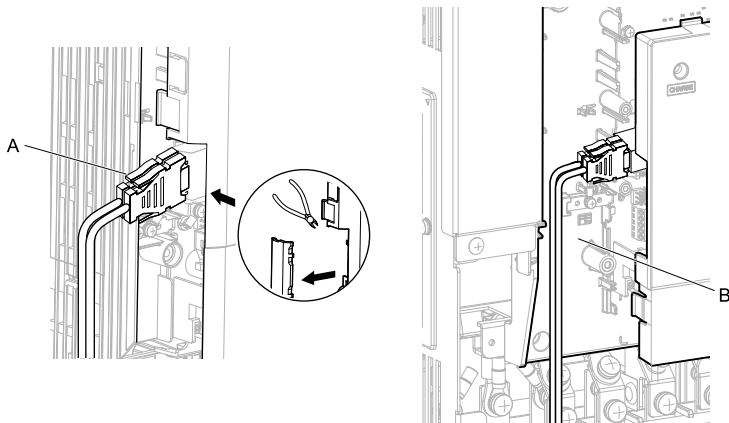
5. Route the option wiring.

- You can route the option wiring through openings on the front cover of some models. Remove the perforated tabs on the left side of the front cover as shown in [Figure 5.7-A](#) to create the necessary openings on these models.
- Route the option wiring inside the enclosure as shown in [Figure 5.7-B](#). Make sure that the front covers will easily fit back onto the drive.

Refer to the Peripheral Devices & Options section of the drive instruction manual for more information.

Note:

- Isolate communication cables from main circuit wiring and other electrical lines to avoid potential sources of electrical interference.
- Connect the terminator (model No.: JEPMC-W6022-E) to the option modular connector (CN3) on the end drive of the communication lines.



A - Route wires through the openings provided on the left side of the front cover. *1

B - Use the open space provided inside the drive to route option wiring.

Figure 5.7 Wire Routing Examples

*1 If wiring is exposed outside the enclosure, the drive will not meet Enclosed wall-mounted type (IP20/UL Type 1) requirements.

6. Firmly connect the MECHATROLINK-II communication cable to option communication connector CN3.

Isolate the communications cables from main circuit wiring and other electrical and power lines. Ensure the cable end is firmly connected (see [Figure 5.15](#)). Refer to [MECHATROLINK-II Communications Cables on page 27](#) for more information.

7. Reattach the drive front cover (A, C) and the keypad (B).

Refer to the manual packaged with the drive for more information about how to reattach the keypad and covers.

NOTICE Do not pinch cables between the front covers and the drive. Failure to comply could cause erroneous operation.

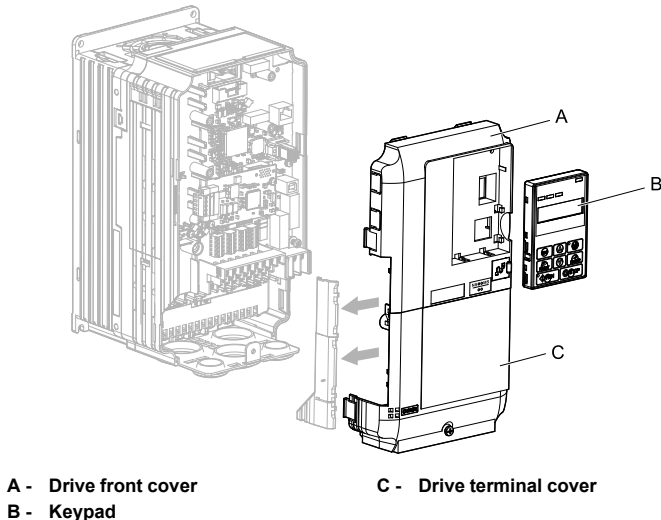


Figure 5.8 Replace the Front Covers and Keypad

8. Set drive parameters in [MECHATROLINK Option Drive Parameters on page 28](#) for correct option performance.

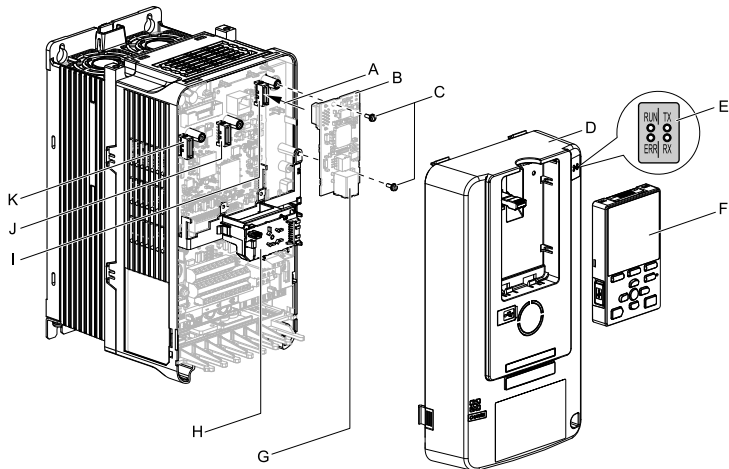
■ Procedure B

This section shows the procedure to install and wire the option on a GA700, GA800, CR700, or CH700 drive.

Prepare the Drive for the Option

Before you install the option on a YASKAWA AC Drive GA700, GA800, CR700, or CH700, make sure that the option software version is PRG: 6108 or later.

Correctly wire the drive as specified by the manual packaged with the drive. Make sure that the drive functions correctly. Refer to the following figure for an exploded view of the drive with the option and related components for reference in the installation procedure.



- | | |
|---------------------------------------|--|
| A - Insertion point for CN5 connector | G - Option modular connector CN3 |
| B - Option | H - LED Status Ring board |
| C - Included screws | I - Connector CN5-A |
| D - Drive front cover | J - Connector CN5-B (Not available for communication option installation.) |
| E - LED label | K - Connector CN5-C (Not available for communication option installation.) |
| F - Keypad | |

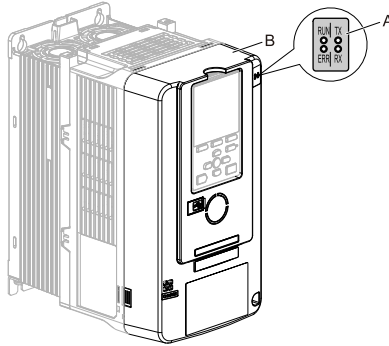
Figure 5.9 Drive Components with Option

Install the Option

Remove the front covers of the drive before you install the option. Refer to the drive manual for information about how to remove the front covers. Different drive sizes have different cover removal procedures. You can only install this option into the CN5-A connector on the drive control board.

⚠ DANGER *Electrical Shock Hazard. Do not examine, connect, or disconnect wiring on an energized drive. Before servicing, disconnect all power to the equipment and wait for the time specified on the warning label at a minimum. The internal capacitor stays charged after the drive is de-energized. The charge indicator LED extinguishes when the DC bus voltage decreases below 50 Vdc. When all indicators are OFF, measure for dangerous voltages to make sure that the drive is safe. If you do work on the drive when it is energized, it will cause serious injury or death from electrical shock.*

1. Put the LED label (A) in the correct position on the drive front cover (B).



A - LED label

B - Drive front cover

Figure 5.10 Put the LED Label on the Drive Front Cover

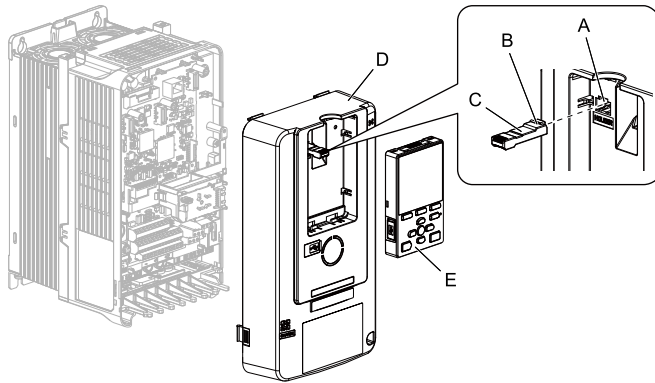
2. Shut off power to the drive, wait the appropriate amount of time for voltage to dissipate, then remove the front cover (D).

Refer to the manual packaged with the drive for instructions on how to remove the cover.

NOTICE Observe correct electrostatic discharge (ESD) procedures when touching the option. Failure to obey can cause ESD damage to the option circuitry.

Note:

Remove the keypad, then move the keypad connector to the holder on the drive, then remove the front cover.



A - Holder

B - Keypad connector tab

C - Keypad connector

D - Drive front cover

E - Keypad

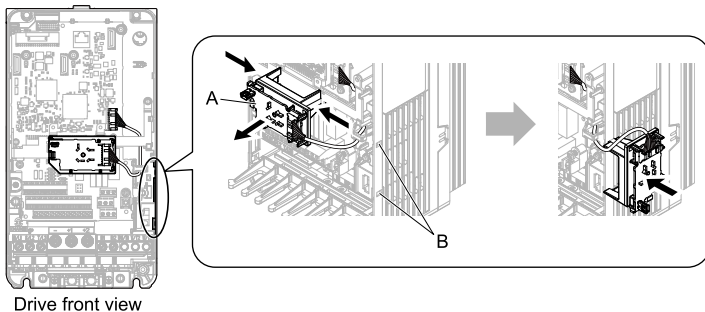
Figure 5.11 Remove the Front Cover and Keypad

- Carefully remove the LED Status Ring board (A) and put it in the temporary placement holes (B) on the right side of the drive.

Refer to the manual packaged with the drive for information about how to remove the LED Status Ring board.

NOTICE

Do not remove the LED Status Ring board cable connector. If you disconnect the LED Status Ring board, it can cause incorrect operation and damage to the drive.



Drive front view

A - LED Status Ring board

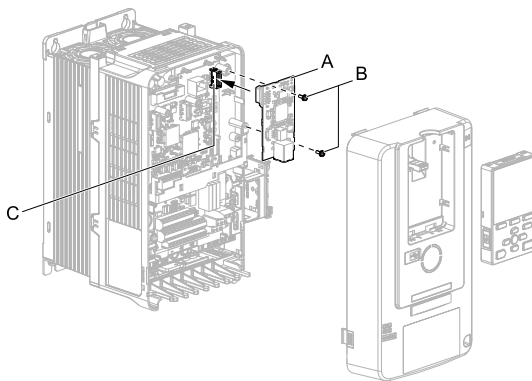
B - Temporary placement holes

Figure 5.12 Remove the LED Status Ring Board

4. Insert the option (A) into the CN5-A connector (C) on the drive and use the included screws (B) to put it in place.
 - Tighten the screws to 0.5 to 0.6 N•m (4.4 to 5.3 in•lb).

Note:

1. A ground wire is not necessary. Do not use the ground wire or the extra screw.
2. Only two screws are necessary to install the option on GA700, GA800, CR700, and CH700 drives.



A - Option

C - Connector CN5-A

B - Included screws

Figure 5.13 Insert the Option

5. Firmly connect the MECHATROLINK-II communication cable to option communication connector CN3.

Isolate the communications cables from main circuit wiring and other electrical and power lines. Ensure the cable end is firmly connected (see [Figure 5.15](#)). Refer to [MECHATROLINK-II Communications Cables on page 27](#) for more information.

Note:

Maximum transmission distance is 100 m (328 ft). Minimum wiring distance between stations is 0.2 m (7.9 in).

6. Reattach the LED Status Ring board (E). Use the open space provided inside the LED Status Ring board to route option wiring. Reattach the drive front cover (C) and the keypad (D).

Refer to the manual packaged with the drive for information about how to reattach the LED Status Ring board.

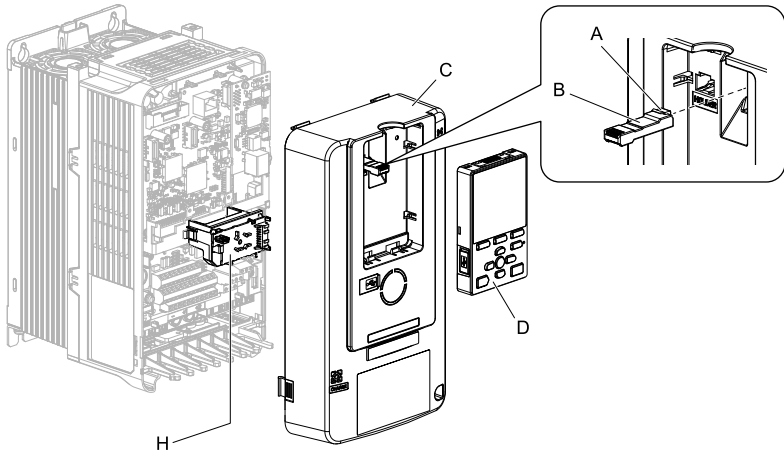
NOTICE

Do not pinch cables between the front cover or the LED Status Ring board and the drive. Failure to comply could cause erroneous operation.

Note:

- Replace the keypad connector then install the keypad.

- At that time, insert the keypad connector tab into the drive.



A - Keypad connector tab

B - Keypad connector

C - Drive front cover

D - Keypad

E - LED Status Ring board

Figure 5.14 Replace the Front Cover and Keypad

7. Set drive parameters in [MECHATROLINK Option Drive Parameters on page 28](#) for correct option performance.

◆ MECHATROLINK-II Communications Cables

Connect the MECHATROLINK-II communication cable to option communication connector CN3.

Use only these MECHATROLINK-II dedicated communications cables:

Recommended communication cables	<ul style="list-style-type: none"> • JEPMC-W6002-xx-E ^{*1} • JEPMC-W6003-xx-E (with a core) ^{*1}
----------------------------------	--

*1 xx is the length (m).

Connect the terminator (model No.: JEPMC-W6022-E) on the end of the communication lines.

Note:

Maximum transmission distance is 50 m (164 ft). Minimum wiring distance between stations is 0.5 m (19.75 in).

■ Option Connection Diagram

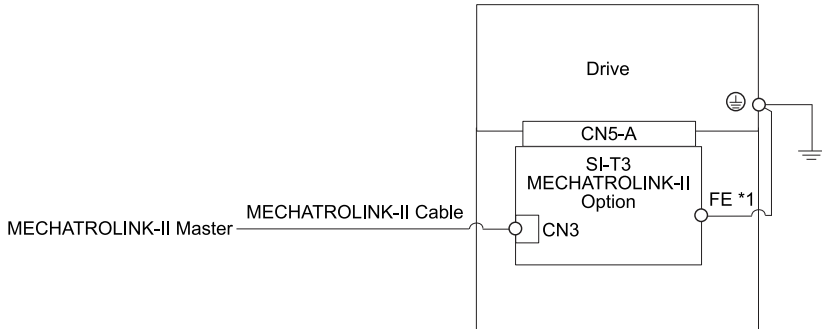


Figure 5.15 Option Connection Diagram

*1 Connect the provided ground wire for installations on 1000-series drives and GA500 drives. The ground wire is not necessary for installation on GA700, GA800, CR700, or CH700 drives.

6 MECHATROLINK Option Drive Parameters

The parameters in the following table set the drive for operation with the option. Confirm correct parameter settings in the following table before you start network communications.

Note:

Hex.: MEMOBUS addresses that you can use to change parameters over network communication are represented in hexadecimal numbers.

No. (Hex.)	Name	Description	Default (Range)
b1-01 (0180)	Reference 1 Source (For Drive)	Selects the input method for frequency reference. 0 : Keypad 1 : Digital Input 2 : Memobus/Modbus Communications 3 : Option 4 : Pulse Train Input Note: Set <i>b1-02</i> = 3 to use the master device and serial communications to start and stop the drive. Set <i>b1-01</i> = 3 to use the master device to control the frequency reference of the drive.	1 (0 - 4)
b1-02 (0181)	Run Command 1 Source	Selects the input method for the Run command. 0 : Keypad 1 : Digital Input	1 (0 - 3)

No. (Hex.)	Name	Description	Default (Range)
	(For Drive, For Energy-Saving Unit)	2 : Memobus/Modbus Communications 3 : Option Note: Set $b1-02 = 3$ to use the master device and serial communications to start and stop the drive. Set $b1-01 = 3$ to use the master device to control the frequency reference of the drive.	
b1-18 (0179)	Voltage Reference Source (For Energy-Saving Unit)	Selects the voltage reference input source. 0 : Keypad - RUN and STOP keys 1 : Digital Input 2 : Memobus/Modbus Communications 3 : Option 7 : Input voltage based control 1 8 : Input voltage based control 2 Note: • On D1000, to use the MECHATROLINK master device as the voltage reference, set $b1-18 = 3$. • This parameter is available in the D1000.	8 (0 - 3, 7, 8)
F6-01 (03A2)	Communication Error Selection (For Drive)	Selects drive response when the drive detects a <i>bUS</i> error during communications with the option. 0 : Ramp to Stop 1 : Coast to Stop 2 : Fast Stop (Use C1-09) 3 : Alarm Only 4 : Alarm - Run at $d1-04$ 5 : Alarm - Ramp to Stop Note: • When you set this parameter to 3 or 4, the drive will continue operation after it detects a fault. If you set this parameter to 3 or 4, make sure that you install an emergency stop switch. • Refer to the drive manual to know if settings 4 and 5 are available. Settings 4 and 5 are available in A1000 software versions PRG: 1021 and later. • The setting range for 1000-Series drives is different for different software versions. Refer to the Peripheral Devices & Options section of the drive instruction manual for more information.	1 (0 - 5)
F6-01 (03A2)	Communication Error Selection (For Energy-Saving Unit)	Selects drive response when the drive detects a <i>bUS</i> error during communications with the option. 1 : Stop 3 : Alarm Only	1 (1, 3)

No. (Hex.)	Name	Description	Default (Range)
F6-02 (03A3)	Comm External Fault [EF0] Detect (For Drive, For Energy-Saving Unit)	Selects the condition for external fault detection [EF0]. 0 : Always detected 1 : Detection during run only	0 (0, 1)
F6-03 (03A4)	Comm External Fault [EF0] Select (For Drive)	Selects drive response when the drive detects an external fault input [EF0] during option communications. 0 : Ramp to Stop 1 : Coast to Stop 2 : Fast Stop (Use C1-09) 3 : Alarm Only Note: When you set this parameter to 3 or 4, the drive will continue operation after it detects a fault. If you set this parameter to 3 or 4, make sure that you install an emergency stop switch.	1 (0 - 3)
F6-03 (03A4)	Comm External Fault [EF0] Select (For Energy-Saving Unit)	Selects drive response when the drive detects an external fault input [EF0] during option communications. 1 : Stop 3 : Alarm Only	1 (1, 3)
F6-06 (03A7)	Torque Reference/Limit by Comm (For Drive)	When you enable this parameter, d5-01 sets the drive to read the value as the Torque Limit value (d5-01 = 0) or the Torque Reference value (d5-01 = 1). 0 : Disabled 1 : Enabled Note: • Control method availability of this parameter is different for different product series. –1000-Series Drives: Parameter is available in CLV, AOLV/PM, and CLV/PM. In AOLV/PM, this value is read as the Torque Limit. –GA500 Drive: Parameter is available in OLV, AOLV/PM, and EZOLV. This value is read as the Torque Limit. –GA700, GA800 Drives: Parameter is available in OLV, CLV, AOLV, AOLV/PM, CLV/PM, and EZOLV. In OLV and EZOLV, this value is read as the Torque Limit. –CR700, CH700 Drives: Parameter is available in OLV, CLV, and AOLV. This value is read as the Torque Limit. • The setting specifies that network communications provide the torque reference or torque limit. If the PLC	0 (0, 1)

No. (Hex.)	Name	Description	Default (Range)
		does not supply a torque reference or torque limit, the motor cannot rotate.	
F6-06 (03A7)	Active Current Limit Selection from Communications Option (For Energy-Saving Unit)	Enables or disables the active current limit. 0 : Disabled 1 : Enabled Note: This parameter is available in the D1000.	0 (0, 1)
F6-07 (03A8)	MultiStep Ref Priority Select (For Drive)	0 : MultiStep References Disabled 1 : MultiStep References Enabled Note: Default setting is 1 for GA500.	0 (0, 1)
F6-08 (036A)	Comm Parameter Reset @Initialize (For Drive, For Energy-Saving Unit)	Sets the drive to reset communication-related parameters <i>F6-xx</i> and <i>F7-xx</i> to original default values when you use parameter <i>A1-03</i> to initialize the drive. 0 : No Reset - Parameters retained 1 : Reset - Back to factory default Note: The drive will not change this setting value when you set <i>F6-08</i> = 1 and use <i>A1-03</i> to initialize the drive.	0 (0, 1)
F6-20 (036B)	MECHATRO LINK Station Address (For Drive)	Sets the station number Note: • Cycle power for setting changes to go into effect. • All station addresses must be unique. If set to 20 or 3F, a Station Address Error [<i>AEr</i>] will occur and the ERR light will turn on. • All station addresses must be unique. If set to 60 or 7F, a Station Address Error [<i>AEr</i>] will occur and the ERR light will turn on.	21 (Hex.) (20 - 3F (Hex.))
F6-20 (036B)	MECHATRO LINK Station Address (For Energy-Saving Unit)	When installed to energy-saving units, sets the station address. Note: • Cycle power for setting changes to go into effect. • All station addresses must be unique. If set to 20 or 3F, a Station Address Error [<i>AEr</i>] will occur and the ERR light will turn on. • All station addresses must be unique. If set to 60 or 7F, a Station Address Error [<i>AEr</i>] will occur and the ERR light will turn on.	61 (Hex.) (60 - 7F (Hex.))
F6-21 (036C)	MECHATRO LINK Frame Size (For Drive, For Energy-Saving Unit)	0 : 32-byte 1 : 17-byte Note: Cycle power for setting changes to go into effect.	0 (0, 1)

6 MECHATROLINK Option Drive Parameters

No. (Hex.)	Name	Description	Default (Range)
F6-22 (036D)	MECHATRO LINK Link Speed (For Drive, For Energy-Saving Unit)	Sets the communications speed for MECHATROLINK-II. 0 : 10 Mbps 1 : 4 Mbps Note: Cycle power for setting changes to go into effect.	0 (0, 1)
F6-23 (036E)	MECHATRO LINK Monitor Select (E) (For Drive)	Set MEMOBUS/Modbus register to monitor SEL_MON of INV_CTL and INV_I/O. Note: • Cycle power for setting changes to go into effect. • Set byte 21, SEL_MON1/2 of INV_CTL, or byte 38, SEL_MON 3/4 and byte 39, SEL_MON 5/6 of INV_I/O to 0E (Hex.) to enable the register set with F6-23. Bytes of the response data enable the register content set with F6-23. Refer to the manual packaged with the drive for more information about registers that you can set.	0 (Hex.) (0 - FFFF (Hex.))
F6-24 (036F)	MECHATRO LINK Monitor Select (F) (For Drive)	Set MEMOBUS/Modbus register to monitor SEL_MON of INV_CTL and INV_I/O. Note: • Cycle power for setting changes to go into effect. • Set byte 21, SEL_MON1/2 of INV_CTL, or byte 38, SEL_MON 3/4 and byte 39, SEL_MON 5/6 of INV_I/O to 0F (Hex.) to enable the register set with F6-24. Bytes of the response data enable the register content set with F6-24. Refer to the manual packaged with the drive for more information about registers that you can set.	0 (Hex.) (0 - FFFF (Hex.))
F6-25 (03C9)	MECHATRO LINK Watchdog Error Sel (For Drive)	0 : Ramp to Stop 1 : Coast to Stop 2 : Fast Stop (Use C1-09) 3 : Alarm Only Note: When you set this parameter to 3 or 4, the drive will continue operation after it detects a fault. If you set this parameter to 3 or 4, make sure that you install an emergency stop switch.	1 (0 - 3)
F6-26 (03CA)	MECHATRO LINK bUS Errors Detected (For Drive)	When the option detects a bUS alarm for the number of times set in F6-26, it will detect <i>Option Communication Error [bUS]</i> .	2 (2 - 10)

7 Troubleshooting

◆ Drive-Side Error Codes

Drive-side error codes are shown on the drive keypad. These tables list causes of the errors and possible solutions: Refer to the drive Technical Manual for additional error codes that may appear on the drive keypad.

■ Faults

bUS [Option Communication Error], *E5* [MECHATROLINK Watchdog Timer Error], and *EF0* [Option Card External Fault from the option] can appear as an alarm or as a fault. When a fault occurs, the keypad ALM LED stays lit. When an alarm occurs, the ALM LED flashes.

If communication stops while the drive is running, answer these questions to help fix the problem:

- Did you correctly install the option?
- Did you correctly connect the communication line to the option? Is it loose?
- Is the PLC program working? Is the controller/PLC CPU stopped?
- Did a momentary power loss interrupt communications?

Code	Name	Causes	Possible Solutions
bUS	Option Communication Error	The drive did not receive a signal from the controller.	<ul style="list-style-type: none"> • Check for wiring errors. • Correct the wiring.
		Faulty communications wiring	
		An existing short circuit or communications disconnection	Check disconnected cables and short circuits and repair as needed
		A data error occurred due to electric interference	<ul style="list-style-type: none"> • Prevent noise in the control circuit, main circuit, and ground wiring. • If you identify a magnetic contactor as a source of noise, install a surge absorber to the contactor coil. • Use only recommended cables or other shielded line. Ground the shield on the controller side or the drive input power side. • Separate all communication wiring from drive power lines. Install an EMC noise filter to the drive power supply input. • Counteract noise in the master controller (PLC).
		Option is damaged	If there are no problems with the wiring and the error continues to occur, replace the option.

Code	Name	Causes	Possible Solutions
		Connection Time-out	<ul style="list-style-type: none"> The option Requested Packet Interval (RPI) timer timed out Make sure that RPI time is set properly
		Duplicate Station Address	Check if the option shares Station Address with at least one other node. Check the setting values of F6-20 [MECHATROLINK Station Address].
E5	MECHATROLINK Watchdog Timer Error	The drive detected a watchdog circuit exception while it received data from the controller.	<p>Check the MECHATROLINK cable connection. Check for wiring and how to counteract noise according to the following manuals by MECHATROLINK Members Association.</p> <ul style="list-style-type: none"> MECHATROLINK-II Installation Guide, MMATDEP011
EF0	Option Card External Fault	The option received an external fault from the controller.	<ol style="list-style-type: none"> Find the device that caused the external fault and remove the cause. Clear the external fault input from the controller.
		A programming error occurred on the controller side.	Examine the operation of the controller program.
oFA00	Option Card Connection Error (CN5-A)	The option connected to connector CN5-A is not compatible.	<ul style="list-style-type: none"> Connect the option to the correct connector. Use connector CN5-A when you connect the option. To use other options, refer to those option manuals. When an option is installed to the energy-saving unit, check the option software version is 6105 or later.
oFA01	Option Card Fault (CN5-A)	The option connected to option port CN5-A was changed during run.	<ol style="list-style-type: none"> De-energize the drive. Connect the option to the correct option port.
oFA03, oFA04	Option Card Error (CN5-A)	A fault occurred in the option.	<ol style="list-style-type: none"> De-energize the drive. Make sure that the option is correctly connected to the connector. If the problem continues, replace the option.
oFA30 to oFA43	Option Card Connection Error (CN5-A)	A fault occurred in the option.	<ol style="list-style-type: none"> De-energize the drive. Make sure that the option is correctly connected to the connector. If the problem continues, replace the option.

Code	Name	Causes	Possible Solutions
oFb00	Option Not Compatible with Port	The option connected to connector CN5-B is not compatible.	Connect the option to the correct connector. <ul style="list-style-type: none"> Use connector CN5-A when you connect the option. To use other options, refer to those option manuals.
oFb02	Option Fault	An option of the same type is already installed in option port CN5-A, CN5-B, or CN5-C.	Connect the option to the correct option port.
oFC00	Option Fault (CN5-B)	The option connected to connector CN5-C is not compatible.	Connect the option to the correct connector. <ul style="list-style-type: none"> Use connector CN5-A when you connect the option. To use other options, refer to those option manuals.
oFC02	Option Fault	An option of the same type is already installed in option port CN5-A, CN5-B, or CN5-C.	Connect the option to the correct option port.

■ Minor Faults and Alarms

Code	Name	Causes	Possible Solutions
AER	Station Address Address Setting Error	The node address for the option is not in the permitted setting range.	Set <i>F6-20</i> correctly.
CALL	Serial communication transmission error	The communications cable wiring is incorrect.	<ul style="list-style-type: none"> Check for wiring errors. Correct the wiring.
		An existing short circuit or communications disconnection	Check disconnected cables and short circuits and repair as needed.
		Programming error on the master side	Check communications at start-up and correct programming errors.
		Communication circuitry is damaged.	<ul style="list-style-type: none"> Perform a self-diagnostics check If the problem continues, replace either the control board or the entire drive. For instructions on replacing the control board, contact Yaskawa or a Yaskawa representative.
CyPo	Cycle Power to Active Parameters	Comm. Option Parameter Not Upgraded	Re-energize the drive to update the communication option parameters. <p>Note:</p> <p>If the option software version is not compatible or if you install an incorrect option to the drive, it will trigger an alarm.</p>

8 European Standards



Figure 8.1 CE Mark

The CE mark indicates compliance with European safety and environmental regulations. European standards include the Machinery Directive for machine manufacturers, the Low Voltage Directive for electronics manufacturers, and the EMC guidelines for controlling noise.

It is required for engaging in business and commerce in Europe.

This option displays the CE mark based on the EMC guidelines.

EMC Guidelines: 2014/30/EU

Drives used in combination with this option and devices used in combination with the drive must also be CE certified and display the CE mark.

When using drives displaying the CE mark in combination with other devices, it is ultimately the responsibility of the user to ensure compliance with CE standards. Verify that conditions meet European standards after setting up the device.

◆ EMC Guidelines Compliance

This option is tested according to European standards EN 61800-3:2004/A1:2012 and complies with EMC guidelines. The CE marking is declared based on the harmonized standards.

■ EMC Guidelines Installation Conditions

Verify the following installation conditions to ensure that other devices and machinery used in combination with this option and drives also comply with EMC guidelines:

1. Use dedicated shield cable for the option and external device (encoder, I/O device, master), or run the wiring through a metal conduit.

2. Keep wiring as short as possible and ground the largest possible surface area of the shield to the metal panel as specified by [Figure 8.2](#) and [Figure 8.3](#).

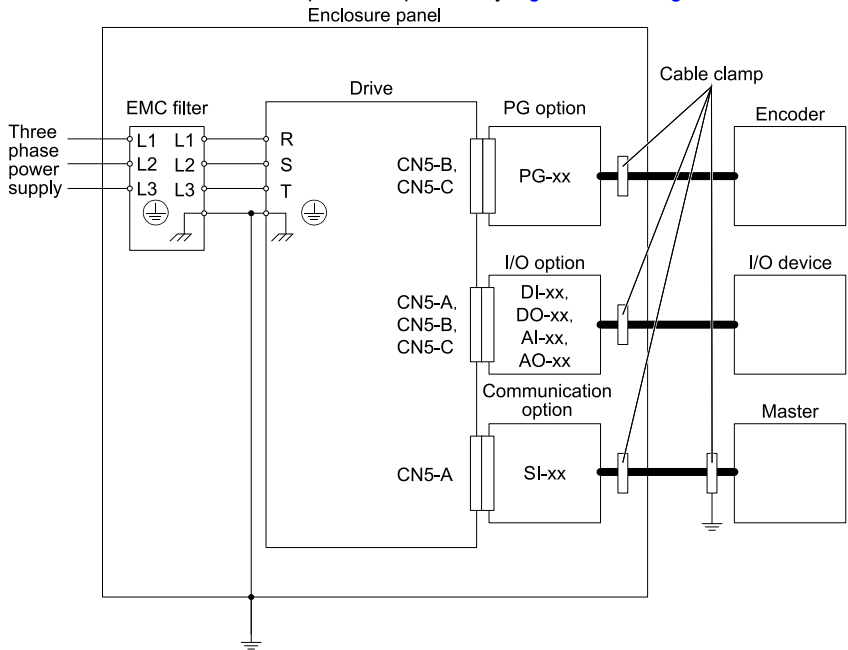


Figure 8.2 Option Installation for CE Compliance: 1000-Series, GA700, GA800, CR700, CH700

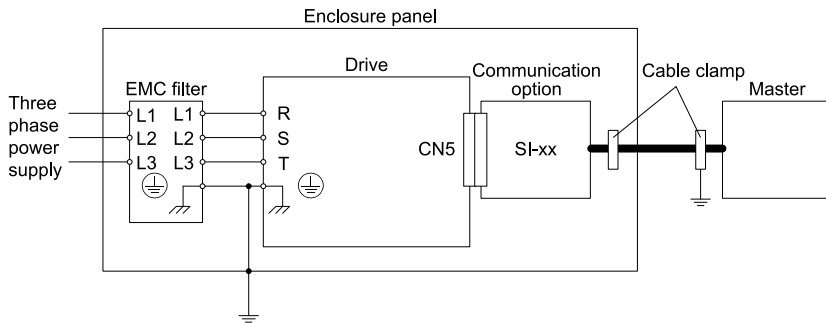
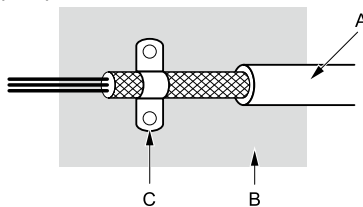


Figure 8.3 Option Installation for CE Compliance with GA500

3. Ground the largest possible surface area of the shield to the metal panel. Use cable clamps if possible.



A - Braided shield cable
B - Metal panel

C - Cable clamp (conductive)

Figure 8.4 Ground Area

9 Specifications

◆ Specifications

Table 9.1 Option Specifications

Items	Description
Specifications	SI-T3
Access mode	Start-stop synchronization, master/slave method
Communication speed	10 Mbps (MECHATROLINK-II), 4 Mbps (MECHATROLINK-I)
Transmission Cycle	When installed to drives: 500 μ s - 8 ms ^{*1} When installed to energy-saving unit: 250 μ s - 8 ms ^{*2}

Items	Description
Maximum transmission distance	50 m (164 ft) *3
Minimum wiring distance between stations	0.5 m (19.75 in)
Data length	17-byte data transmission or 32-byte data transmission *4
Maximum number of stations	30 *3 *5
Ambient Temperature	-10°C to +50°C (14°F to 122°F)
Humidity	Up to 95% RH (no condensation)
Storage Temperature	-20°C - +60°C (-4°F to 140°F) allowed for short-term transport of the product
Area of use	Indoors in an area that does not have: <ul style="list-style-type: none"> • Oil mist, corrosive gas, flammable gas, or dust • Radioactive materials or flammable materials, including wood • Harmful gas or fluids • Salt • Direct sunlight • Falling foreign objects
Altitude	Up to 1000 m (3280 ft)

*1 For MECHATROLINK-I, a cycle is 2 ms.

For MECHATROLINK-II, a cycle is 1 ms to 8 ms for a 32-byte data transmission, and 500 μs to 8 ms for a 17-byte data transmission.

*2 For MECHATROLINK-I, a cycle is 2 ms.

At the maximum transmission distance of 50 m (164.9 in), the maximum number of stations is 15.

*3 For MECHATROLINK-I, only a 17-byte data transmission can be selected.

*4 The maximum number of connectable stations changes depending on the types and settings of the host controller, baud rate, or communications cycle.

Communications cycle: Integral multiple of transmission cycles (depending on the host controller settings).

For details, refer to the manuals of your controller.

Example: If the host controller is an MP2300

- For MECHATROLINK-II (32-byte transmission, 2.0 ms communications cycle): 21 stations max. (21 stations can be set, but then the maximum number of connectable drives will be 16.)
- For MECHATROLINK-II (32-byte transmission, 1.0 ms communications cycle): 9 stations max.
- For MECHATROLINK-II (17-byte transmission, 1.0 ms communications cycle): 15 stations max.
- For MECHATROLINK-I: 14 stations max.

10 Disposal

◆ Disposal Instructions

Correctly dispose of the product and packing material as specified by applicable regional, local, and municipal laws and regulations.

◆ WEEE Directive



The wheeled bin symbol on this product, its manual, or its packaging identifies that you must recycle it at the end of its product life.

You must discard the product at an applicable collection point for electrical and electronic equipment (EEE). Do not discard the product with usual waste.

Revision History

Date of Publication	Revision Number	Section	Revised Content
October 2019	-	-	First Edition This manual is created base on TOBP C730600 86F<8>-0

YASKAWA AC Drive Option MECHATROLINK-II Installation Manual

DRIVE CENTER (INVERTER PLANT)

2-13-1, Nishimiyaichi, Yukuhashi, Fukuoka,
824-8511, Japan
Phone: +81-930-25-2548 Fax: +81-930-25-3431
<https://www.yaskawa.co.jp>

YASKAWA ELECTRIC CORPORATION

New Pier Takeshiba South Tower, 1-16-1, Kaigan,
Minatoku, Tokyo, 105-6891, Japan
Phone: +81-3-5402-4502 Fax: +81-3-5402-4580
<http://www.yaskawa.co.jp>

YASKAWA AMERICA, INC.

2121, Norman Drive South, Waukegan, IL 60085, U.S.A.
Phone: +1-800-YASKAWA (927-5292) or +1-847-887-7000
Fax: +1-847-887-7310
<http://www.yaskawa.com>

YASKAWA ELÉTRICO DO BRASIL LTDA.

777, Avenida Piraporinha, Diadema, São Paulo,
09950-000, Brasil
Phone: +55-11-3585-1100 Fax: +55-11-3585-1187
<http://www.yaskawa.com.br>

YASKAWA EUROPE GmbH

Hauptstraße 185, 65760 Eschborn, Germany
Phone: +49-6196-569-300 Fax: +49-6196-569-398
E-mail: info@yaskawa.eu
<http://www.yaskawa.eu.com>

YASKAWA ELECTRIC KOREA CORPORATION

35F, Three JFC, 10 Gukjejeumyung-ro,
Yeongdeungpo-gu, Seoul, 07326, Korea
Phone: +82-2-784-7844 Fax: +82-2-784-8495
<http://www.yaskawa.co.kr>

YASKAWA ASIA PACIFIC PTE. LTD.

30A, Kallang Place, #06-01, 339213, Singapore
Phone: +65-6282-3003 Fax: +65-6289-3003
<http://www.yaskawa.com.sg>

YASKAWA ELECTRIC (THAILAND) CO., LTD.

59, 1st-5th Floor, Flourish Building, Soi Ratchadapisek 18,
Ratchadapisek Road, Huaykwang, Bangkok, 10310,
Thailand
Phone: +66-2-017-0099 Fax: +66-2-017-0799
<http://www.yaskawa.co.th>

YASKAWA ELECTRIC (CHINA) CO., LTD.

22F, Link Square 1, No.222, Hubin Road, Shanghai,
200021, China
Phone: +86-21-5385-2200 Fax: +86-21-5385-3299
<http://www.yaskawa.com.cn>

YASKAWA ELECTRIC (CHINA) CO., LTD. BEIJING OFFICE

Room 1011, Tower W3 Oriental Plaza, No. 1,
East Chang An Ave.,
Dong Cheng District, Beijing, 100738, China
Phone: +86-10-8518-4086 Fax: +86-10-8518-4082

YASKAWA ELECTRIC TAIWAN CORPORATION

12F, No. 207, Sec. 3, Beishin Rd., Shindian Dist.,
New Taipei City 23143, Taiwan
Phone: +886-2-8913-1333
Fax: +886-2-8913-1513 or +886-2-8913-1519
<http://www.yaskawa.com.tw>

YASKAWA INDIA PRIVATE LIMITED

#17/A, Electronics City, Hosur Road, Bengaluru,
560 100 (Karnataka), India
Phone: +91-80-4244-1900 Fax: +91-80-4244-1901
<http://www.yaskawaindia.in>

YASKAWA

YASKAWA ELECTRIC CORPORATION

In the event that the end user of this product is to be the military and said product is to be employed in any weapons systems or the manufacture thereof, the export will fall under the relevant regulations as stipulated in the Foreign Exchange and Foreign Trade Regulations. Therefore, be sure to follow all procedures and submit all relevant documentation according to any and all rules, regulations and laws that may apply.

Specifications are subject to change without notice for ongoing product modifications and improvements.

© 2019 YASKAWA ELECTRIC CORPORATION



TOEPC73060086

MANUAL NO. TOEP C730600 86A <0>-0
Published in Japan October 2019
19-6-21
Original Instructions